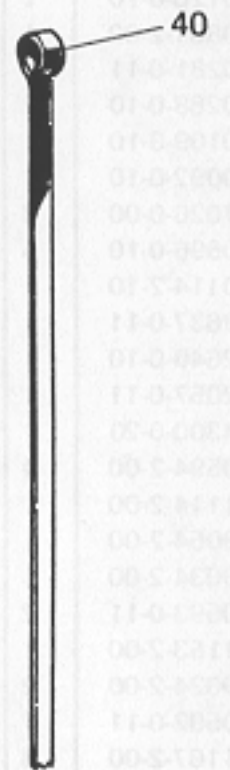
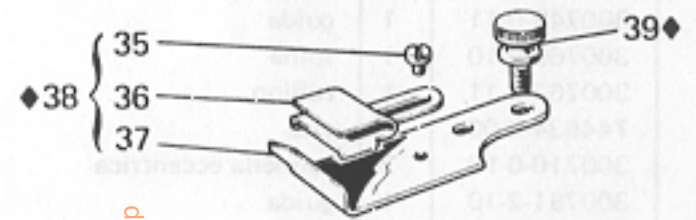
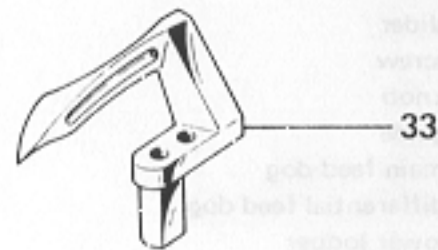
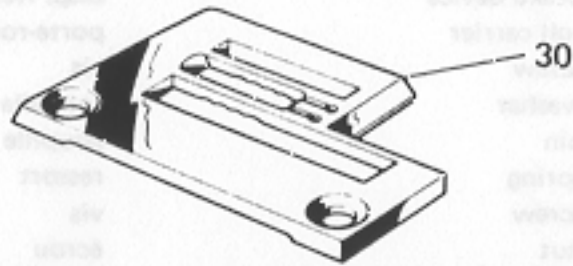
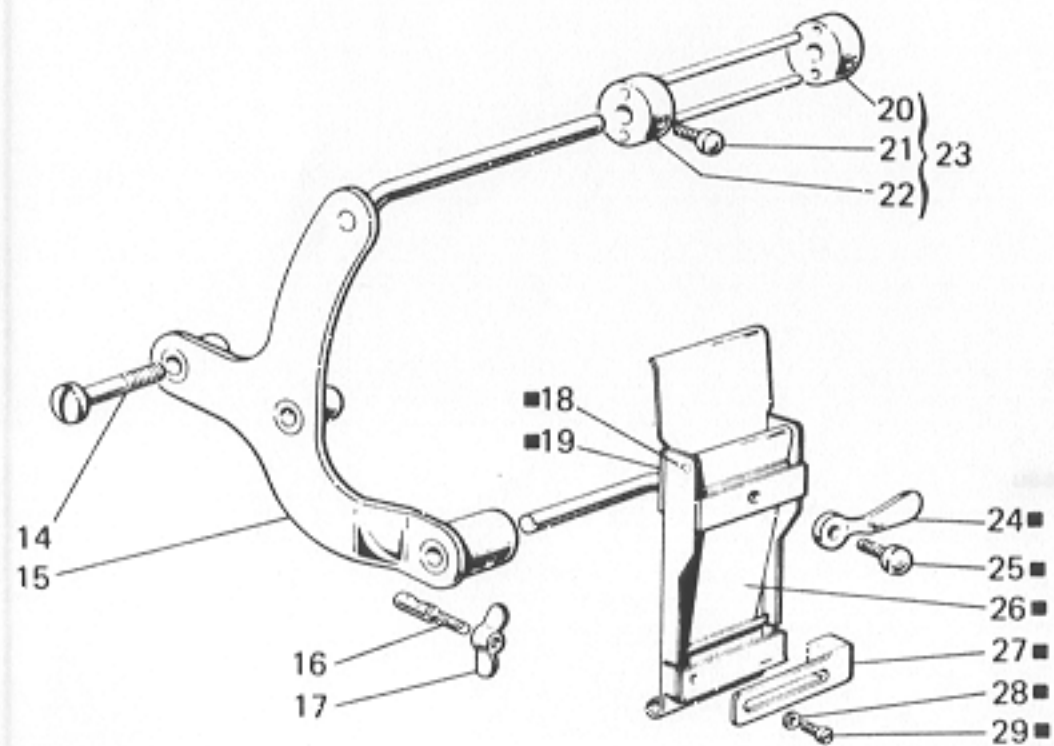
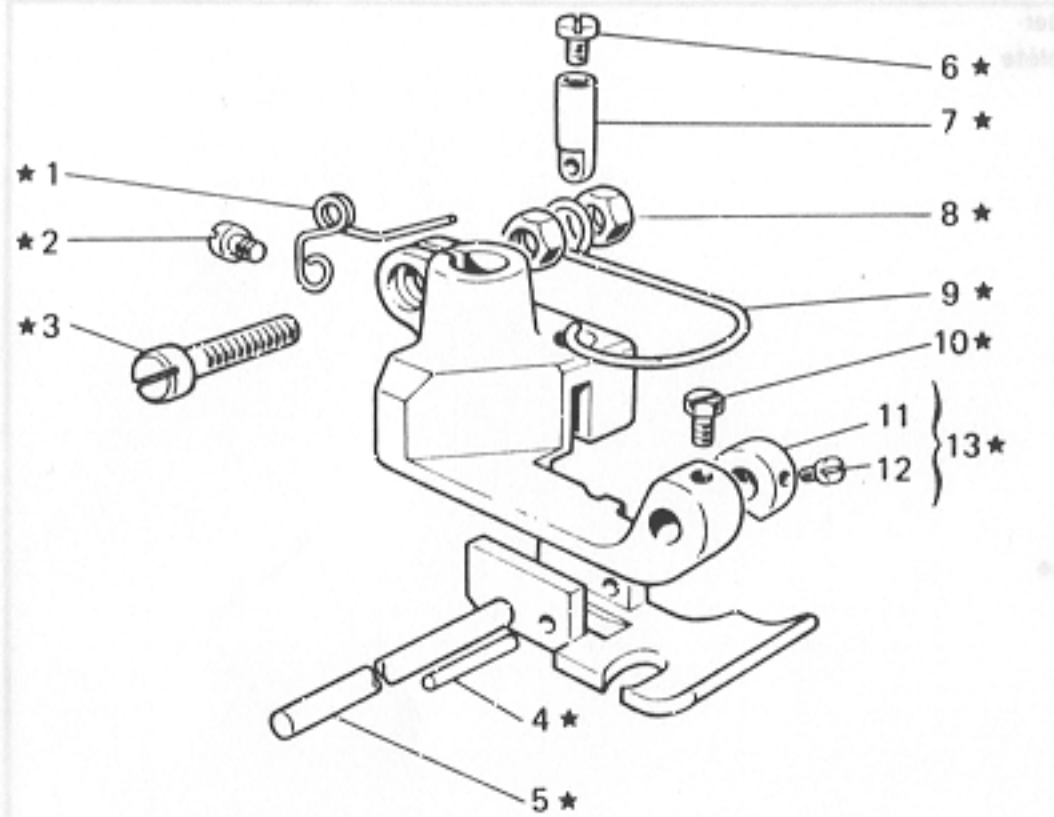


From the library of: Diamond Needle Corp

Fig. N. Abb. N.	Part. N. Piece N. Bestell N. Pieza N.	Qt. Anzahl	DESCRIZIONE	DESCRIPTION	DESCRIPTION	BENENNUNG	DESCRIPCION
43	201143-0-10	4	anello di tenuta	circlip	circlip		
44	308287-0-00	1	anello di tenuta	retainer ring	bague d'étanchéité		
45	704347-0-00	1	rondella	washer	rondelle		
46	300467-0-10	2	anello di registro	adjustment ring	bague de réglage		
47	308026-2-00	1	eccentrico con viti fig. 39	eccentric with screws fig. 39	excentrique avec vis fig. 39		
48	729011-2-00	1	vite	screw	vis		
49	303459-2-11	1	braccio	arm	bras		
50	704218-2-00	1	rondella	washer	rondelle		
51	727215-0-00	3	vite	screw	vis		
52	308971-3-00	1	tendifilo a camma con viti	cam thread take-up with screws	tendeur du fil à came avec vis		
53	300377-0-10	1	vite	screw	vis		
54	308119-0-00	1	anello di tenuta	retainer ring	bague d'étanchéité		
55	308967-2-00	1	anello limitatore	limiter ring	bague		
56	745827-2-00	4	vite	screw	vis		
57	308015-0-00	1	manicotto	coupling	manchon		

From the library of: Diamond Needle Corp



From the library of: Diamond Needle Corp

Fig. N. Abb. N.	Part. N. Bestell N. Piece N. Pieza N.	Qt. Anzahl	DESCRIZIONE	DESCRIPTION	DESCRIPTION	BENENNUNG	DESCRIPCION
★	306642-3-00	1	piedino completo	presserfoot assembly	pied-presseur complet		
▲	930355-4-10	1	gruppo frenaggio	brake assembly	group freinage		
■	930366-4-10	1	dispositivo frenaggio	brake device	disp. freinage		
◆	310032-4-00	1	guida del materiale completa	fabric guide assembly	guide du tissu complète		
1	300119-0-11	1	molla	spring	ressort		
2	721411-2-00	1	vite	screw	vis		
3	741781-2-00	1	vite	screw	vis		
4	300758-0-10	1	spina	pin	goupille		
5	302552-0-11	1	perno	pin	pivot		
6	741414-2-00	1	vite	screw	vis		
7	300757-0-11	1	snodo	knuckle	axe		
8	733504-2-00	2	dado	nut	écrou		
9	990808-0-00	1	salvadita	protection	protection		
10	740210-2-00	1	vite	screw	vis		
11	300672-0-11	1	anello	ring	anneau		
12	741425-2-00	1	vite	screw	vis		
13	300673-4-11	1	anello con vite	ring with screw	anneau avec vis		
14	930281-0-11	2	vite	screw	vis		
15	930361-3-10	1	sostegno	support	support		
16	930067-0-10	1	spina	pin	goupille		
17	930136-0-10	1	dado con alette	wing nut	écrou papillon		
18	930118-0-10	1	pernetto	pin	pivot		
19	930363-3-10	1	corpo completo	body assembly	corps complet		
20	930094-0-10	1	morsetto	clamp	porte-aiguille		
21	930096-0-10	2	pomolo	knob	pommeau		
22	930358-2-10	1	morsetto con spina	clamp with pin	porte-aiguille avec goupille		
23	930359-4-10	1	guida	guide	guide		
24	930308-0-10	1	leva	lever	levier		
25	930119-0-10	1	pomolo	knob	pommeau		
26	930116-2-10	1	lamierino	sheet	plaque		
27	930364-0-10	1	cursore	slider	curseur		
28	704104-2-00	1	rondella	washer	rondelle		
29	741519-0-00	1	vite	screw	vis		
30	302648-0-10	1	piacca ago	needle plate	plaque aiguille		
31	300133-0-10	1	griffa principale	main feed dog	griffe principale		
32	300135-0-10	1	griffa differenziale	differential feed dog	griffe différentielle		
33	302057-0-11	1	crochet inferiore	lower looper	crochet inférieur		
34	784300-0-20	1	targhetta classe testa	head class plate	plaque classe tête		
35	742302-4-00	1	vite	screw	vis		
36	301035-2-10	1	guida del materiale	fabric guide	guide du tissu		
37	302583-0-10	1	guida	guide	guide		
38	302584-4-10	1	guida completa	guide assembly	guide complète		
39	300917-0-10	2	pomolo	knob	pommeau		
40	930105-0-10	1	astina	rod	tige		

From the library of: Diamond Needle Corp

Fig. N. Abb. N.	Part. N. Bestell N. Piece N. Pieza N.	Qt. Anzahl	DESCRIZIONE	DESCRIPTION	DESCRIPTION	BENENNUNG	DESCRIPCION
37	Tav. 3 309230-0-00	1	piastra piano di lavoro	working plate	plaque plan de travail		
74	Tav. 4 740251-0-00	1	vite per settore differenziale	screw	vis		
75	746002-2-00	1	dado per settore differenziale	nut	écrou		
▲	Tav. 8 309807-4-00	1	morsetto porta aghi completo	needle clamp assembly	porte-aiguilles complet		
30	309757-2-00	1	morsetto porta aghi	needle clamp	porte-aiguilles		
32	766000-6-90	2	ago sist. Rim 63 fin. 90	needle syst. Rim 63 size 90	aiguille syst. Rim 63 jauge 90		
			PEZZI ANNULLATI	CANCELLED PARTS	PIECES ANNULEES		
11	Tav. 3 302354-0-10	2	vite	screw	vis		
31	Tav. 15 991322-4-00	1	porta rotolo completo	roll carrier assembly	porte-rouleau complet		

From the library of Diamond Needle Corp

TAV. 4

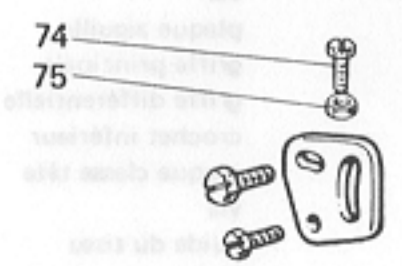
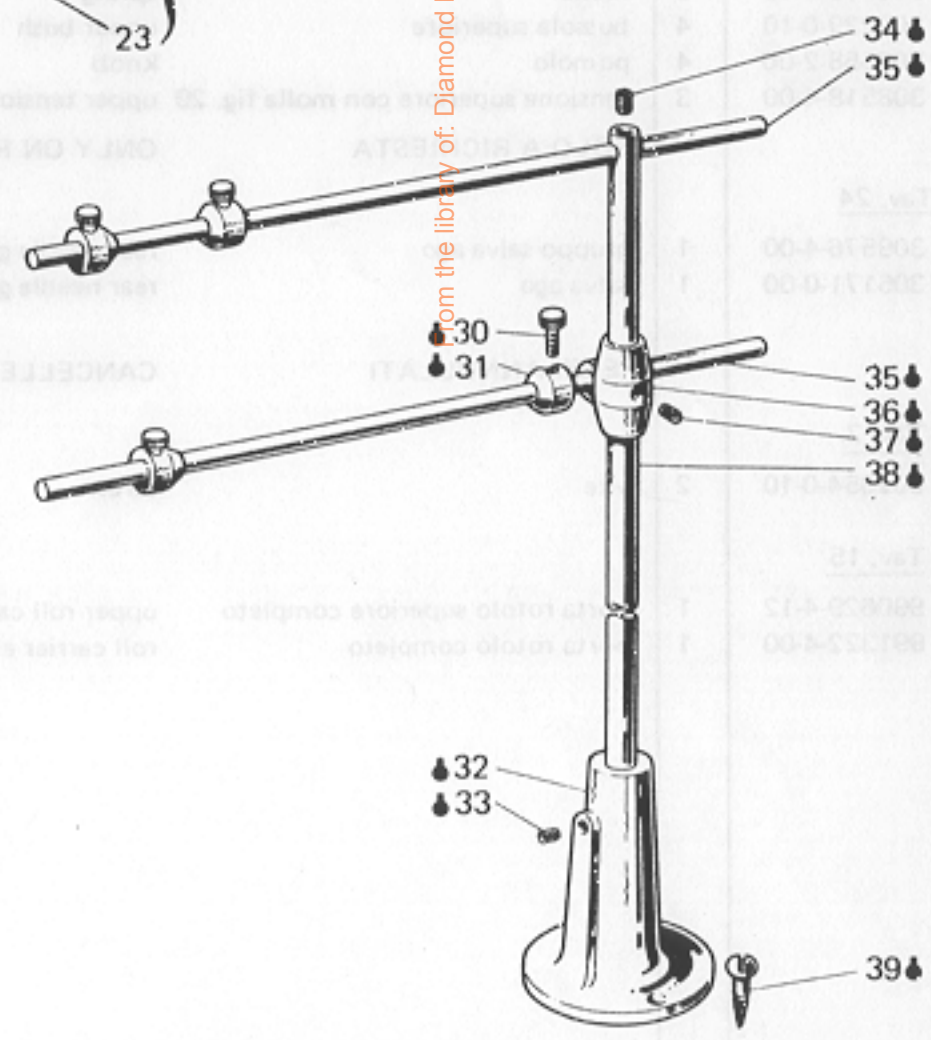
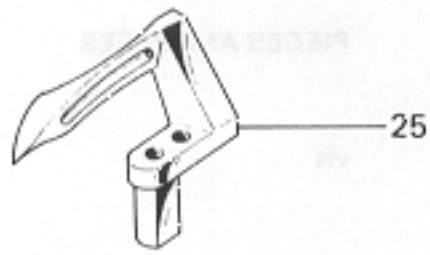
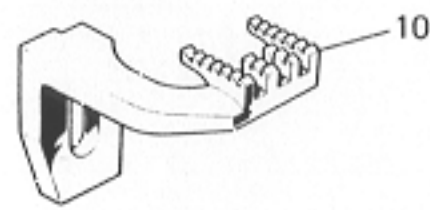
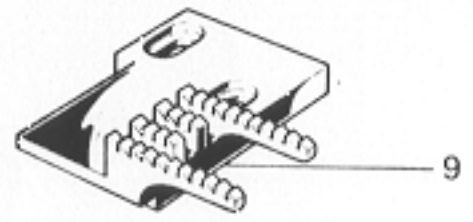
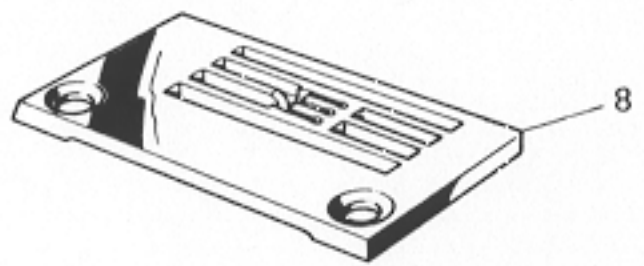
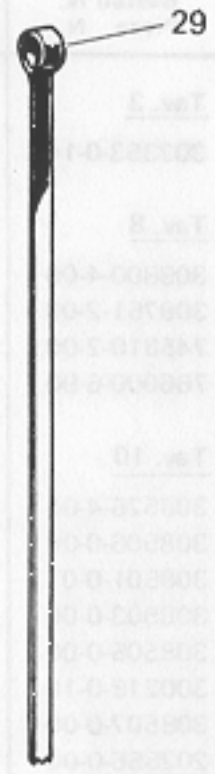
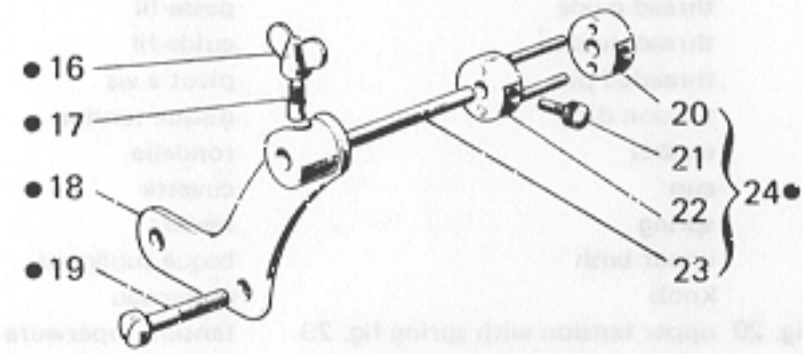
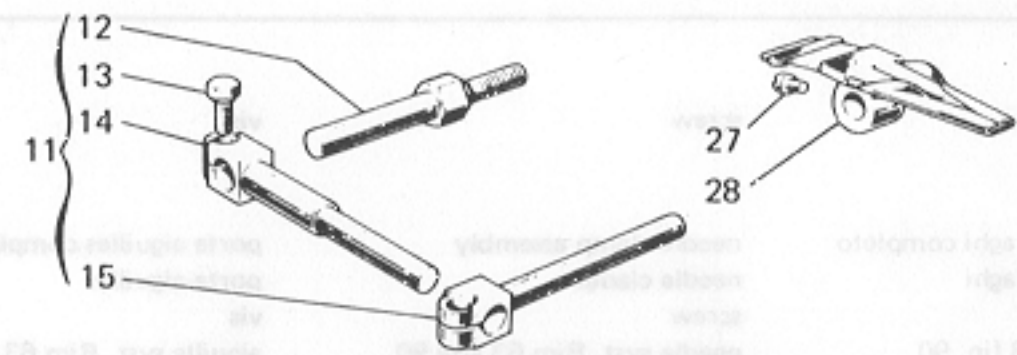
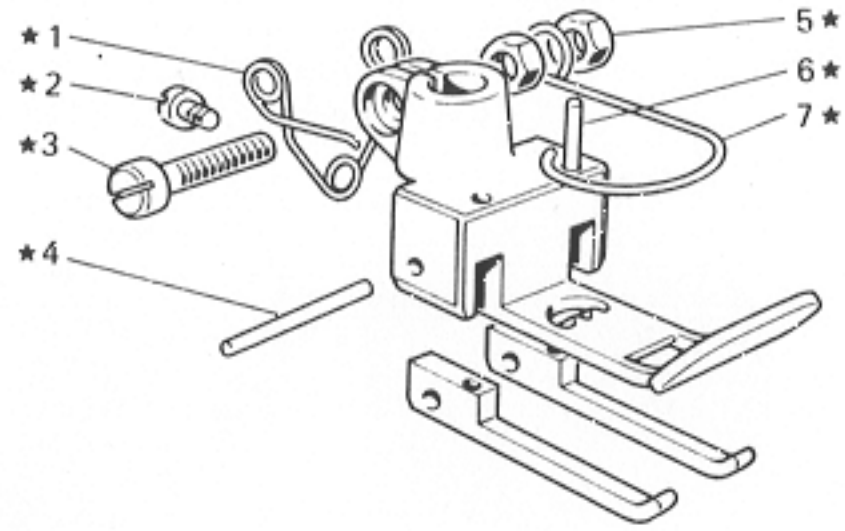


Fig. N. Abb.	Part. N. Piece N. Bestell N. Pieza N.	Qt. Anzshl	DESCRIZIONE	DESCRIPTION	DESCRIPTION	BENENNUNG	DESCRIPCION
14	<u>Tav. 3</u> 302353-0-10	1	vite	screw	vis		
▲	<u>Tav. 8</u> 309800-4-00	1	morsetto porta aghi completo	needle clamp assembly	porte aiguilles complet		
30	309751-2-00	1	morsetto porta aghi	needle clamp	porte-aiguilles		
31	745810-2-00	3	vite	screw	vis		
32	766000-6-90	3	ago sist. Rim 63 fin. 90	needle syst. Rim 63 size 90	aiguille syst. Rim 63 jauge 90		
★	<u>Tav. 10</u> 308526-4-00	1	gruppo tensioni	tensions assembly	groupe tensions		
20	308506-0-00	4	pernetto	pin	pivot		
21	308501-0-01	4	passafilo	thread guide	passe-fil		
22	308503-0-00	4	guidafilo	thread guide	guide-fil		
25	308505-0-00	4	perno a vite	threaded pin	pivot à vis		
26	300218-0-10	8	disco tensione	tension disc	disque tension		
27	308507-0-00	4	rondella	washer	rondelle		
28	202556-0-00	4	scodellino	cup	cuvette		
29	200710-0-10	3	molla	spring	ressort		
30	202229-0-10	4	bussola superiore	upper bush	bague supérieur		
31	202558-2-00	4	pomolo	knob	potmeau		
33	308518-4-00	3	tensione superiore con molla fig. 29	upper tension with spring fig. 29	tension supérieure avec ressort fig. 29		
			SOLO A RICHIESTA	ONLY ON REQUEST	SEULEMENT SUR DEMANDE		
■	<u>Tav. 24</u> 309576-4-00	1	gruppo salva ago	rear needle guard assembly	groupe protège-aiguille		
73	305171-0-00	1	salva ago	rear needle guard	protège-aiguille		
			PEZZI ANNULLATI	CANCELLED PARTS	PIECES ANNULEES		
11	<u>Tav. 3</u> 302354-0-10	2	vite	screw	vis		
★	<u>Tav. 15</u> 990629-4-12	1	porta rotolo superiore completo	upper roll carrier assembly	porte-rouleau sup. complet		
31	991322-4-00	1	porta rotolo completo	roll carrier assembly	porte-rouleau complet		

From the library of: Diamond Needle Corp



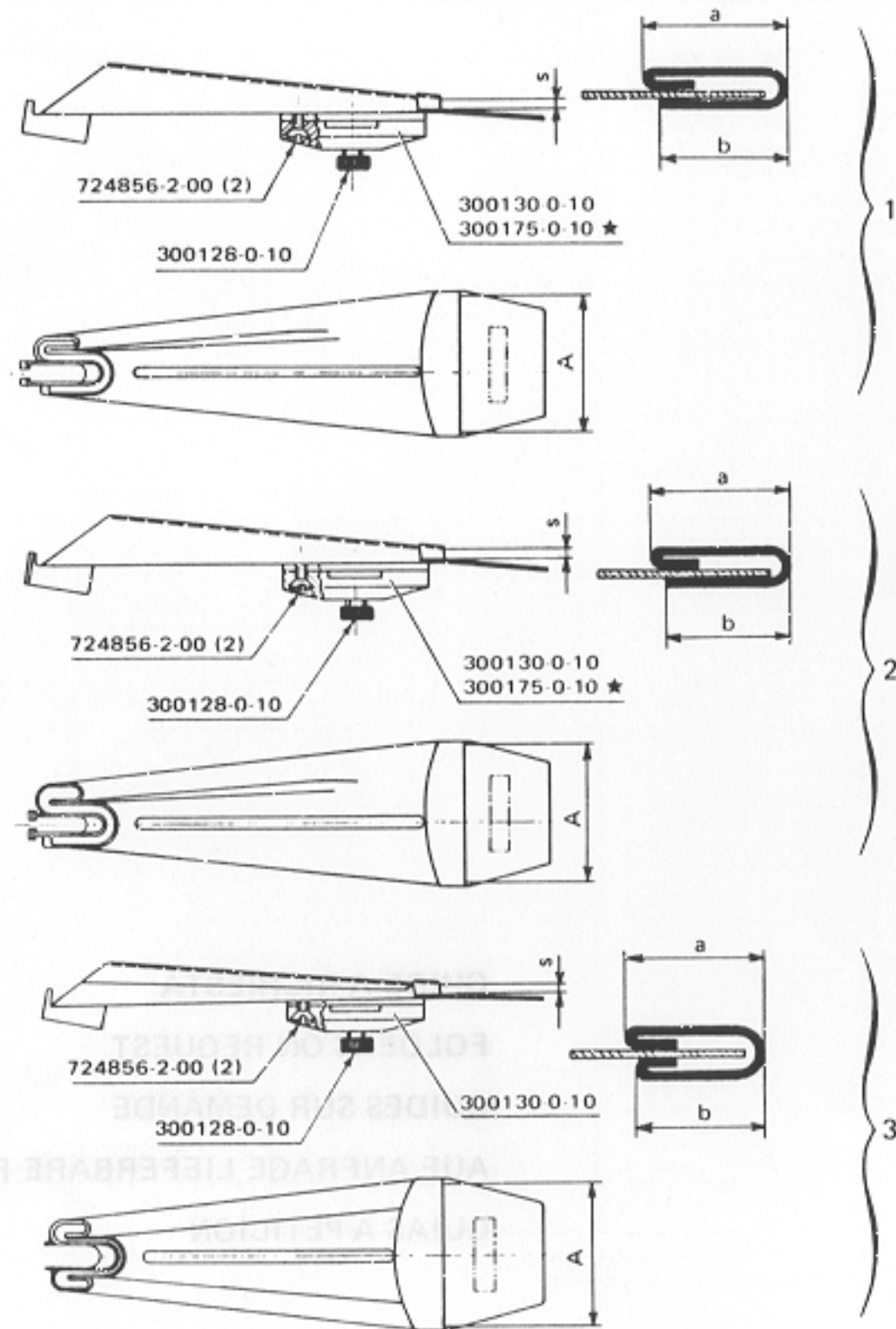
From the library of: Diamond Needle Corp

ig. N. Abb. N.	Part. N. Bestell N. Piece N. Pieza N.	Qt. Anzahl	DESCRIZIONE	DESCRIPTION	DESCRIPTION	BENENNUNG	DESCRIPCION
★	306624-3-01	1	piedino completo	presserfoot assembly	pied-presseur complet		
●	930428-4-10	1	frenaggio completo	brake assembly	group freinage		
⚙	990650-4-12	1	porta rotolo completo	roll carrier assembly	porte-rouleau complet		
1	300291-0-11	1	molla	spring	ressort		
2	741620-2-00	1	vite	screw	vis		
3	741781-2-00	1	vite	screw	vis		
4	706501-0-00	1	spina	pin	goupille		
5	733504-2-00	2	dado	nut	écrou		
6	306688-0-00	2	spina	pin	goupille		
7	990808-0-00	1	salvadita	protection	protection		
8	302423-0-00	1	placca ago	needle plate	plaque à aiguille		
9	300563-0-12	1	griffa principale	main feed dog	griffe principale		
10	300564-0-11	1	griffa differenziale	differential feed dog	griffe différentielle		
11	930431-4-10	1	supporto completo	support assembly	support complet		
12	304107-0-10	1	perno	pin	pivot		
13	302486-0-10	2	vite	screw	vis		
14	930430-0-10	1	supporto	support	support		
15	930432-0-10	1	supporto	support	support		
16	930136-0-10	1	dado	nut	écrou		
17	930067-0-10	1	spina	pin	goupille		
18	930427-3-10	1	sostegno	support	support		
19	930281-0-11	2	vite	screw	vis		
20	930094-0-10	1	morsetto	clamp	porte-aiguille		
21	930096-0-10	2	pomolo	knob	pommeau		
22	930090-2-10	1	morsetto con spina	clamp with pin	porte-aiguille avec goupille		
23	930081-0-10	1	spina	pin	goupille		
24	930079-4-10	1	guida	guide	guide		
25	302057-0-11	1	crochet inferiore	lower looper	crochet inférieur		
26	784300-0-20	1	targhetta classe testa	head class plate	plaque classe tête		
27	721435-2-00	1	vite	screw	vis		
28	302422-3-10	1	guida con vite	guide with screw	guide avec vis		
29	930105-0-10	1	astina	rod	tige		
30	990596-0-10	4	pomolo	knob	pommeau		
31	990594-2-00	4	anello conico con pomolo	ring cone with knob	bague conique avec pommeau		
32	991114-2-00	1	basetta con vite	base with screw	base avec vis		
33	729054-2-00	1	vite	screw	vis		
34	729034-2-00	1	vite	screw	vis		
35	990593-0-11	2	spina	pin	goupille		
36	991153-2-00	1	supporto con viti	support with screw	support avec vis		
37	729024-2-00	2	vite	screw	vis		
38	990592-0-11	1	asta	rod	tige		
39	731107-2-00	3	vite da legno	screw	vis		

GUIDE A RICHIESTA

GUIDES ON REQUEST

GUIDES SUR DEMANDE



a = Larghezza superiore collareto
A = Larghezza collareto non ripiegato
s = Passaggio collareto
b = Larghezza inferiore collareto

Fig. N.
Abb. N.

Part. N.
Bestell. N.
Piece N.
Pieza N.

a

A

s

b

1	761001-0-00	10,5	27	1,3	9
	761002-0-00	12,5	32	1,7	11
	761003-0-00	12,5	32	2,7	11
	761004-0-00	16	38	1,7	14
	761005-0-00	16	38	2,7	14
	761007-0-00	19	44,5	2	17,5
	761008-0-00	19	44,5	3	17,5
	761010-0-00	22	51	2	21
	761011-0-00	22	51	3	21
	761013-0-00	22,5	57	2	24
	761014-0-00	22,5	57	3,2	24
	761016-0-00	32	70	2	30
	761019-0-00	37	80	2	35
	★ 761022-0-00	47	100	3	44
	★ 761024-0-00	57	120	3	54
★ 761026-0-00	62	130	3	59	
2	761101-0-00	12,5	32	1,7	11
	761102-0-00	12,5	32	2,7	11
	761104-0-00	16	38	1	14
	761105-0-00	16	38	2,7	14
	761107-0-00	19	44,5	2	17,5
	761108-0-00	19	44,5	3	17,5
	761110-0-00	22	51	2	21
	761111-0-00	22	51	3	21
	761113-0-00	22,5	57	2	24
	761114-0-00	22,5	57	3,2	24
	761117-0-00	32	70	2	30
	761118-0-00	32	70	3,7	30
	761120-0-00	37	80	2	35
	761121-0-00	37	80	3,7	35
	★ 761124-0-00	47	100	3	44
★ 761126-0-00	57	120	3	54	
★ 761127-0-00	62	130	3	59	
3	761601-0-00	12	38	2	11
	761602-0-00	12	38	3	11
	761603-0-00	16	45	2	15
	761604-0-00	18	52	2	17
	761606-0-00	22	60	2	21
	761607-0-00	22	60	3,7	21

From the library of: Diamond Needle Corp

DESCRIPTION

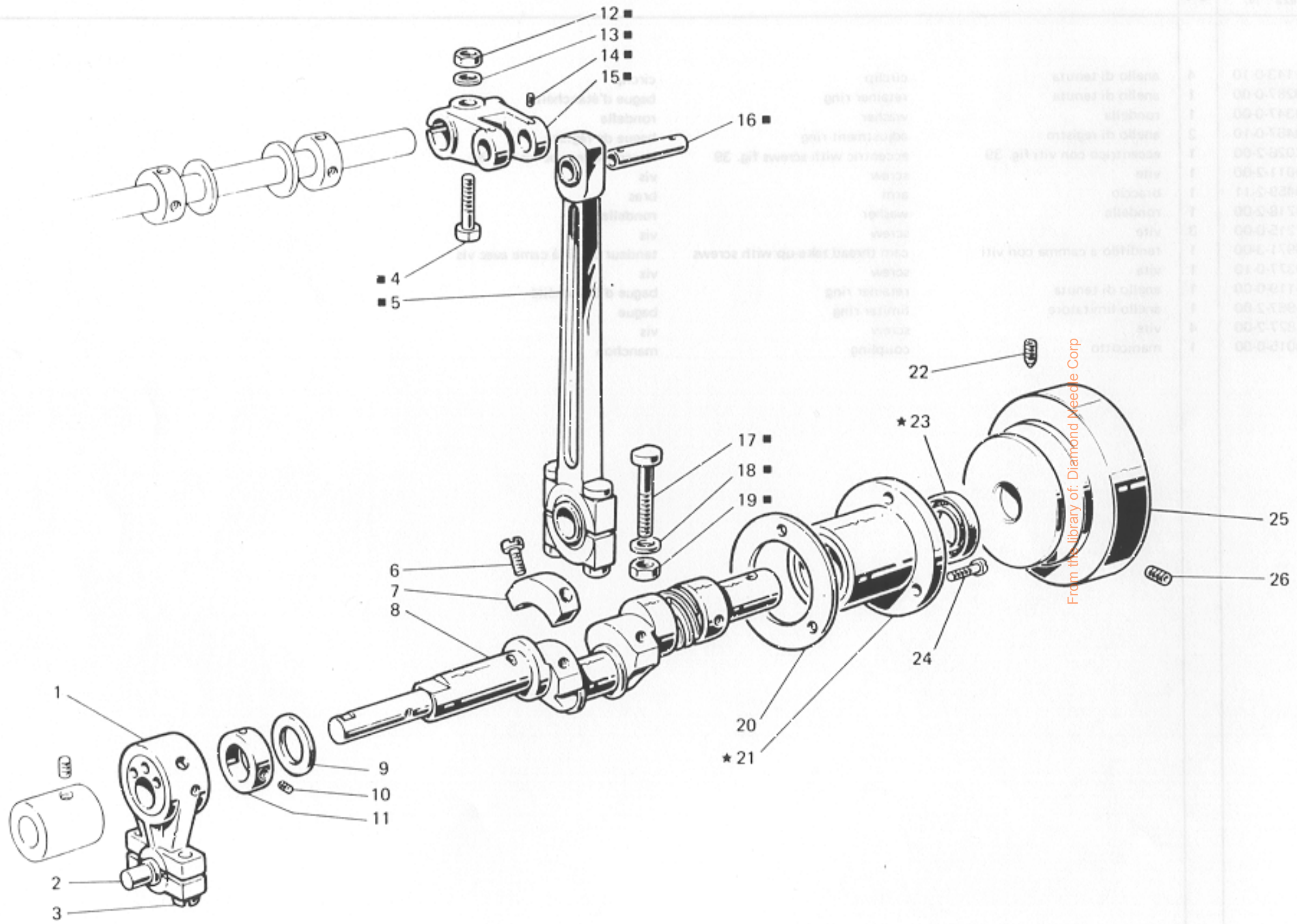
BENENNUNG

DESCRIPTION

DESCRIPTION

DESCRIZIONE

QTY	Part No.	Part Name	Part No.	Part Name
1	30010-00	manicotto	30010-00	manicotto
1	30011-00	vis	30011-00	vis
1	30012-00	vis	30012-00	vis
1	30013-00	vis	30013-00	vis
1	30014-00	vis	30014-00	vis
1	30015-00	vis	30015-00	vis
1	30016-00	vis	30016-00	vis
1	30017-00	vis	30017-00	vis
1	30018-00	vis	30018-00	vis
1	30019-00	vis	30019-00	vis
1	30020-00	vis	30020-00	vis
1	30021-00	vis	30021-00	vis
1	30022-00	vis	30022-00	vis
1	30023-00	vis	30023-00	vis
1	30024-00	vis	30024-00	vis
1	30025-00	vis	30025-00	vis
1	30026-00	vis	30026-00	vis
1	30027-00	vis	30027-00	vis
1	30028-00	vis	30028-00	vis
1	30029-00	vis	30029-00	vis
1	30030-00	vis	30030-00	vis
1	30031-00	vis	30031-00	vis
1	30032-00	vis	30032-00	vis
1	30033-00	vis	30033-00	vis
1	30034-00	vis	30034-00	vis
1	30035-00	vis	30035-00	vis
1	30036-00	vis	30036-00	vis
1	30037-00	vis	30037-00	vis
1	30038-00	vis	30038-00	vis
1	30039-00	vis	30039-00	vis
1	30040-00	vis	30040-00	vis
1	30041-00	vis	30041-00	vis
1	30042-00	vis	30042-00	vis
1	30043-00	vis	30043-00	vis
1	30044-00	vis	30044-00	vis
1	30045-00	vis	30045-00	vis
1	30046-00	vis	30046-00	vis
1	30047-00	vis	30047-00	vis
1	30048-00	vis	30048-00	vis
1	30049-00	vis	30049-00	vis
1	30050-00	vis	30050-00	vis
1	30051-00	vis	30051-00	vis
1	30052-00	vis	30052-00	vis
1	30053-00	vis	30053-00	vis
1	30054-00	vis	30054-00	vis
1	30055-00	vis	30055-00	vis
1	30056-00	vis	30056-00	vis
1	30057-00	vis	30057-00	vis
1	30058-00	vis	30058-00	vis
1	30059-00	vis	30059-00	vis
1	30060-00	vis	30060-00	vis
1	30061-00	vis	30061-00	vis
1	30062-00	vis	30062-00	vis
1	30063-00	vis	30063-00	vis
1	30064-00	vis	30064-00	vis
1	30065-00	vis	30065-00	vis
1	30066-00	vis	30066-00	vis
1	30067-00	vis	30067-00	vis
1	30068-00	vis	30068-00	vis
1	30069-00	vis	30069-00	vis
1	30070-00	vis	30070-00	vis
1	30071-00	vis	30071-00	vis
1	30072-00	vis	30072-00	vis
1	30073-00	vis	30073-00	vis
1	30074-00	vis	30074-00	vis
1	30075-00	vis	30075-00	vis
1	30076-00	vis	30076-00	vis
1	30077-00	vis	30077-00	vis
1	30078-00	vis	30078-00	vis
1	30079-00	vis	30079-00	vis
1	30080-00	vis	30080-00	vis
1	30081-00	vis	30081-00	vis
1	30082-00	vis	30082-00	vis
1	30083-00	vis	30083-00	vis
1	30084-00	vis	30084-00	vis
1	30085-00	vis	30085-00	vis
1	30086-00	vis	30086-00	vis
1	30087-00	vis	30087-00	vis
1	30088-00	vis	30088-00	vis
1	30089-00	vis	30089-00	vis
1	30090-00	vis	30090-00	vis
1	30091-00	vis	30091-00	vis
1	30092-00	vis	30092-00	vis
1	30093-00	vis	30093-00	vis
1	30094-00	vis	30094-00	vis
1	30095-00	vis	30095-00	vis
1	30096-00	vis	30096-00	vis
1	30097-00	vis	30097-00	vis
1	30098-00	vis	30098-00	vis
1	30099-00	vis	30099-00	vis
1	30100-00	vis	30100-00	vis

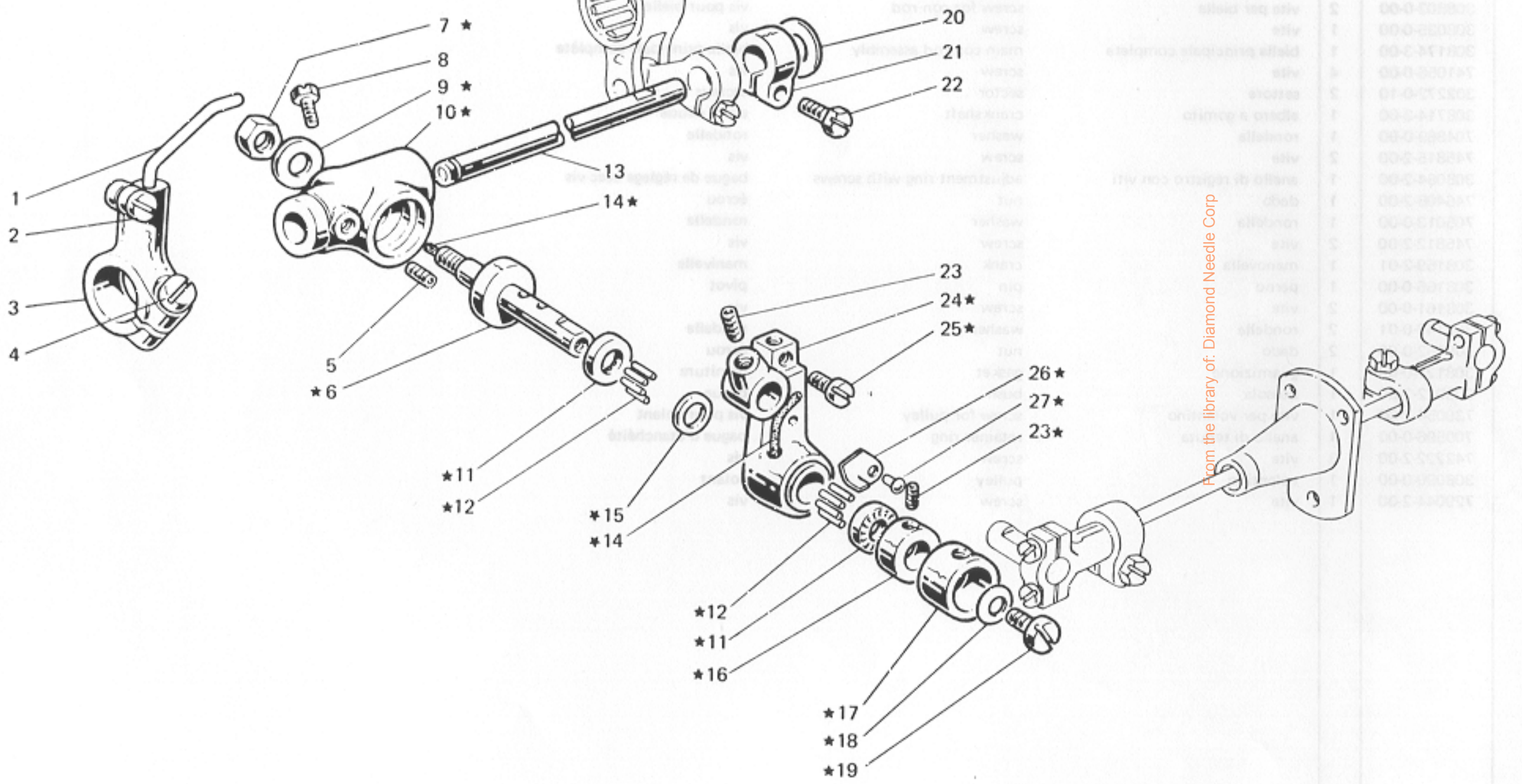


From the library of: Diamond Needle Corp

Fig. N. Abb. N.	Part. N. Pezce N. Bestell N. Pieza N.	Qt. Anzahl	DESCRIZIONE	DESCRIPTION	DESCRIPTION	BENENNUNG	DESCRIPCION
★	308013-4-00	1	bussola destra completa	right bush assembly	bague droite complète		
■	308178-4-00	1	gruppo biella principale	main con-rod assembly	groupe bielle principale		
1	308254-3-00	1	biella con eccentrico e viti	con-rod with cam and screws	bielle avec excentrique et vis		
2	308310-0-00	1	perno a sfera	ball joint	pivot à sphère		
3	308802-0-00	2	vite per biella	screw for con-rod	vis pour bielle		
4	308035-0-00	1	vite	screw	vis		
5	308174-3-00	1	biella principale completa	main con-rod assembly	bielle principale complète		
6	741056-0-00	4	vite	screw	vis		
7	302272-0-10	2	settore	sector	secteur		
8	308714-3-00	1	albero a gomito	crankshaft	arbre coudé		
9	704869-0-00	1	rondella	washer	rondelle		
10	745815-2-00	2	vite	screw	vis		
11	308084-2-00	1	anello di registro con viti	adjustment ring with screws	bague de réglage avec vis		
12	746408-2-00	1	dado	nut	écrou		
13	705013-0-00	1	rondella	washer	rondelle		
14	745812-2-00	2	vite	screw	vis		
15	308159-2-01	1	manovella	crank	manivelle		
16	308166-0-00	1	perno	pin	pivot		
17	308161-0-00	2	vite	screw	vis		
18	308149-0-01	2	rondella	washer	rondelle		
19	308162-0-00	2	dado	nut	écrou		
20	308127-0-00	1	guarnizione	gasket	garniture		
21	308012-2-00	1	bussola	bush	bague		
22	730054-2-00	1	vite per volantino	screw for pulley	vis pour volant		
23	700596-0-00	1	anello di tenuta	retainer ring	bague d'étanchéité		
24	742222-2-00	3	vite	screw	vis		
25	308090-0-00	1	volantino	pulley	volant		
26	729044-2-00	1	vite	screw	vis		

From the library of: Diamond Needle Corp

*1
EV16
53

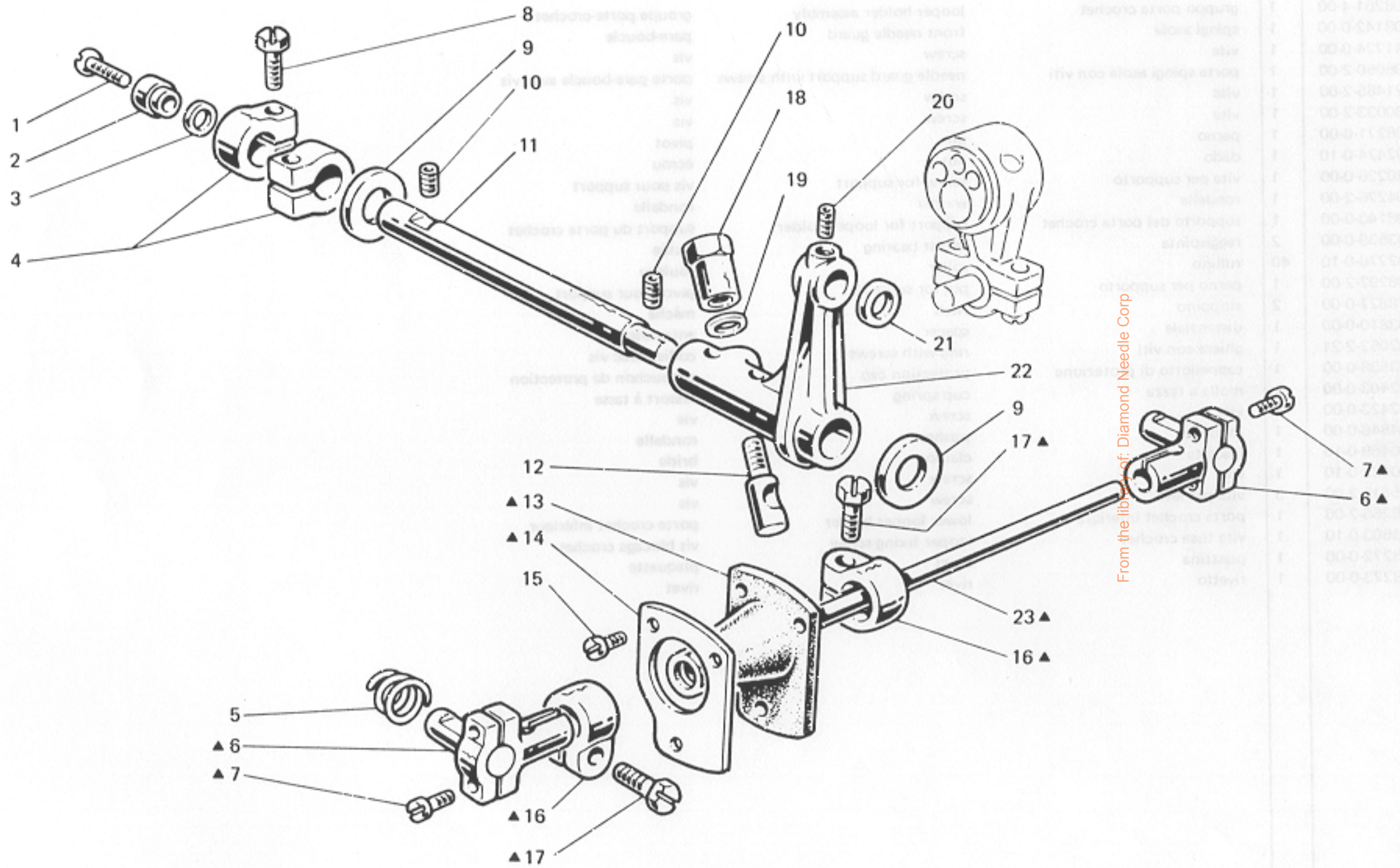


From the library of: Diamond Needle Corp

Fig. N. Abb. N.	Part. N. Piece N. Bestell N. Pieza N.	Qt. Anzahl	DESCRIZIONE	DESCRIPTION	DESCRIPTION	BENENNUNG	DESCRIPCION
★	308261-4-00	1	gruppo porta crochet	looper holder assembly	groupe porte-crochet		
1	308142-0-00	1	spingi asola	front needle guard	pare-boucle		
2	741724-0-00	1	vite	screw	vis		
3	308050-2-00	1	porta spingi asola con viti	needle guard support with screws	porte pare-boucle avec vis		
4	721485-2-00	1	vite	screw	vis		
5	730033-2-00	1	vite	screw	vis		
6	308271-0-00	1	perno	pin	pivot		
7	202474-0-10	1	dado	nut	écrou		
8	740226-0-00	1	vite per supporto	screw for support	vis pour support		
9	704226-2-00	1	rondella	washer	rondelle		
10	308140-0-00	1	supporto del porta crochet	support for looper holder	support du porte crochet		
11	303539-0-00	2	reggispinta	thrust bearing	butée		
12	302276-0-10	40	rullino	roller	rouleau		
13	308292-2-00	1	perno per supporto	pin for support	pivot pour support		
14	778827-0-00	2	stoppino	wick	mèche		
15	703810-0-00	1	distanziale	spacer	entretoise		
16	302052-2-21	1	ghiera con viti	ring with screws	collier avec vis		
17	303538-0-00	1	cappello di protezione	protection cap	capouchon de protection		
18	702403-0-00	1	molla a tazza	cup spring	ressort à tasse		
19	742423-0-00	1	vite	screw	vis		
20	704846-0-00	1	rondella	washer	rondelle		
21	300469-0-10	1	fascetta	clamp	bride		
22	300482-0-10	1	vite	screw	vis		
23	745815-2-00	3	vite per leva	screw	vis		
24	308266-2-00	1	porta crochet inferiore	lower looper holder	porte crochet inférieur		
25	303503-0-10	1	vite fissa crochet	looper fixing screw	vis blocage crochet		
26	308272-0-00	1	piastrina	sheet	plaquette		
27	308273-0-00	1	rivetto	rivet	rivet		

From the library of: Diamond Needle Corp

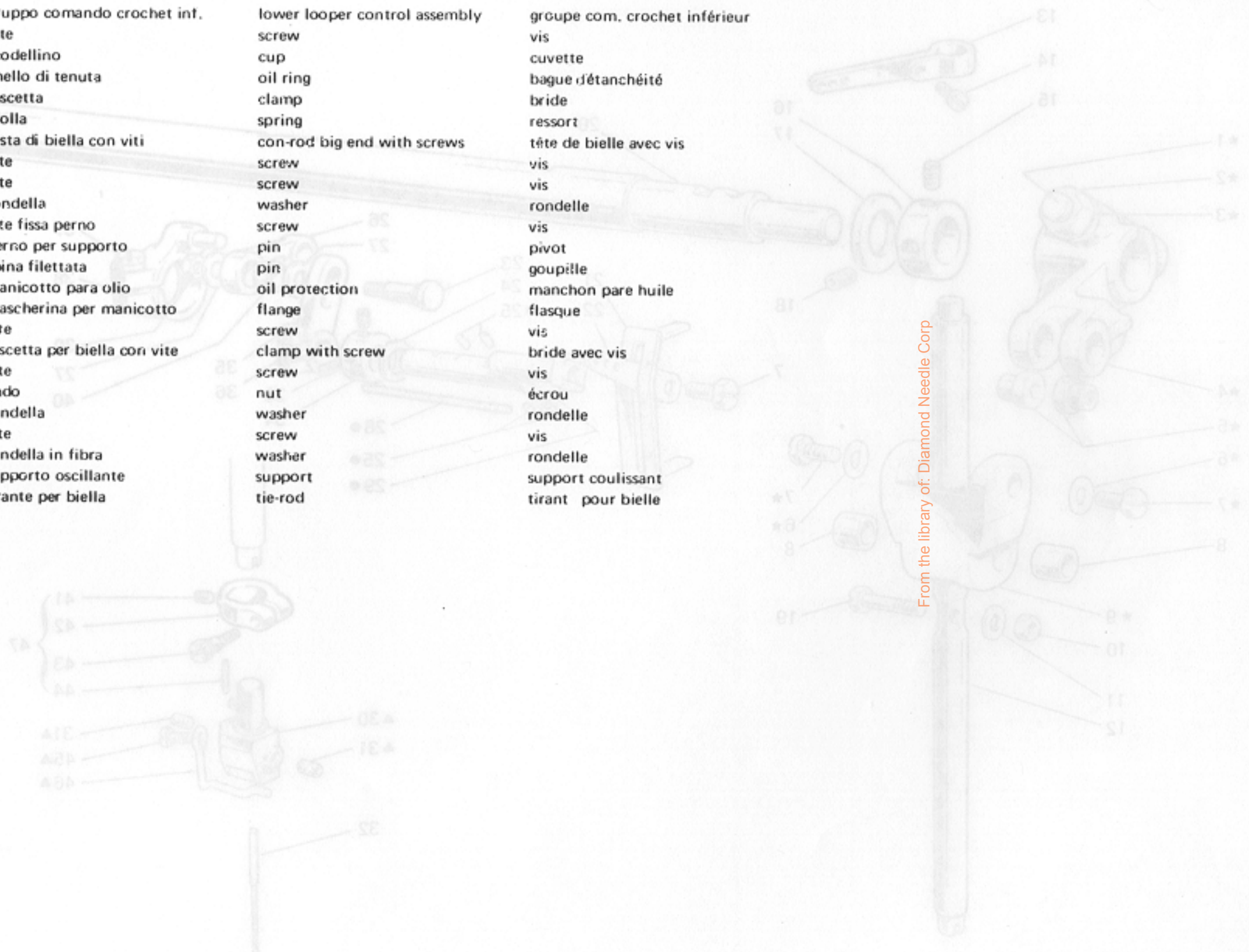
#1
EV16
53



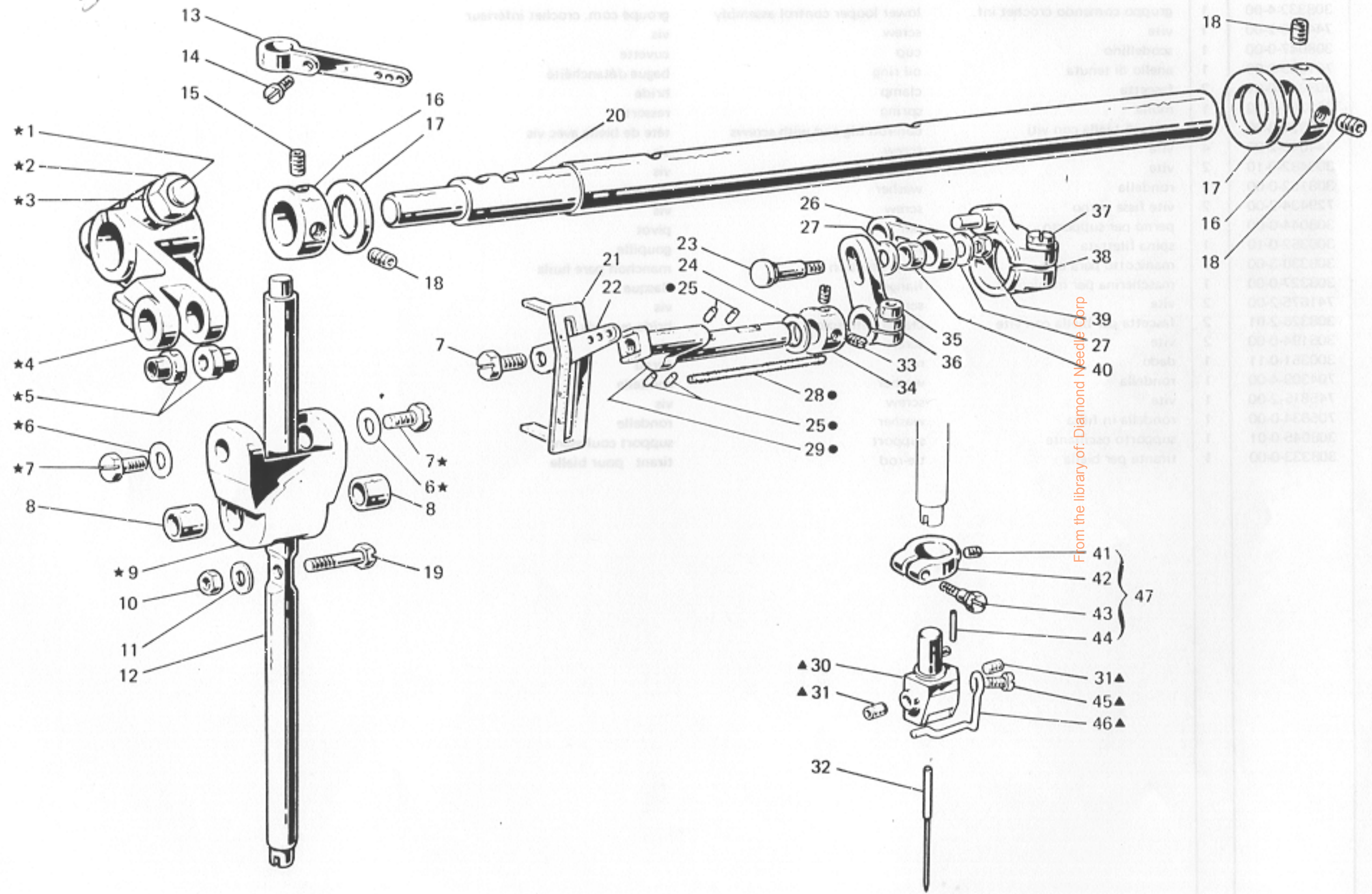
From the library of: Diamond Needle Corp

Fig. N. Abb. N.	Part. N. Pezce N. Bestell N. Pieza N.	Qt. Anzahl	DESCRIZIONE	DESCRIPTION	DESCRIPTION	BENENNUNG	DESCRIPCION
▲	308332-4-00	1	gruppo comando crochet inf.	lower looper control assembly	groupe com. crochet inférieur		
1	744676-2-00	1	vite	screw	vis		
2	308047-0-00	1	scodellino	cup	cuvette		
3	701009-0-00	1	anello di tenuta	oil ring	bague d'étanchéité		
4	308046-0-01	2	fascetta	clamp	bride		
5	302289-0-10	1	molla	spring	ressort		
6	308325-3-00	2	testa di biella con viti	con-rod big end with screws	tête de bielle avec vis		
7	744040-2-00	4	vite	screw	vis		
8	300482-0-10	2	vite	screw	vis		
9	308152-0-00	2	rondella	washer	rondelle		
10	729434-2-00	2	vite fissa perno	screw	vis		
11	308044-0-00	1	perno per supporto	pin	pivot		
12	300352-0-10	1	spina filettata	pin	goupille		
13	308330-3-00	1	manicotto para olio	oil protection	manchon pare huile		
14	308327-0-00	1	mascherina per manicotto	flange	flasque		
15	741675-2-00	2	vite	screw	vis		
16	308326-2-01	2	fascetta per biella con vite	clamp with screw	bride avec vis		
17	305194-0-00	2	vite	screw	vis		
18	300351-0-11	1	dado	nut	écrou		
19	704309-4-00	1	rondella	washer	rondelle		
20	745815-2-00	1	vite	screw	vis		
21	705834-0-00	1	rondella in fibra	washer	rondelle		
22	308045-0-01	1	supporto oscillante	support	support coulissant		
23	308333-0-00	1	tirante per biella	tie-rod	tirant pour bielle		

From the library of: Diamond Needle Corp



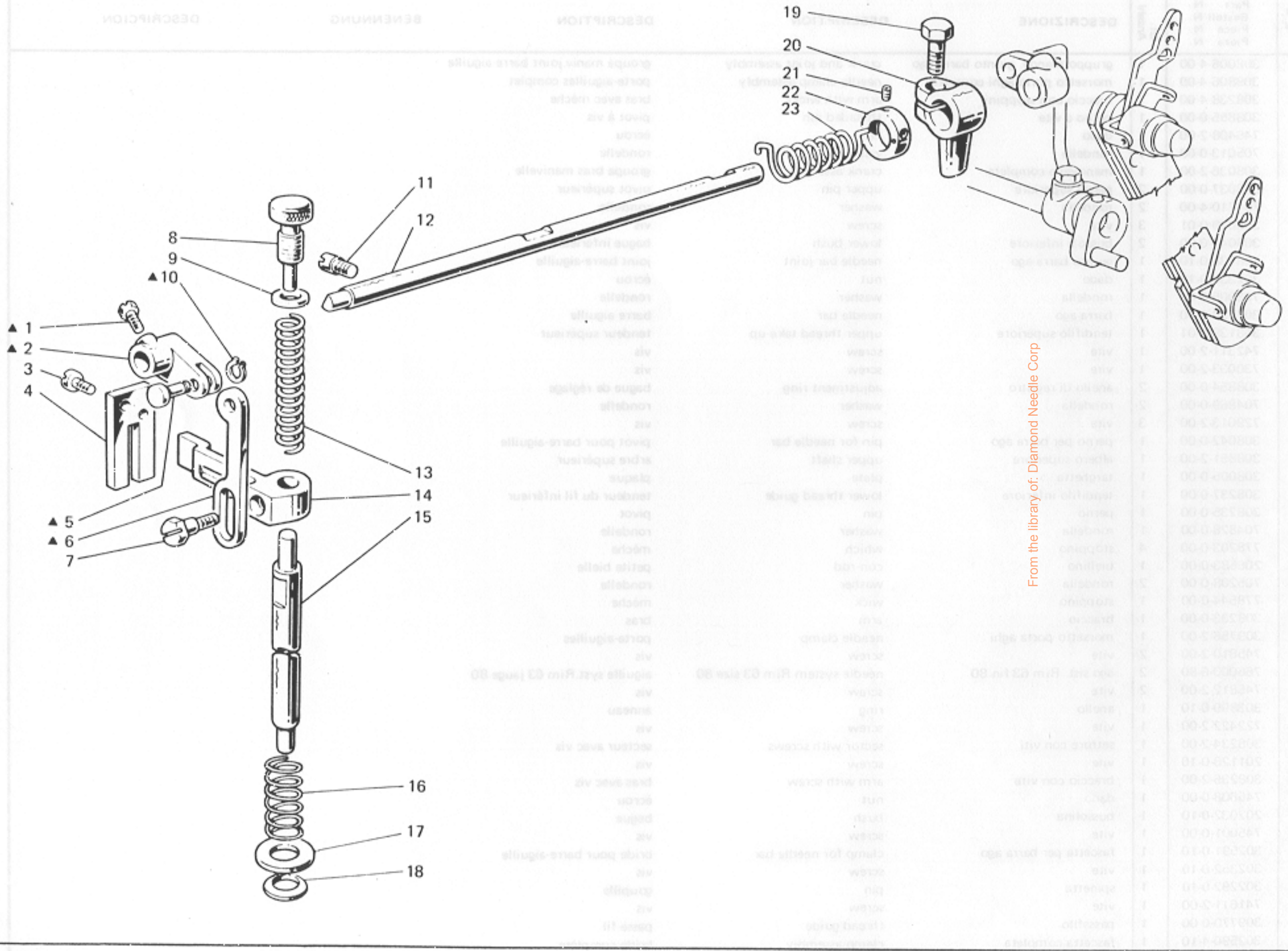
*1
EVL 16 E
53



From the library of: Diamond Needle Corp

Fig. N. Abb. N.	Part. N. Bestell N. Piece N. Pieza N.	Qt. Anzahl	DESCRIZIONE	DESCRIPTION	DESCRIPTION	BENENNUNG	DESCRIPCION
★	308006-4-00	1	gruppo manov. giunto barra ago	crank and joint assembly	groupe maniv.joint barre-aiguille		
▲	309806-4-00	1	morsetto porta aghi completo	needle clamp assembly	porte-aiguilles complet		
●	308238-4-00	1	braccio con stoppini	arm with wicks	bras avec mèche		
1	308855-0-00	1	perno a vite	threaded pin	pivot à vis		
2	746408-2-00	1	dado	nut	écrou		
3	705013-0-00	1	rondella	washer	rondelle		
4	308036-2-00	1	manovella completa	crank assembly	groupe bras manivelle		
5	308037-0-00	2	perno superiore	upper pin	pivot supérieur		
6	704210-4-00	2	rondella	washer	rondelle		
7	308039-0-01	3	vite	screw	vis		
8	308041-0-00	2	bussola inferiore	lower bush	bague inférieure		
9	308038-0-10	1	giunto barra ago	needle bar joint	joint barre-aiguille		
10	302338-0-10	1	dado	nut	écrou		
11	703005-0-00	1	rondella	washer	rondelle		
12	308220-0-00	1	barra ago	needle bar	barre aiguille		
13	308139-0-01	1	tendifilo superiore	upper thread take-up	tendeur supérieur		
14	742311-2-00	1	vite	screw	vis		
15	730033-2-00	1	vite	screw	vis		
16	308854-0-00	2	anello di registro	adjustment ring	bague de réglage		
17	704869-0-00	2	rondella	washer	rondelle		
18	729013-2-00	3	vite	screw	vis		
19	308042-0-00	1	perno per barra ago	pin for needle bar	pivot pour barre-aiguille		
20	308851-2-00	1	albero superiore	upper shaft	arbre supérieur		
21	308005-0-00	1	targhetta	plate	plaque		
22	308237-0-00	1	tendifilo inferiore	lower thread guide	tendeur du fil inférieur		
23	308235-0-00	1	perno	pin	pivot		
24	704828-0-00	1	rondella	washer	rondelle		
25	778203-0-00	4	stoppino	wick	mèche		
26	206583-0-00	1	biellino	con-rod	petite bielle		
27	705208-0-00	2	rondella	washer	rondelle		
28	778544-0-00	1	stoppino	wick	mèche		
29	308233-0-00	1	braccio	arm	bras		
30	309756-2-00	1	morsetto porta aghi	needle clamp	porte-aiguilles		
31	745810-2-00	2	vite	screw	vis		
32	766000-6-80	2	ago sist. Rim 63 fin. 80	needle system Rim 63 size 80	aiguille syst.Rim 63 jauge 80		
33	745812-2-00	2	vite	screw	vis		
34	303899-0-10	1	anello	ring	anneau		
35	722422-2-00	1	vite	screw	vis		
36	308234-2-00	1	settore con viti	sector with screws	secteur avec vis		
37	201128-0-10	1	vite	screw	vis		
38	308236-2-00	1	braccio con vite	arm with screw	bras avec vis		
39	746008-0-00	1	dado	nut	écrou		
40	202032-0-10	1	bussolina	bush	bague		
41	745001-0-00	1	vite	screw	vis		
42	302591-0-10	1	fascetta per barra ago	clamp for needle bar	bride pour barre-aiguille		
43	302352-0-10	1	vite	screw	vis		
44	302292-0-10	1	spinetta	pin	goupille		
45	741611-2-00	1	vite	screw	vis		
46	309770-0-00	1	passafilo	thread guide	passe-fil		
47	302590-4-10	1	fascetta completa	clamp assembly	bride complète		

From the library of: Diamond Needle Corp



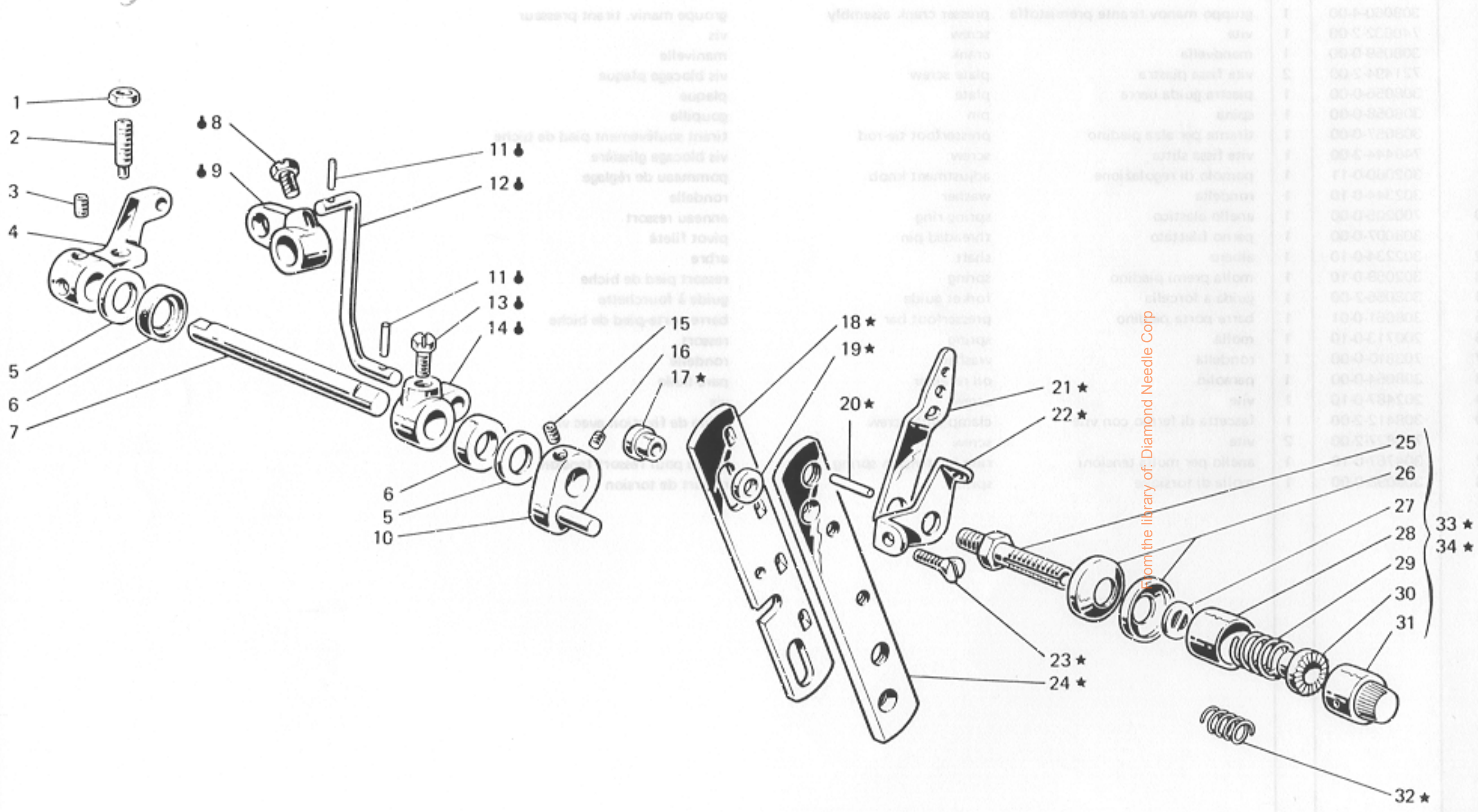
From the library of: Diamond Needle Corp

Fig. N. Abb. N.	Part. N. Piece N. Bestell N. Pieza N.	Qt. Anzahl	DESCRIZIONE	DESCRIPTION	DESCRIPTION	BENENNUNG	DESCRIPCION
★	308601-3-00	1	base e braccio con hussole	base and arm with bushes	base et bras avec bagues		
1	308032-0-00	1	bussola	bush	bague		
2	308215-0-00	1	protezione olio	oil protection	protection huile		
3	308858-0-00	1	bussola	bush	bague		
4	706454-0-00	2	spina	pin	goupille		
5	308859-2-00	1	supporto con bussola fig. 3	support with bush fig. 3	support avec bague fig. 3		
6	721485-2-00	4	vite	screw	vis		
7	308406-0-00	1	bussola	bush	bague		
8	308218-0-00	1	scodellino inferiore	lower cup	cuvette inférieure		
9	308296-0-00	2	bussola	bush	bague		
10	308293-0-00	1	bussola	bush	bague		
11	308297-0-00	1	bussola	bush	bague		
12	308096-0-00	1	guarnizione sinistra base	left gasket for base	garniture gauche pour base		
13	742623-2-00	1	vite	screw	vis		
14	721444-2-00	1	vite	screw	vis		
15	308138-0-02	1	carter paraolio	oil retainer cover	carter protection huile		
16	308094-0-00	1	tappo foro bussola	plug	bouchon		
17	308031-0-00	1	bussola	bush	bague		
18	303501-0-10	1	tappo per foro tendifilo	plug	bouchon		
19	308852-0-00	1	bussola	bush	bague		
20	308232-0-00	1	bussola	bush	bague		
21	729012-2-00	1	vite	screw	vis		
22	308086-0-00	1	bussola	bush	bague		
23	308009-0-00	1	bussola	bush	bague		
24	308298-0-00	1	bussola	bush	bague		
25	302356-0-10	1	tappo	plug	bouchon		
26	308853-0-00	2	bussola	bush	bague		

Fig. N. Abb. N.	Part. N. Piec. N. Bestell N. Pieza N.	Ct. Anzahl	DESCRIZIONE	DESCRIPTION	DESCRIPTION	BENENNUNG	DESCRIPCION
▲	308060-4-00	1	gruppo manov.tirante premistoffa	presser crank assembly	groupe maniv. tirant presseur		
1	740632-2-00	1	vite	screw	vis		
2	308059-0-00	1	manovella	crank	manivelle		
3	721494-2-00	2	vite fissa piastra	plate screw	vis blocage plaque		
4	308056-0-00	1	piastra guida barra	plate	plaque		
5	308058-0-00	1	spina	pin	goupille		
6	308057-0-00	1	tirante per alza piedino	presserfoot tie-rod	tirant soulèvement pied de biche		
7	740444-2-00	1	vite fissa slitta	screw	vis blocage glissière		
8	302060-0-11	1	pomolo di regolazione	adjustment knob	pommeau de réglage		
9	302344-0-10	1	rondella	washer	rondelle		
10	700205-0-00	1	anello elastico	spring ring	anneau ressort		
11	308007-0-00	1	perno filettato	threaded pin	pivot fileté		
12	302234-0-10	1	albero	shaft	arbre		
13	302059-0-10	1	molla premi piedino	spring	ressort pied de biche		
14	308055-2-00	1	guida a forcella	forket guide	guide à fourchette		
15	308061-0-01	1	barra porta piedino	presserfoot bar	barre porte-pied de biche		
16	200713-0-10	1	molla	spring	ressort		
17	703810-0-00	1	rondella	washer	rondelle		
18	308054-0-00	1	paraolio	oil retainer	pare-huile		
19	202487-0-10	1	vite	screw	vis		
20	308412-2-00	1	fascetta di fermo con vite	clamp with screw	bride de fixation avec vis		
21	745827-2-00	2	vite	screw	vis		
22	304767-0-10	1	anello per molla tensioni	ring for tension spring	bague pour ressort tension		
23	308098-0-00	1	molla di torsione	spring	ressort de torsion		

From the library of: Diamond Needle Corp

KI
EV 169 F
53



From the library of: Diamond Needle Corp

Fig. N. Abb. N.	Part. N. Piece N. Bestell N. Pieza N.	Qt. Anzahl	DESCRIZIONE	DESCRIPTION	DESCRIPTION	BENENNUNG	DESCRIPCION
★	308528-4-00	1	gruppo tensioni	tension assembly	groupe tensions		
◆	308320-4-00	1	tirante con leva	tie-rod with lever	tirant avec levier		
1	746204-0-00	1	dado	nut	écrou		
2	729884-2-00	1	vite	screw	vis		
3	729034-2-00	2	vite per leva	screw for lever	vis pour levier		
4	308062-0-00	1	leva comando alza piedino	presserfoot control lever	levier soulév. pied de biche		
5	704240-2-00	2	rondella	washer	rondelle		
6	304763-0-10	2	anello di tenuta	retainer ring	bague d'étanchéité		
7	308996-0-01	1	albero comando alza piedino	shaft	arbre soulév. pied de biche		
8	740632-2-00	1	vite	screw	vis		
9	302232-0-10	1	leva superiore	upper lever	levier supérieur		
10	308495-2-00	1	leva sblocca tensione	lever	levier déblocage tension		
11	707241-0-00	2	spina elastica	split pin	goupille		
12	308321-0-00	1	tirante	tie-rod	tirant		
13	740636-2-00	1	vite per leva	screw	vis pour levier		
14	302238-0-10	1	leva per tirante	tie-rod lever	levier pour tirant		
15	745126-2-00	1	vite	screw	vis		
16	727834-2-00	1	vite	screw	vis		
17	308512-0-00	2	distanziale	spacer	entretoise		
18	308502-0-00	1	slitta per tensione	slide for tension	glissière tension		
19	701007-0-00	2	anello	ring	anneau		
20	308506-0-00	3	pernetto	pin	pivot		
21	308501-0-01	3	passafilo	thread guide	passe-fil		
22	308503-0-01	3	guidafilo	thread guide	guide fil		
23	744676-2-00	2	vite	screw	vis		
24	308504-0-00	1	supporto	support	support		
25	308505-0-00	3	perno a vite	threaded pin	pivot à vis		
26	300218-0-10	6	disco tensione	tension disc	disque tension		
27	308507-0-00	3	rondella	washer	rondelle		
28	202556-0-00	3	scodellino	cup	cuvette		
29	200710-0-10	2	molla	spring	ressort		
30	202229-0-10	3	bussola superiore	upper bush	bague supérieure		
31	202558-2-00	3	pomolo	knob	potmeau		
32	200714-0-10	1	molla	spring	ressort		
33	308518-4-00	2	tensione sup. con molla fig. 29	upper tension with spring fig. 29	tension sup. avec ressort fig. 29		
34	308521-4-00	1	tensione inf. con molla fig. 32	lower tension with spring fig. 32	tension inf. avec ressort fig. 32		

From the library of: Diamond Needle Corp

DESCRIPTION

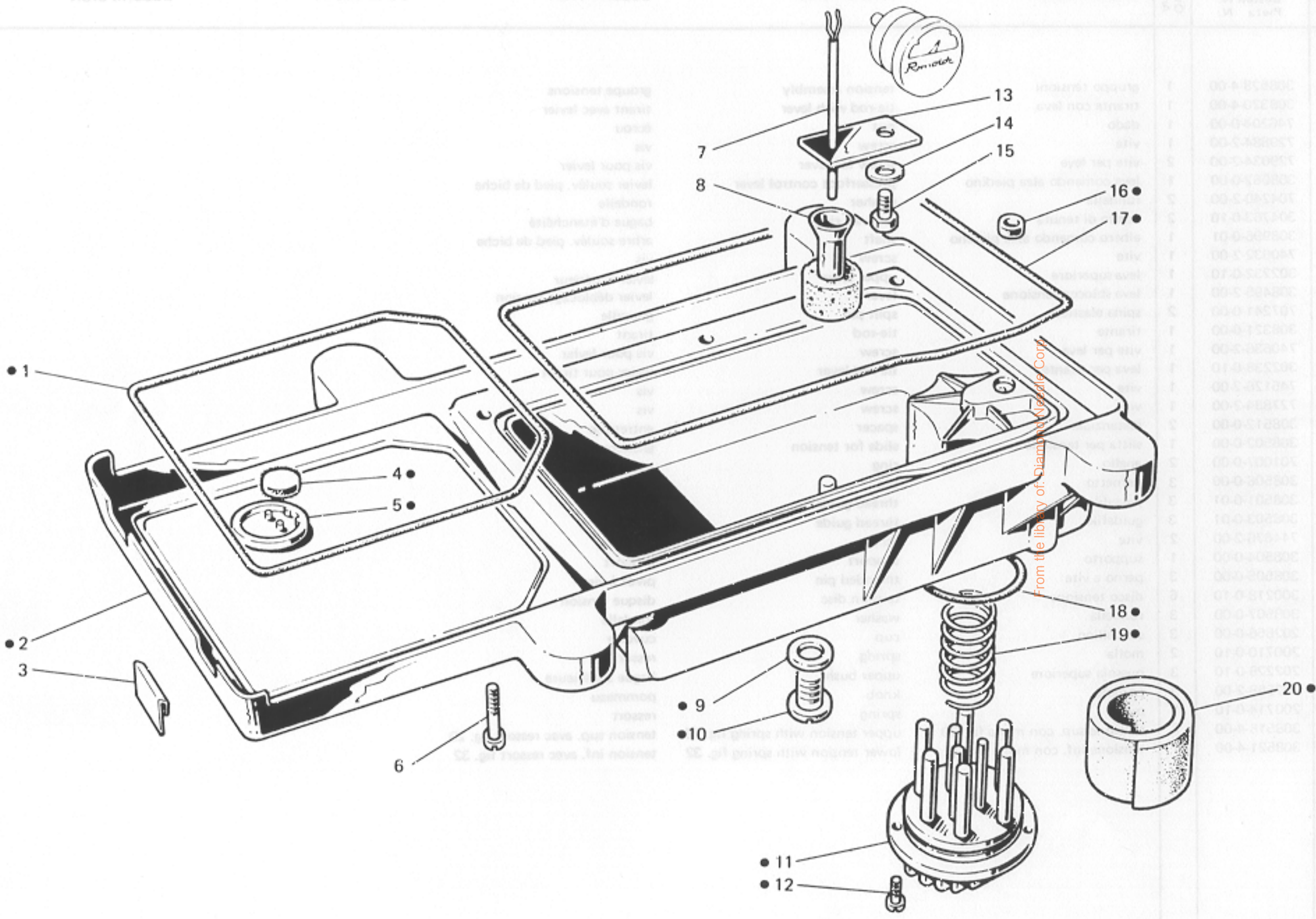
BENENNUNG

DESCRIPTION

DESCRIPTION

DESCRIZIONE

Part No.	Part Name	Part No.	Part Name
1	Case	13	Control Panel
2	Case	14	Control Panel
3	Case	15	Control Panel
4	Case	16	Control Panel
5	Case	17	Control Panel
6	Case	18	Control Panel
7	Case	19	Control Panel
8	Case	20	Control Panel
9	Case		
10	Case		
11	Case		
12	Case		



From the library of: Diamond Needle Corp.

Fig. N. Abb. N.	Part. N. Piece N. Bestell N. Pieza N.	Qt. Anzahl	DESCRIZIONE	DESCRIPTION	DESCRIPTION	BENENNUNG	DESCRIPCION
●	308588-4-01	1	bacinella olio completa	oil sump assembly	reservoir huile complet		
1	308125-0-00	1	guarnizione	gasket	garniture		
2	308576-2-01	1	bacinella	sump	reservoir		
3	308002-0-00	2	piastrina per bacinella	sheet for sump	plaquette pour reservoir		
4	308151-0-00	1	filtro	filter	filtre		
5	308150-0-10	1	scodellino recupero olio	cup	cuvette		
6	722453-2-00	6	vite per fiss. bacinella	sump fixing screw	vis blocage reservoir		
7	308231-2-00	1	astina livello olio	stick	jauge niveau huile		
8	308228-2-00	1	galleggiante	float	flotteur		
9	705977-0-00	1	rondella	washer	rondelle		
10	206564-0-00	1	tappo	plug	bouchon		
11	206560-0-10	1	coperchio	cover	couvercle		
12	721464-2-00	2	vite	screw	vis		
13	308226-0-00	1	guida astina	guide for stich	guide barre		
14	703003-0-00	1	rondella elastica	spring washer	rondelle élastique		
15	740240-0-00	1	vite	screw	vis		
16	308113-0-00	1	anello	oil ring	bague d'étanchéité		
17	308126-0-00	1	guarnizione	gasket	garniture		
18	701051-0-00	1	guarnizione	gasket	garniture		
19	206545-0-00	1	molla a spirale	spring	ressort		
20	206559-0-00	1	filtro olio	oil filter	filtre huile		

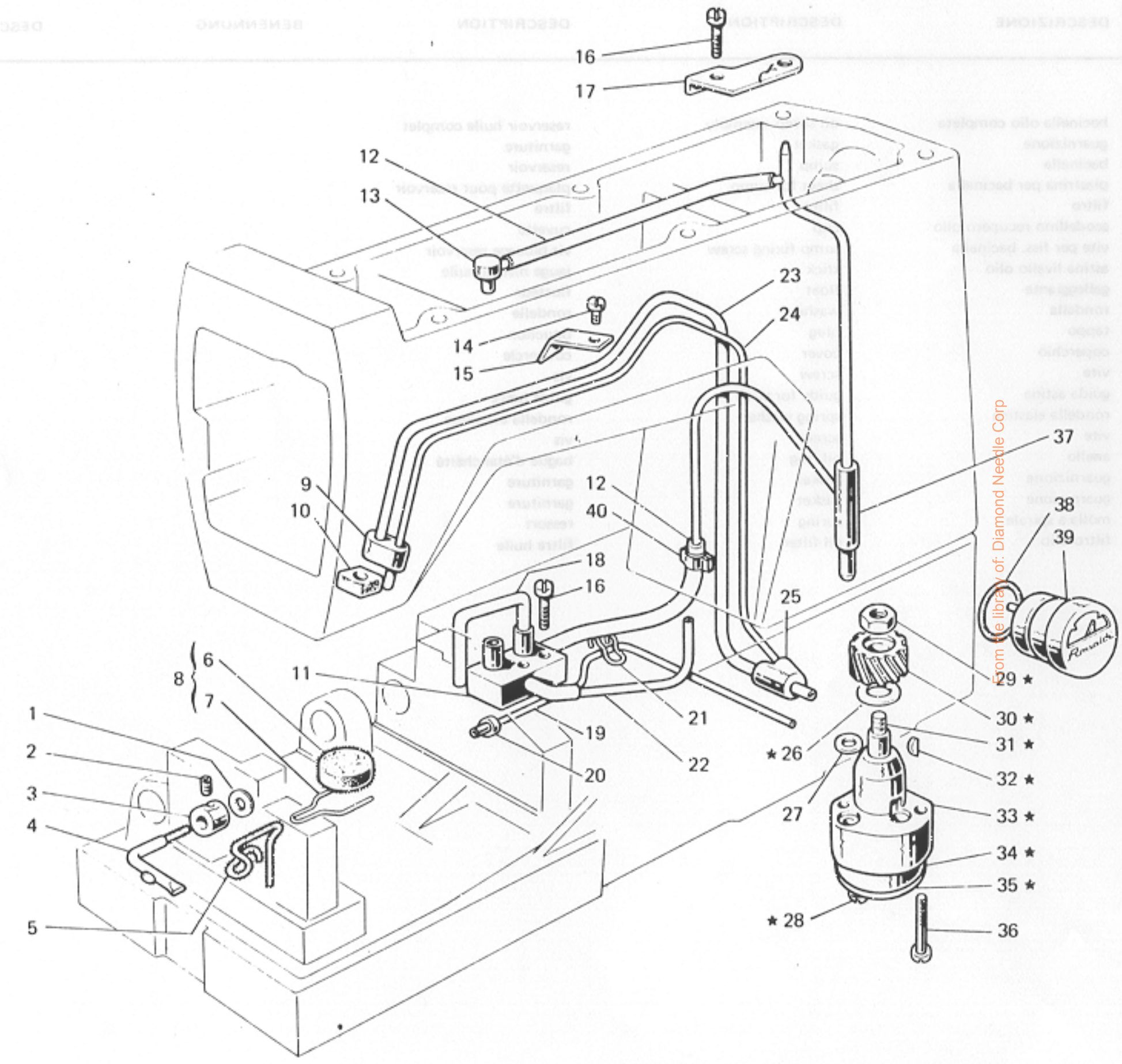
From the library of: Diamond Needle Corp

DESCRIPTION

BENENNUNG

DESCRIPTION

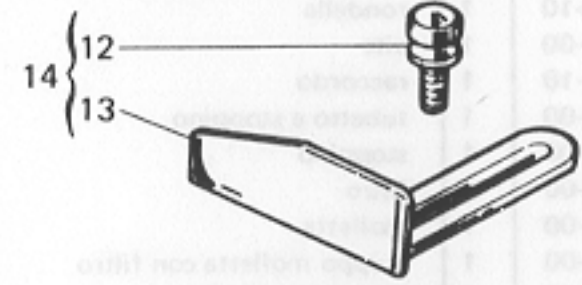
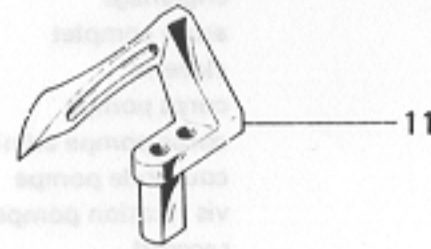
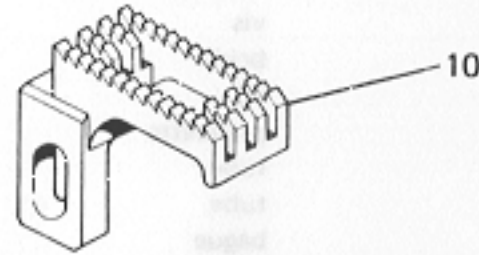
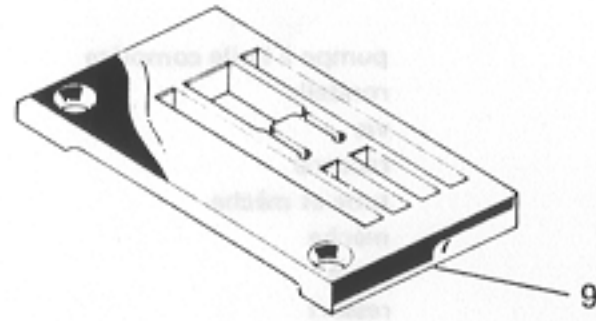
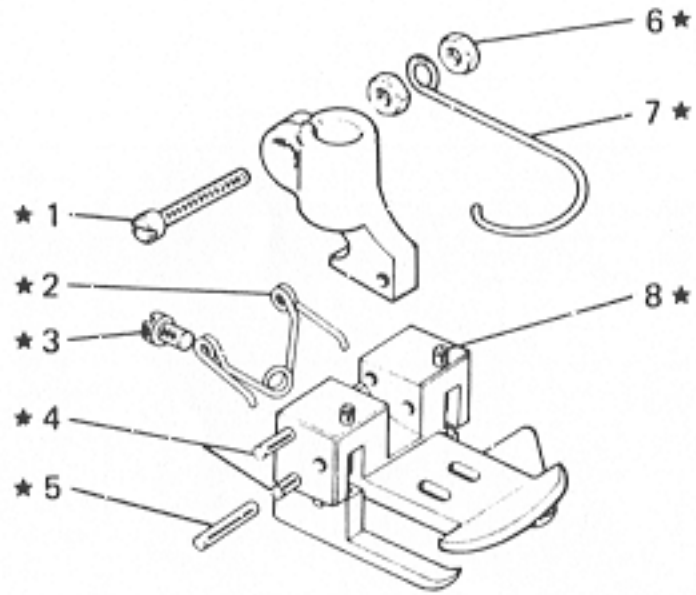
DESCRIZIONE



QTY	Part No.	Part Name	Part Description
1	30528-0-01	Needle	Needle
1	30529-0-00	Needle Holder	Needle Holder
1	30530-0-00	Needle Plate	Needle Plate
1	30531-0-00	Needle Thread	Needle Thread
1	30532-0-00	Needle Case	Needle Case
1	30533-0-00	Needle Point	Needle Point
1	30534-0-00	Needle Shank	Needle Shank
1	30535-0-00	Needle Eye	Needle Eye
1	30536-0-00	Needle Flange	Needle Flange
1	30537-0-00	Needle Tip	Needle Tip
1	30538-0-00	Needle Base	Needle Base
1	30539-0-00	Needle Mounting	Needle Mounting
1	30540-0-00	Needle Assembly	Needle Assembly
1	30541-0-00	Needle Component	Needle Component
1	30542-0-00	Needle Part	Needle Part
1	30543-0-00	Needle Element	Needle Element
1	30544-0-00	Needle Piece	Needle Piece
1	30545-0-00	Needle Section	Needle Section
1	30546-0-00	Needle Detail	Needle Detail
1	30547-0-00	Needle Feature	Needle Feature
1	30548-0-00	Needle Attribute	Needle Attribute
1	30549-0-00	Needle Characteristic	Needle Characteristic
1	30550-0-00	Needle Property	Needle Property
1	30551-0-00	Needle Quality	Needle Quality
1	30552-0-00	Needle Quantity	Needle Quantity
1	30553-0-00	Needle Value	Needle Value
1	30554-0-00	Needle Weight	Needle Weight
1	30555-0-00	Needle Length	Needle Length
1	30556-0-00	Needle Width	Needle Width
1	30557-0-00	Needle Height	Needle Height
1	30558-0-00	Needle Depth	Needle Depth
1	30559-0-00	Needle Area	Needle Area
1	30560-0-00	Needle Volume	Needle Volume
1	30561-0-00	Needle Surface	Needle Surface
1	30562-0-00	Needle Edge	Needle Edge
1	30563-0-00	Needle Corner	Needle Corner
1	30564-0-00	Needle Curve	Needle Curve
1	30565-0-00	Needle Radius	Needle Radius
1	30566-0-00	Needle Diameter	Needle Diameter
1	30567-0-00	Needle Circumference	Needle Circumference
1	30568-0-00	Needle Perimeter	Needle Perimeter
1	30569-0-00	Needle Area	Needle Area
1	30570-0-00	Needle Volume	Needle Volume

Fig. N. Abb. N.	Part. N. Piece N. Besteli N. Pieza N.	Qt. Anzahl	DESCRIZIONE	DESCRIPTION	DESCRIPTION	BENENNUNG	DESCRIPCION
★	308105-4-00	1	pompa olio completa	oil pump assembly	pumpe à huile complète		
1	300420-0-10	1	rondella	washer	rondelle		
2	730011-0-00	1	vite	screw	vis		
3	300419-0-10	1	raccordo	pipe union	raccord		
4	308243-3-00	1	tubetto e stoppino	pipe and wick	tube et mèche		
5	778553-0-00	1	stoppino	wick	mèche		
6	308153-0-00	1	filtro	filter	filtre		
7	308154-0-00	1	molletta	spring	ressort		
8	308155-4-00	1	gruppo molletta con filtro	spring with filter assembly	groupe ressort avec filtre		
9	308123-0-00	1	raccordo superiore	upper pipe union	raccord supérieur		
10	200853-0-10	1	striscia feltro	felt	feutre		
11	308114-2-00	1	distributore	distributor	distributeur		
12	308207-0-00	2	tubetto	pipe	tube		
13	308214-0-00	1	raccordo mandata olio	pipe union	raccord		
14	721424-2-00	1	vite	screw	vis		
15	308184-0-00	1	fascetta	clamp	bride		
16	721494-2-00	3	vite	screw	vis		
17	308104-0-00	1	piastrina	plate	plaquette		
18	790307-0-00	1	tubetto	pipe	tube		
19	790325-0-00	1	tubetto	pipe	tube		
20	308212-0-00	1	bussolina olio	bush	bague		
21	308211-0-00	2	clip	clip	clip		
22	790315-0-00	1	tubetto	pipe	tube		
23	790342-0-00	1	tubetto recupero olio	pipe	tube		
24	790242-0-00	1	tubetto recupero olio	pipe	tube		
25	308185-0-00	1	raccordo inferiore	lower pipe union	raccord inférieur		
26	704813-0-00	1	rondella	washer	rondelle		
27	701004-0-00	1	anello di tenuta	oil ring	bague d'étanchéité		
28	741082-2-00	2	vite	screw	vis		
29	733507-0-00	1	dado	nut	écrou		
30	206555-0-00	1	ingranaggio	gear	engrenage		
31	206552-2-00	1	albero completo	shaft assembly	arbre complet		
32	206557-0-00	1	chiavetta	key	clavette		
33	206551-0-00	1	corpo pompa	pump body	corps pompe		
34	308110-3-00	1	corpo pompa aspirante	suction pum body	corps pompe admission		
35	308111-0-00	1	coperchio pompa	pump cover	couvercle pompe		
36	741092-0-00	2	vite fissaggio pompa	pump fixing screw	vis fixation pompe		
37	308180-2-00	1	raccordo mandata olio	pipe union	raccord		
38	701032-0-00	1	anello di tenuta	oil ring	bague d'étanchéité		
39	206669-2-01	1	indicatore livello olio	oil level gauge	indicateur niveau huile		
40	308043-0-00	1	fascetta	clamp	bride		

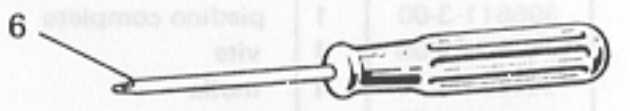
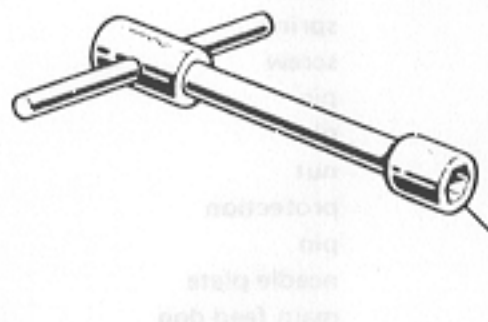
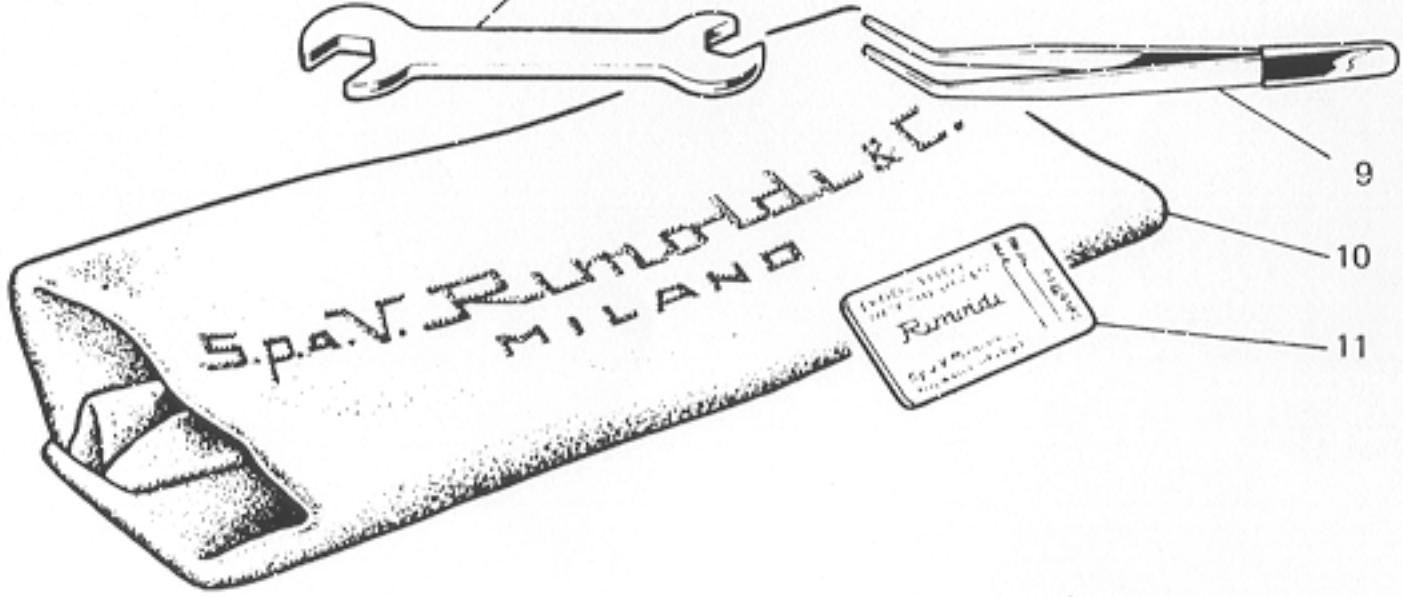
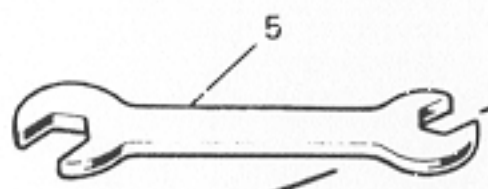
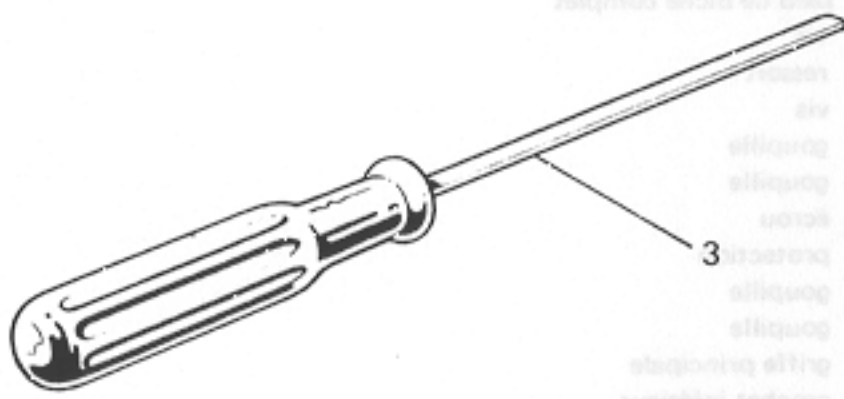
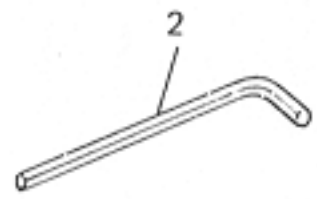
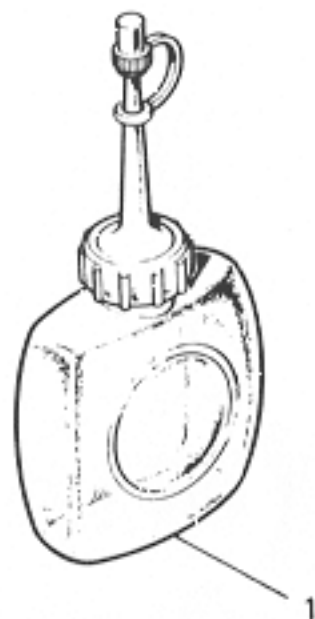
*1
EVKOG
53



From the library of: Diamond Needle Corp

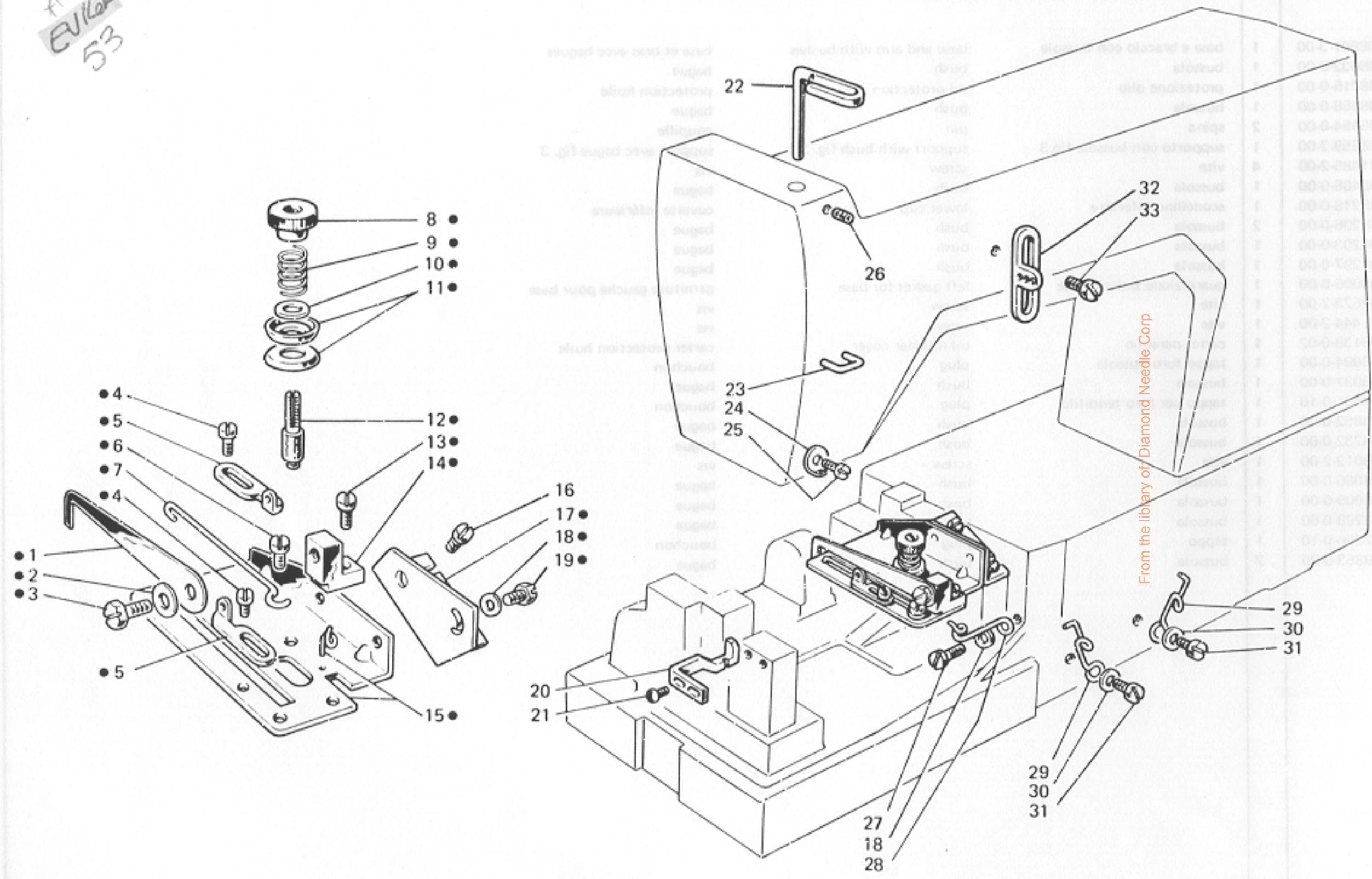
Fig. N. Abb. N.	Part. N. Piece N. Bestell N. Pieza N.	Qt. Anzahl	DESCRIZIONE	DESCRIPTION	DESCRIPTION	BENENNUNG	DESCRIPCION
★	306611-3-00	1	pedino completo	presserfoot assembly	ped de biche complet		
1	741781-2-00	1	vite	screw	vis		
2	300291-0-11	1	molla	spring	ressort		
3	741620-2-00	1	vite	screw	vis		
4	300289-0-10	2	spina	pin	goupille		
5	704641-0-00	1	spina	pin	goupille		
6	733504-2-00	2	dado	nut	écrou		
7	990808-0-00	1	salvadita	protection	protection		
8	306688-0-00	2	spina	pin	goupille		
9	302496-0-10	1	placca ago	needle plate	goupiile		
10	305248-0-00	1	griffa principale	main feed dog	griffe principale		
11	302057-0-11	1	crochet inferiore	lower looper	crochet inférieur		
12	300917-0-10	2	pomolo	knob	pommeau		
13	300918-0-10	1	guida del materiale	fabric guide	guide		
14	310012-4-00	1	guida del materiale completa	fabric guide assembly	guide complète		
15	784304-0-20	1	terghetta classe testa	head class plate	plaque-classe tête		
9	302497-0-10	1	SOLO A RICHIESTA placca ago	ONLY ON REQUEST needle plate	SEULEMENT SUR DEMANDE plaque à aiguille		

From the library of: Diamond Needle Corp



From the library of: Diamond Needle Corp

EVICA
53



From the library of Diamond Needle Corp

88

Fig. N. Abb. N.	Part. N. Bestell. N. Piece N. Pieza N.	Ct. Anzahl	DESCRIZIONE	DESCRIPTION	DESCRIPTION	BENENNUNG	DESCRIPCION
1	990175-0-10	1	oliatore	oiler	graisseur		
2	990474-0-10	1	chiave esagonale da 1,5 mm	1,5 mm hexagonal key	clé hexagonale de 1,5 mm		
3	990181-0-10	1	cacciavite medio	screw-driver	tournevis moyen		
4	990188-0-10	1	infila aghi	needle threading	enfiles aiguilles		
5	990193-0-00	1	chiave da 5-7 mm	5-7 mm key	clé de 5-7 mm		
6	990182-0-10	1	cacciavite piccolo	screw driver	petit tournevis		
7	990587-0-10	1	chiave a tubo da 9 mm	9 mm key	clé a tube de 9 mm		
8	990074-1-11	1	lattina olio Kg. 1	oil container (1 Kg)	bidon huile de 1 Kg		
9	990176-0-10	1	pinza per infilatura	threading tweezers	pince pour infilage		
10	990578-0-12	1	cuffia protez. macchina	machine cover	couverture protection machine		
11	*	1	bustina aghi	needle	paquette aiguille		
			★ per l'ordinazione della bustina citare lo stesso simbolo dell'ago montato sulla testa	to order packet of needles please specify symbol of needle fitted on machine	pour commander un sachet d'aiguille donner le symbol de l'aiguille montée sur la tête		

From the library of: Diamond Needle Corp

DESCRIPTION

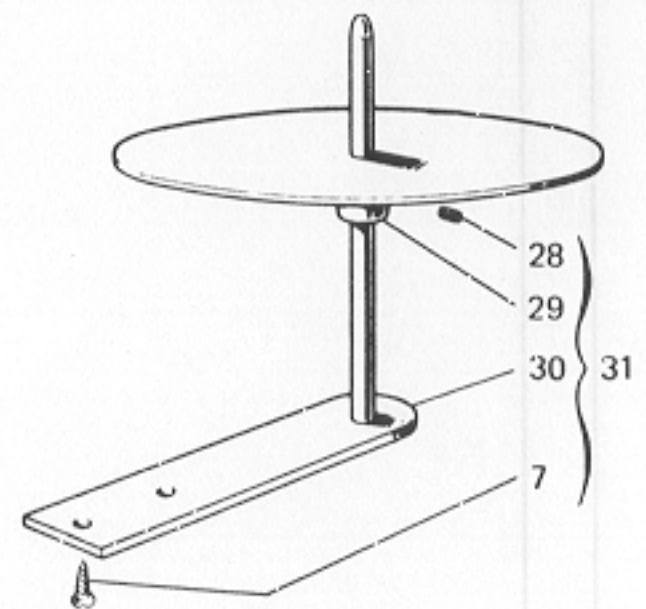
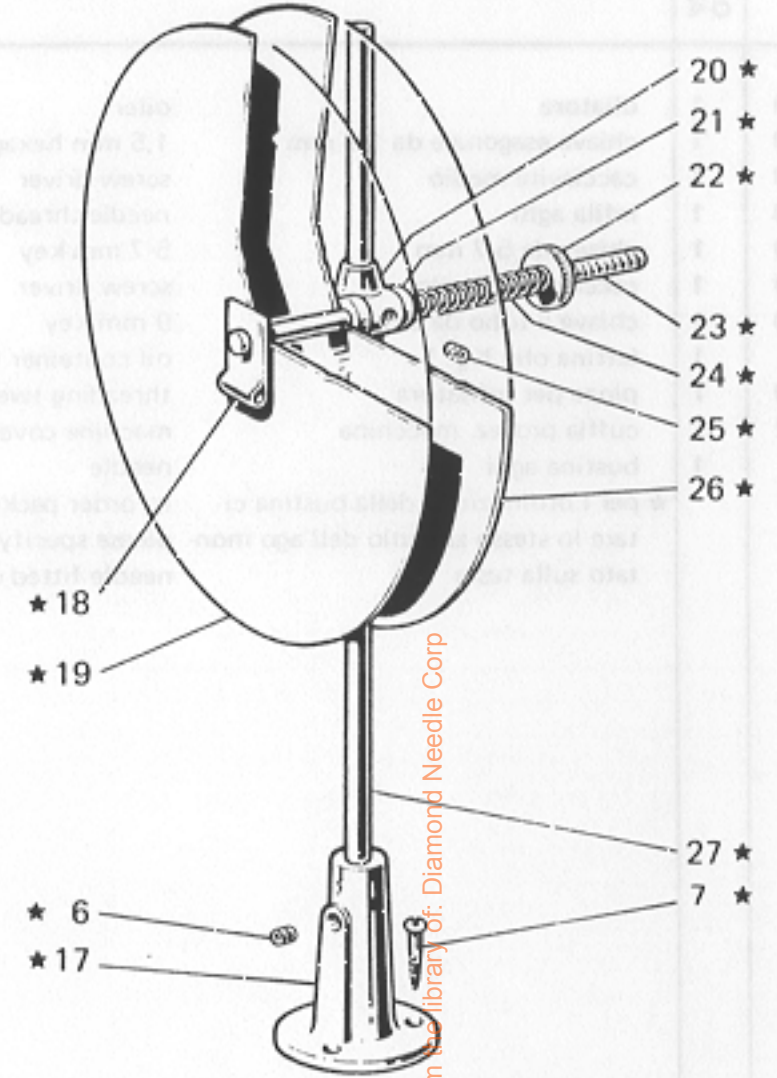
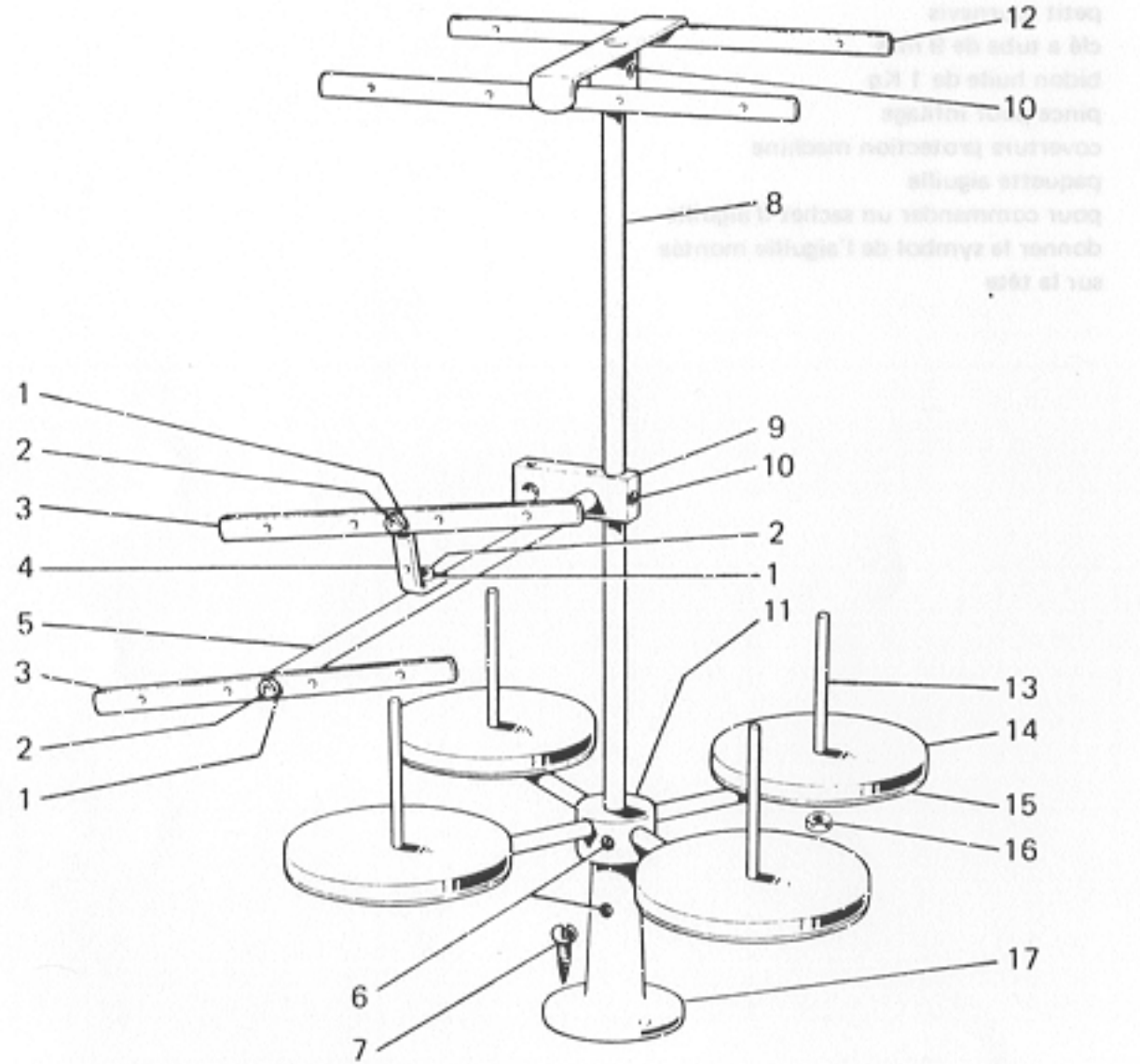
BENENNUNG

DESCRIPTION

DESCRIPTION

DESCRIPTION

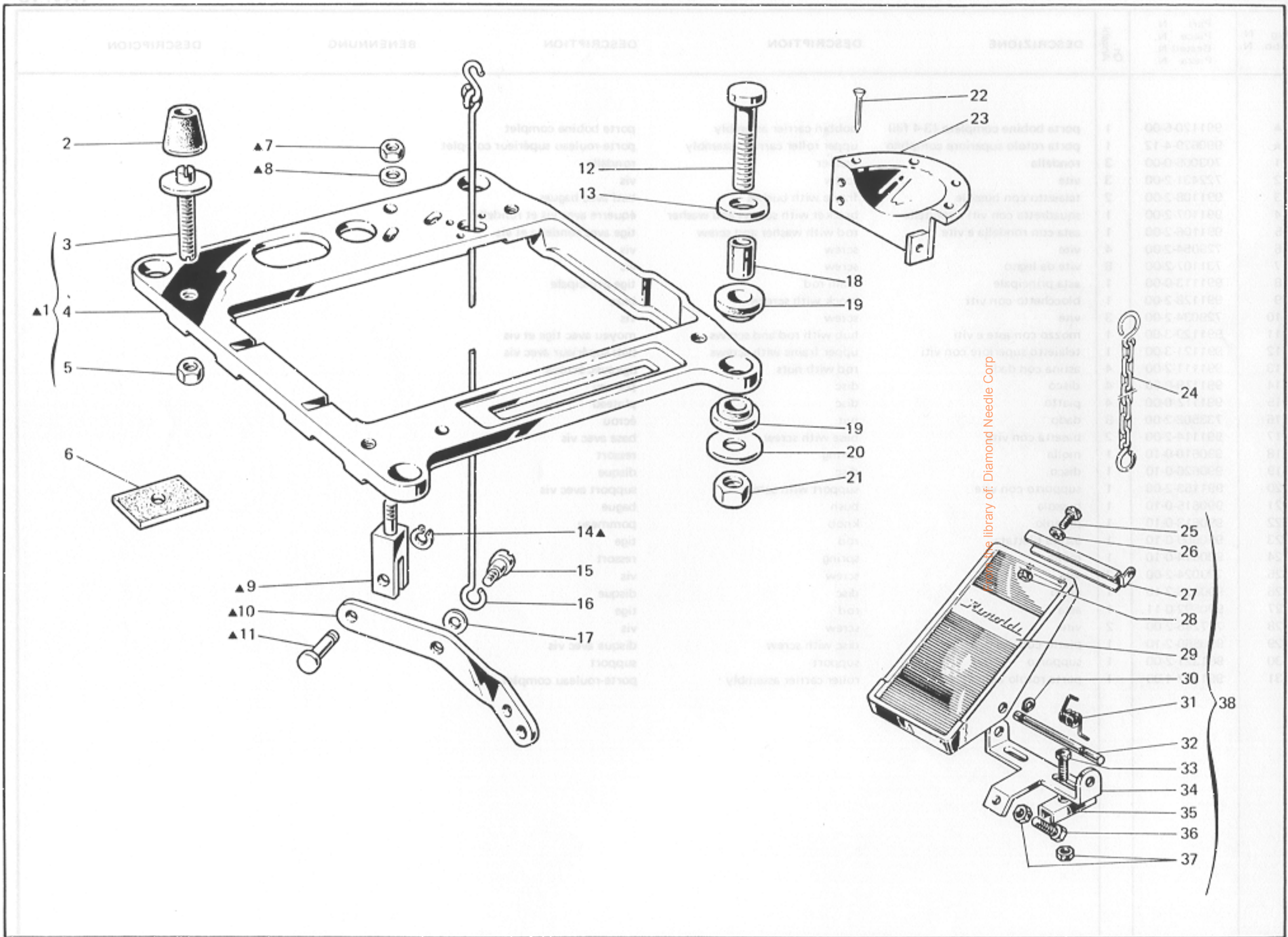
Part. N.
Draw. N.
Part. N.



From the library of: Diamond Needle Corp

Fig. N. Abb. N.	Part. N. Pieça N. Bestell N. Pieza N.	Qt. Anzahl	DESCRIZIONE	DESCRIPTION	DESCRIPTION	BENENNUNG	DESCRIPCION
▲	991120-5-00	1	porta bobine completo (3-4 fili)	bobbin carrier assembly	porte bobine complet		
★	990629-4-12	1	porta rotolo superiore completo	upper roller carrier assembly	porte-rouleau supérieur complet		
1	703005-0-00	3	rondella	washer	rondella		
2	722431-2-00	3	vite	screw	vis		
3	991106-2-00	2	telaio con bussole	frame with bushes	batî avec bagues		
4	991107-2-00	1	squadretta con viti e rondelle	bracket with screws and washer	équerre avec vis et rondelles		
5	991106-2-00	1	asta con rondella e vite	rod with washer and screw	tige avec rondelle et vis		
6	729054-2-00	4	vite	screw	vis		
7	731107-2-00	8	vite da legno	screw	vis		
8	991113-0-00	1	asta principale	main rod	tige principale		
9	991128-2-00	1	blocchetto con viti	block with screws	bloc		
10	729034-2-00	3	vite	screw	vis		
11	991129-3-00	1	mozzo con aste e viti	hub with rod and screws	moyeu avec tige et vis		
12	991121-3-00	1	telaio superiore con viti	upper frame with screws	bâti supérieur avec vis		
13	991111-2-00	4	astina con dadi	rod with nuts	tige avec écrous		
14	991179-0-00	4	disco	disc	plateau		
15	991112-0-00	4	piatto	disc	plateau		
16	733508-2-00	8	dado	nut	écrou		
17	991114-2-00	2	basetta con vite	base with screw	base avec vis		
18	990610-0-10	1	molla	spring	ressort		
19	990626-0-10	1	disco	disc	disque		
20	991153-2-00	1	supporto con vite	support with screw	support avec vis		
21	990615-0-10	1	bussola	bush	bague		
22	990613-0-10	1	pomolo	knob	pommeau		
23	990609-0-10	1	astina filettata	rod	tige		
24	990614-0-10	1	molla	spring	ressort		
25	729024-2-00	2	vite	screw	vis		
26	990628-2-10	1	disco	disc	disque		
27	990592-0-11	1	asta	rod	tige		
28	727245-2-00	2	vite	screw	vis		
29	990560-2-10	1	piatto con viti	disc with screw	disque avec vis		
30	991321-2-00	1	supporto	support	support		
31	991322-4-00	1	porta rotolo completo	roller carrier assembly	porte-rouleau complet		

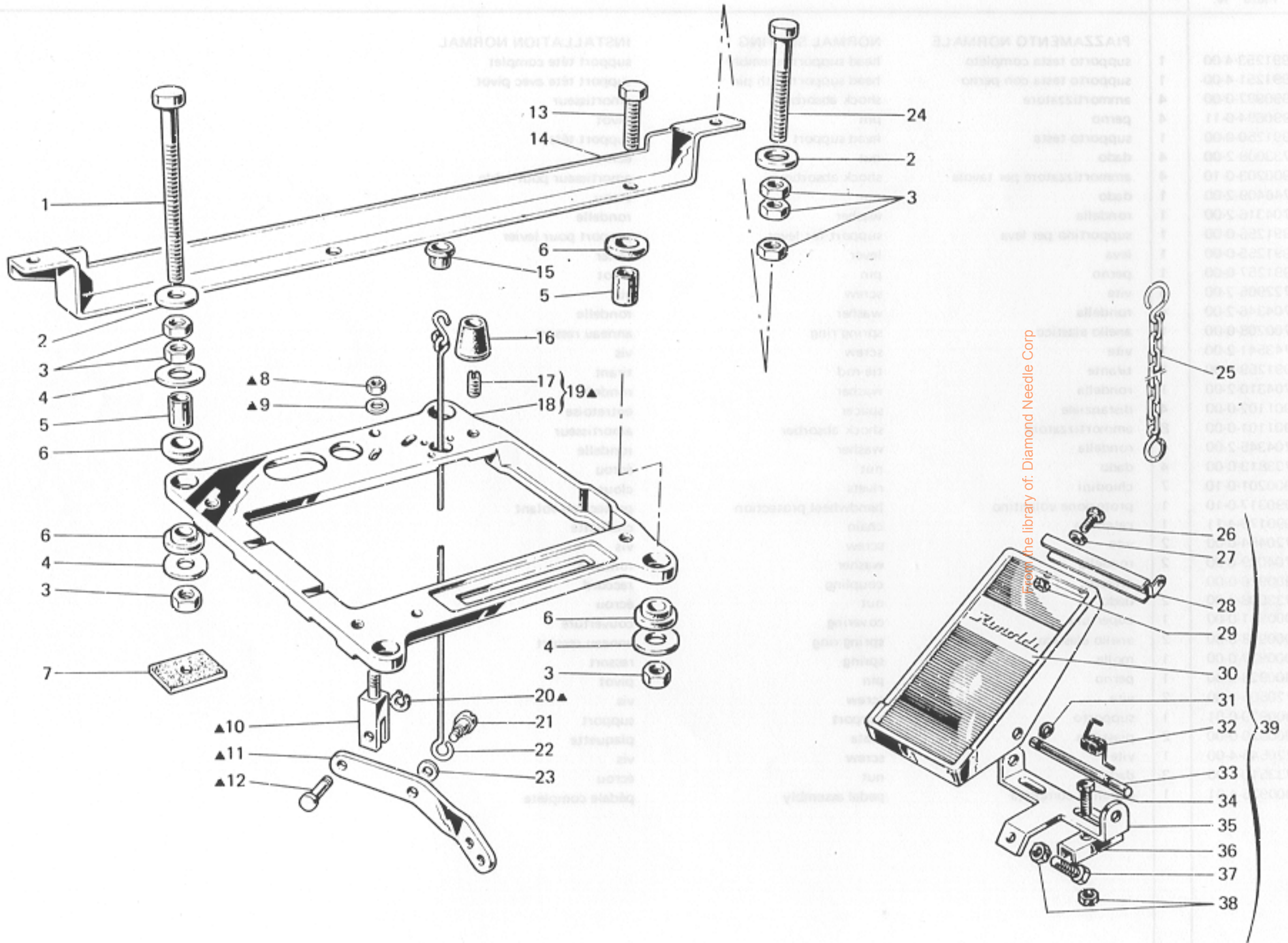
From the library of: Diamond Needle Corp



Diamond Needle Corp

Fig. N. Abb.	Part. N. Bestell N. Pieza N.	Qt. Anzahi	DESCRIZIONE	DESCRIPTION	DESCRIPTION	BENENNUNG	DESCRIPCION
▲	991253-4-00	1	PIAZZAMENTO NORMALE	NORMAL SETTING	INSTALLATION NORMAL		
1	991251-4-00	1	supporto testa completo	head support assembly	support tête complet		
2	990982-0-00	4	supporto testa con perno	head support with pin	support tête avec pivot		
3	990694-0-11	4	ammortizzatore	shock absorber	amortisseur		
4	991250-0-00	1	perno	pin	pivot		
5	733008-2-00	4	supporto testa	head support	support tête		
6	900203-0-10	4	dado	nut	écrou		
7	746409-2-00	4	ammortizzatore per tavola	shock absorber	amortisseur pour table		
8	704316-2-00	1	dado	nut	écrou		
9	704316-2-00	1	rondella	washer	rondelle		
10	991256-0-00	1	supportino per leva	support for lever	support pour levier		
11	991255-0-00	1	leva	lever	levier		
12	991257-0-00	1	perno	pin	pivot		
13	722905-2-00	4	vite	screw	vis		
14	704346-2-00	4	rondella	washer	rondelle		
15	700208-0-00	1	anello elastico	spring ring	anneau ressort		
16	743541-2-00	1	vite	screw	vis		
17	991259-3-00	1	tirante	tie-rod	tirant		
18	704310-2-00	1	rondella	washer	rondelle		
19	901102-0-00	4	distanziale	spacer	entretoise		
20	901101-0-00	8	ammortizzatore	shock absorber	amortisseur		
21	704345-2-00	4	rondella	washer	rondelle		
22	733813-0-00	4	dado	nut	écrou		
23	900201-0-10	7	chiodini	rivets	clous		
24	990317-0-10	1	protezione volante	handwheel protection	protection volant		
25	990179-4-11	1	catenella	chain	chaînette		
26	720464-0-00	2	vite	screw	vis		
27	704009-0-00	2	rondella	washer	rondelle		
28	900926-0-00	1	attacco	coupling	raccord		
29	733508-4-00	2	dado	nut	écrou		
30	900931-0-00	1	copertura	covering	couverture		
31	900918-0-00	2	anello elastico	spring ring	anneau ressort		
32	900927-0-00	1	molla	spring	ressort		
33	900928-0-00	1	perno	pin	pivot		
34	720505-4-00	2	vite	screw	vis		
35	900929-0-01	1	supporto	support	support		
36	900920-0-00	2	piastrina	plate	plaquette		
37	720545-4-00	1	vite	screw	vis		
38	733510-4-00	3	dado	nut	écrou		
38	900925-4-01	1	pedalina completa	pedal assembly	pédale complète		

From the library of: Diamond Needle Corp

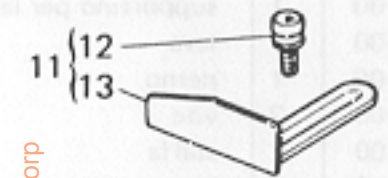
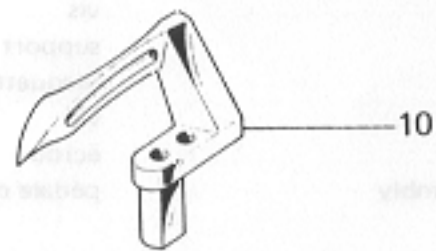
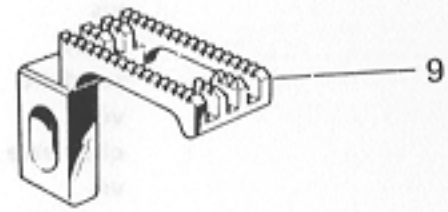
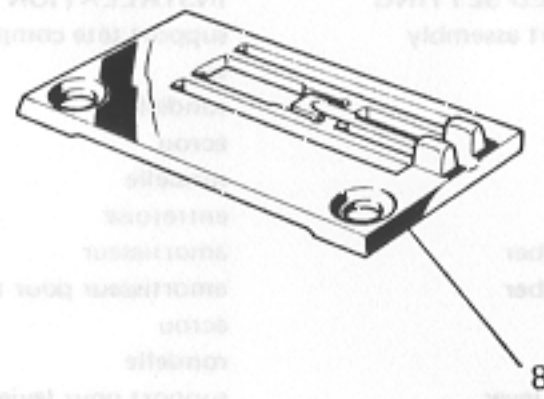
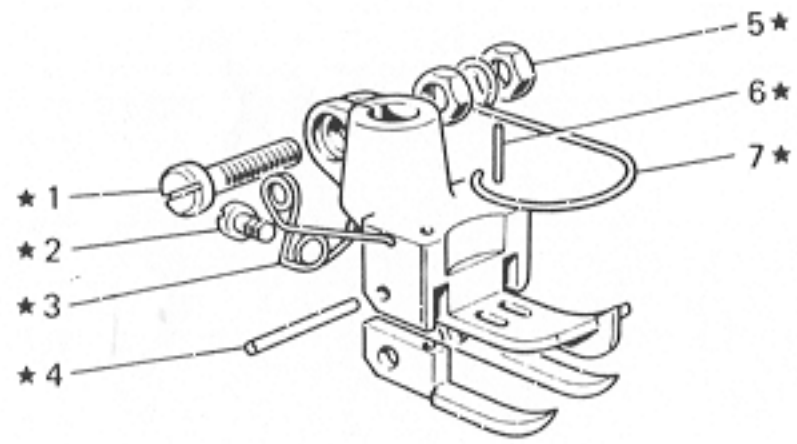


From the library of: Diamond Needle Corp

Fig. N. Abb.	Part. N. Bestell N. Piece N. Pieza N.	Qt. Anzahl	DESCRIZIONE	DESCRIPTION	DESCRIPTION	BENENNUNG	DESCRIPCION
▲	991254-4-00	1	PIAZZAMENTO INCASSATO	SUBMERGED SETTING	INSTALLATION ENCASTREE		
1	722920-2-00	2	supporto testa completo	head support assembly	support tête complet		
2	704346-2-00	4	vite	screw	vis		
3	704346-2-00	4	rondella	washer	rondelle		
4	733813-0-00	14	dado	nut	écrou		
5	704345-2-00	6	rondella	washer	rondelle		
6	901102-0-00	4	distanziale	spacer	entretoise		
7	901101-0-00	8	ammortizzatore	shock absorber	amortisseur		
8	900203-0-10	4	ammortizzatore,per tavola	shock absorber	amortisseur pour table		
9	746409-2-00	1	dado	nut	écrou		
10	704316-2-00	1	rondella	washer	rondelle		
11	991256-0-00	1	supportino per leva	support for lever	support pour levier		
12	991255-0-00	1	leva	lever	levier		
13	991257-0-00	1	perno	pin	pivot		
14	720546-0-00	2	vite	screw	vis		
15	901251-2-00	1	staffa	bracket	bride		
16	900204-0-10	1	bussola	bush	bague		
17	990982-0-00	4	ammortizzatore	shock absorber	amortisseur		
18	901253-0-00	4	vite	screw	vis		
19	991250-0-00	1	supporto testa	head support	support tête		
20	991252-4-00	1	supporto testa con viti	head support with screws	support tête avec vis		
21	700208-0-00	1	anello elastico	spring ring	anneau ressort		
22	743541-2-00	1	vite	screw	vis		
23	991259-3-00	1	tirante	tie-rod	tirant		
24	704310-2-00	1	rondella	washer	rondelle		
25	722907-2-00	2	vite	screw	vis		
26	990179-4-11	1	catenella	chain	chaînette		
27	720464-0-00	2	vite	screw	vis		
28	704009-0-00	2	rondella	washer	rondelle		
29	900926-0-00	1	attacco	coupling	raccord		
30	733508-4-00	2	dado	nut	écrou		
31	900931-0-00	1	copertura	covering	couverture		
32	900918-0-00	2	anello elastico	spring ring	anneau ressort		
33	900927-0-00	1	molla	spring	ressort		
34	900928-0-00	1	perno	pin	pivot		
35	720505-4-00	2	vite	screw	vis		
36	900929-0-01	1	supporto	support	support		
37	900920-0-00	2	piastrina	plate	plaquette		
38	720545-4-00	1	vite	screw	vis		
39	733510-4-00	3	dado	nut	écrou		
39	900925-4-01	1	pedalina completa	pedal assembly	pédale complète		

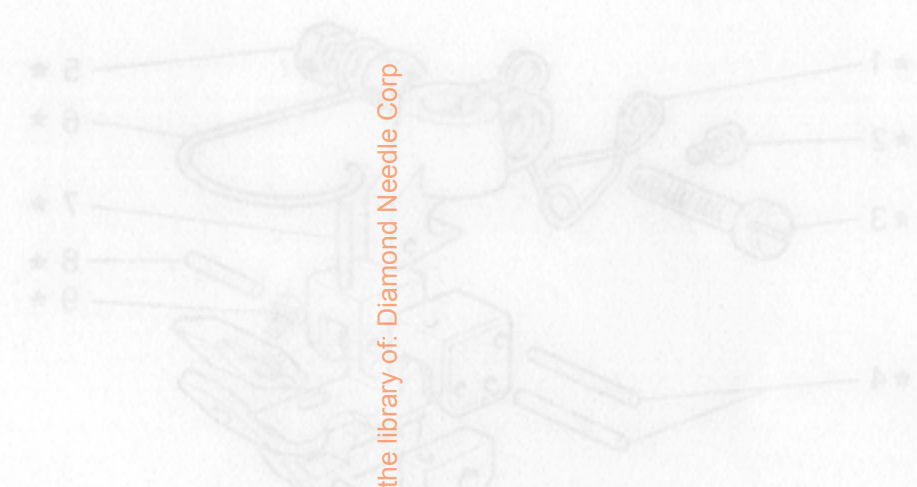
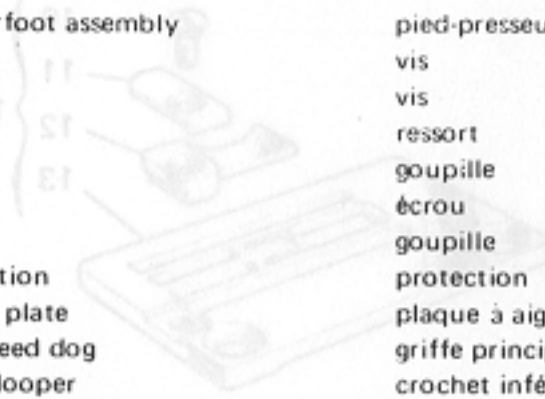
From the library of: Diamond Needle Corp

*1
EV16II H
53



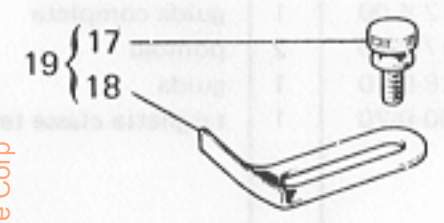
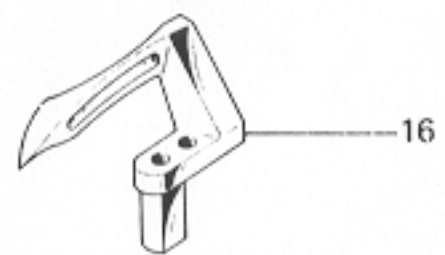
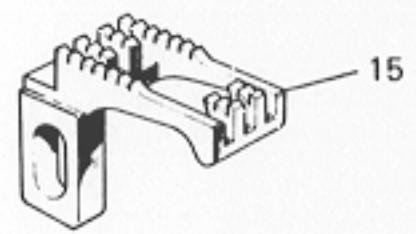
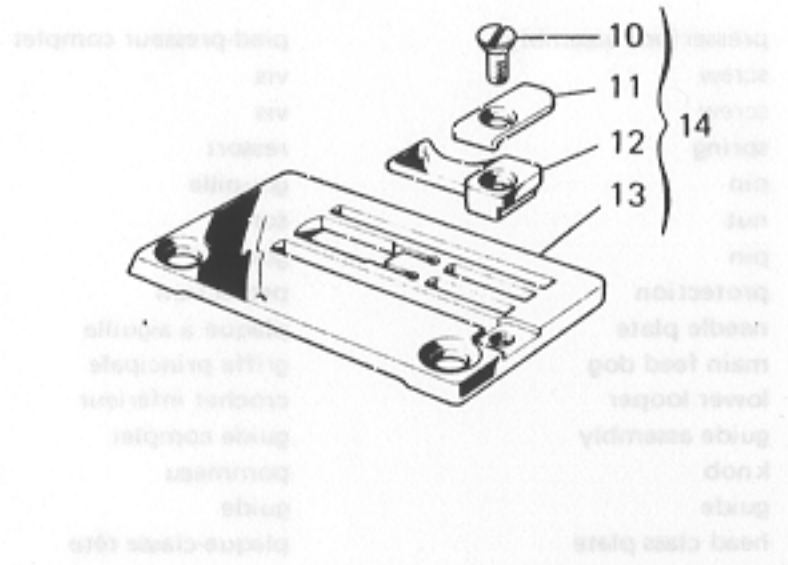
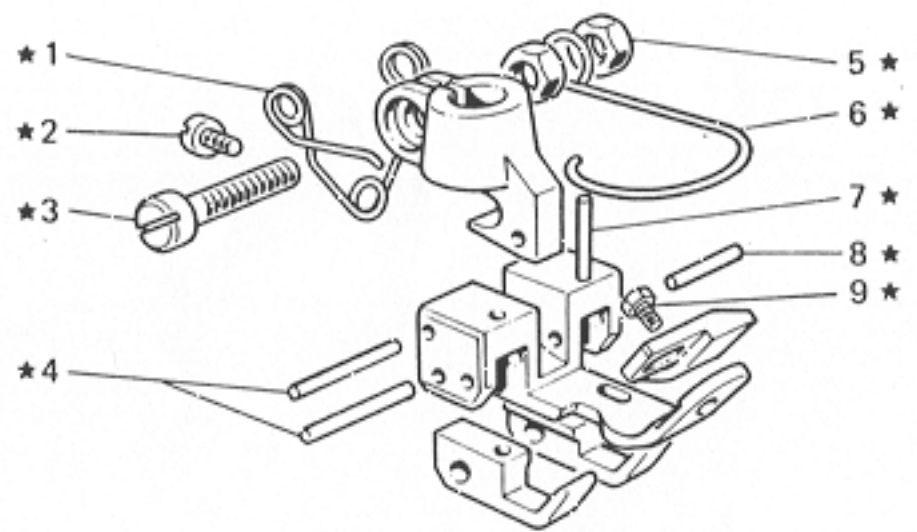
From the library of: Diamond Needle Corp

Fig. N. Abb. N.	Part. N. Bestell N. Pieza N.	Qt. Anzahl	DESCRIZIONE	DESCRIPTION	DESCRIPTION	BENENNUNG	DESCRIPCION
★	306613-3-00	1	piedino completo	presserfoot assembly	pied-presseur complet		
1	741781-2-00	1	vite	screw	vis		
2	741620-2-00	1	vite	screw	vis		
3	300291-0-11	1	molla	spring	ressort		
4	301032-0-10	1	spina	pin	goupille		
5	733504-2-00	2	dado	nut	écrou		
6	306688-0-00	2	spina	pin	goupille		
7	990808-0-00	1	salvadita	protection	protection		
8	302508-2-10	1	placca ago	needle plate	plaque à aiguille		
9	302489-0-11	1	griffa principale	main feed dog	griffe principale		
10	302057-0-11	1	crochet inferiore	lower looper	crochet inférieur		
11	310012-4-00	1	guida completa	guide assembly	guide complet		
12	300917-0-10	2	pomolo	knob	pommeau		
13	300918-0-10	1	guida	guide	guide		
14	784300-0-20	1	targhetta classe testa	head class plate	plaque-classe tête		



From the library of: Diamond Needle Corp

53

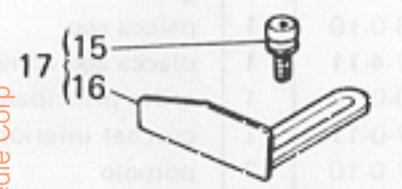
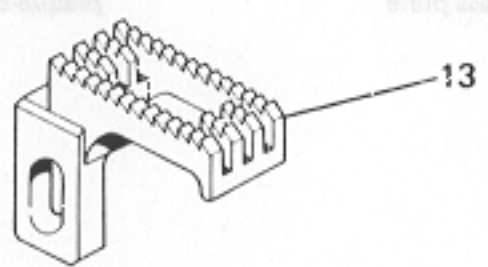
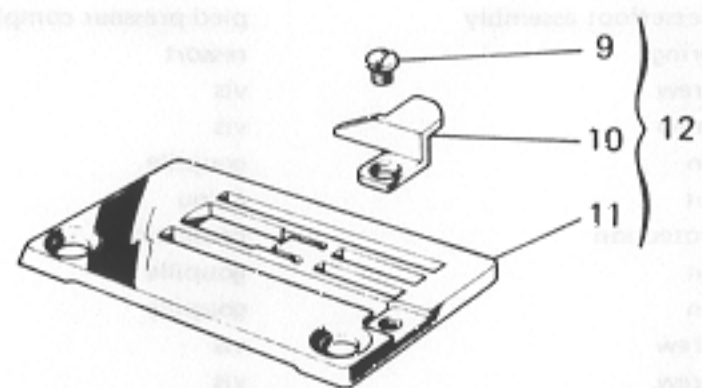
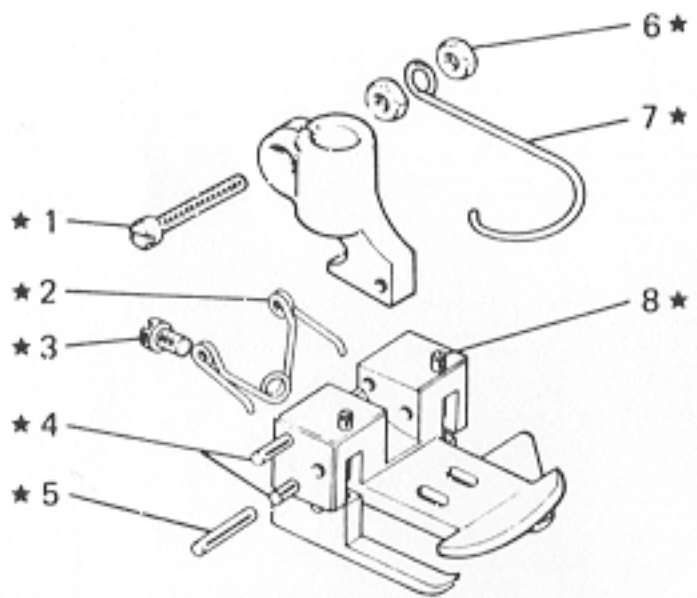


From the library of: Diamond Needle Corp

Fig. N. Abb. N.	Part. N. Bestell N. Piece N. Pieza N.	Qt. Anzahl	DESCRIZIONE	DESCRIPTION	DESCRIPTION	BENENNUNG	DESCRIPCION
●	308934-4-00	1	gruppo tensione crochet infer.	tension assembly for lower looper	groupe tension crochet inférieur		
1	308556-0-00	1	astina	rod	tige		
2	705201-0-00	1	rondella	washer	rondelle		
3	740220-2-00	1	vite	screw	vis		
4	741413-2-00	2	vite	screw	vis		
5	302172-0-10	2	passafilo	thread guide	passe-fil		
6	741612-0-00	1	vite	screw	vis		
7	308558-0-00	1	traversino	tie-rod	traverse		
8	302204-0-10	1	pomolo	knob	pommeau		
9	300310-0-10	1	molla	spring	ressort		
10	704218-2-00	1	rondella	washer	rondelle		
11	200324-0-10	2	disco tensione	tension disc	disque tension		
12	300391-0-10	1	perno a vite	threaded pin	pivot à vis		
13	741642-2-00	1	vite	screw	vis		
14	302168-2-10	1	supporto	support	support		
15	308553-2-00	1	piastra	plate	plaque		
16	721444-2-00	2	vite	screw	vis		
17	308551-0-00	1	squadretta	bracket	équerre		
18	704302-4-00	3	rondella	washer	rondelle		
19	740210-2-00	2	vite	screw	vis		
20	302064-0-10	1	salva ago	needle guard	pare-aiguille		
21	300483-0-10	2	vite	screw	vis		
22	302136-0-10	1	passafilo	thread guide	passe-fil		
23	308137-0-00	1	cavallotto	coupling	cavalier		
24	308201-0-01	1	passafilo	thread guide	passe-fil		
25	724420-2-00	1	vite	screw	vis		
26	729011-2-00	1	vite	screw	vis		
27	741682-0-00	1	vite	screw	vis		
28	302149-0-11	1	passafilo	thread guide	passe-fil		
29	311098-0-00	2	passafilo	thread guide	passe-fil		
30	704210-4-00	2	rondella	washer	rondelle		
31	300483-0-10	2	vite	screw	vis		
32	308203-0-01	2	guidafilo	thread guide	guide-fil		
33	303045-0-10	2	vite	screw	vis		

Fig. N. Abb. N.	Part. N. Piece N. Bestell N. Pieza N.	Qt. Anzahl	DESCRIZIONE	DESCRIPTION	DESCRIPTION	BENENNUNG	DESCRIPCION
★	306625-3-01	1	piedino completo	presserfoot assembly	pied-presseur complet		
1	300291-0-11	1	molla	spring	ressort		
2	74162C 2-00	1	vite	screw	vis		
3	741781-2-00	1	vite	screw	vis		
4	300289-0-10	2	spina	pin	goupille		
5	733504-2-00	2	dado	nut	écrou		
6	990808 0-00	1	salvadita	protection	protection		
7	306688-0-00	2	spina	pin	goupille		
8	706431-0-00	1	spina	pin	goupille		
9	302658-0-10	1	vite	screw	vis		
10	724430-0-00	1	vite	screw	vis		
11	302693-0-00	1	piastrina	plate	plaque		
12	302694-0-00	1	guida	guide	guide		
13	302509-0-10	1	piacca ago	needle plate	plaque à aiguille		
14	302512-4-11	1	placca ago completa	needle plate assembly	plaque à aiguille complète		
15	302490-0-11	1	griffa principale	main feed dog	griffe principale		
16	302057-0-11	1	crochet inferiore	lower looper	crochet inférieur		
17	300917-0-10	2	pomolo	knob	pommeau		
18	302585-0-10	1	guida	guide	guide		
19	310014-4-00	1	guida del materiale completa	fabric guide assembly	guide du tissu complet		
20	784300-0-20	1	targhetta classe testa	head class plate	plaque-classe tête		
37	Tav. 3 ^{not shown} 309238-0-00	1	piastra piano di lavoro	working plate	plaque plan de travail		

*
EV165
53



From the library of: Diamond Needle Corp

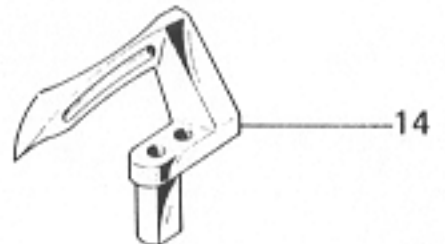
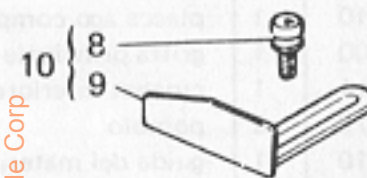
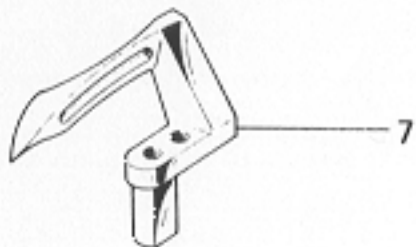
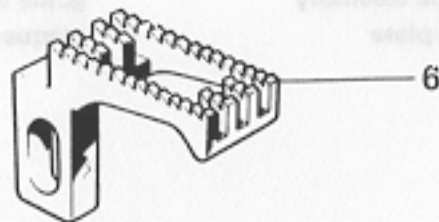
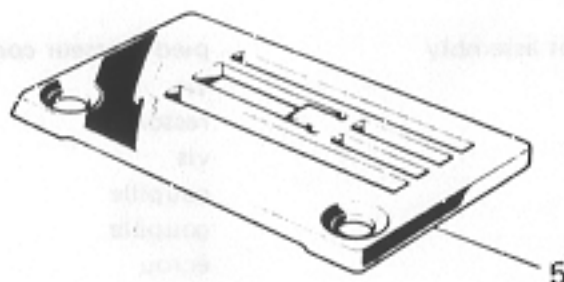
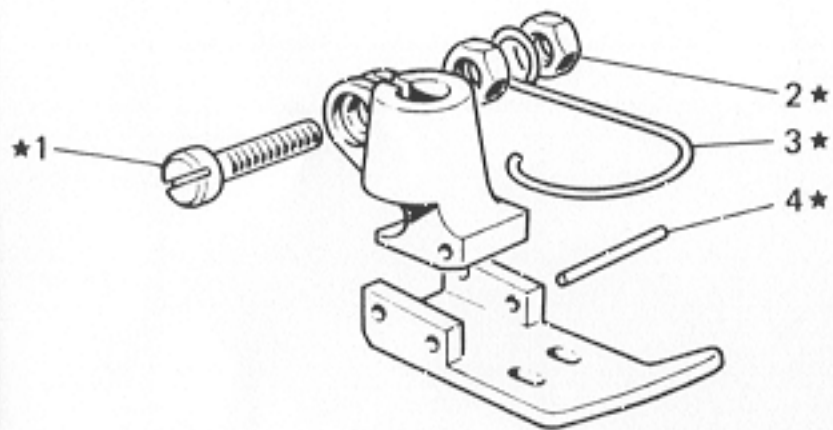


Fig. N. Abb. N.	Part. N. Bestell N. Piece N. Pieza N.	Ct. Anzahl	DESCRIZIONE	DESCRIPTION	DESCRIPTION	BENENNUNG	DESCRIPCION
★	306611-3-00	1	pedino completo	presserfoot assembly	ped-presseur complet		
1	741781-2-00	1	vite	screw	vis		
2	300291-0-11	1	molla	spring	ressort		
3	741620-2-00	1	vite	screw	vis		
4	300289-0-10	2	spina	pin	goupille		
5	704641-0-00	1	spina	pin	goupille		
6	733504-2-00	2	dado	nut	écrou		
7	990808-0-00	1	salvadita	protection	protection		
8	306688-0-00	2	spina	pin	goupille		
9	300952-0-10	1	vite	screw	vis		
10	302513-0-10	1	guida	guide	guide		
11	302509-0-10	1	placca ago	needle plate	plaque à aiguille		
12	302510-4-10	1	piacca ago completa	needle plate assembly	plaque à aiguille complète		
13	305248-0-00	1	griffa principale	main feed dog	griffe principale		
14	302057-0-11	1	crochet inferiore	lower looper	crochet inférieur		
15	300917-0-10	2	pomolo	knob	pommeau		
16	300918-0-10	1	guida del materiale	fabric guide	guide du tissu		
17	310012-4-00	1	guida del materiale completa	fabric guide assembly	guide du tissu complet		
18	784300-0-20	1	targhetta classe testa	head class plate	plaque-classe tête		

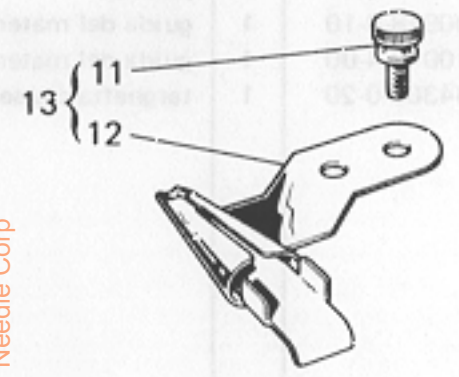
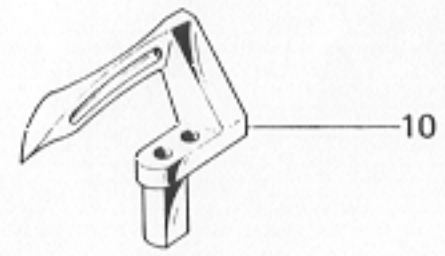
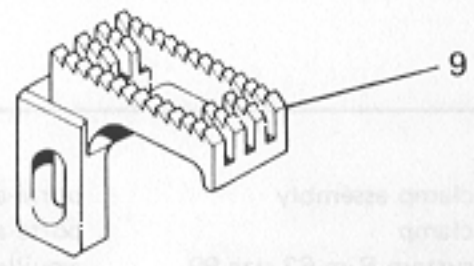
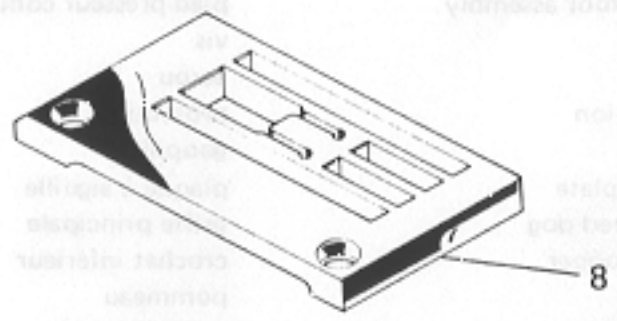
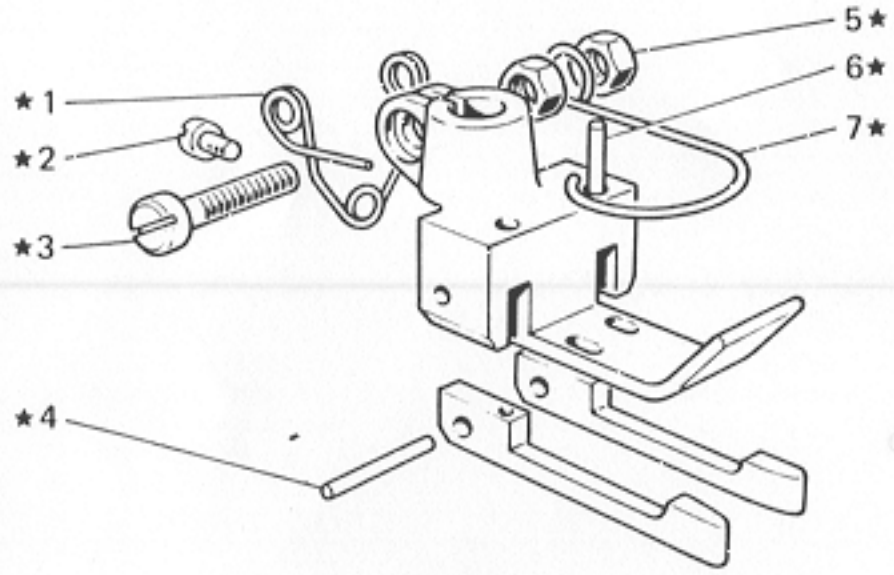
*1
EV16K
53



From the library of: Diamond Needle Corp

Fig. N. Abb. N.	Part. N. Bestell N. Pieza N.	Qt. Anzahl	DESCRIZIONE	DESCRIPTION	DESCRIPTION	BENENNUNG	DESCRIPCION
★	306616-3-00	1	piedino completo	presserfoot assembly	pied-presseur complet		
1	741781-2-00	1	vite	screw	vis		
2	733504-2-00	2	dado	nut	écrou		
3	990808-0-00	1	salvadita	protection	protection		
4	706471-0-00	2	spina	pin	goupille		
5	302643-0-10	1	placca ago	needle plate	plaque à aiguille		
6	305249-0-00	1	griffa principale	main feed dog	griffe principale		
7	302057-0-11	1	crochet inferiore	lower looper	crochet inférieur		
8	300917-0-10	2	pomolo	knob	pommeau		
9	300918-0-10	1	guida del materiale	fabric guide	guide du tissu		
10	310012-4-00	1	guida del materiale completa	fabric guide assembly	guide du tissu complet		
11	784300-0-20	1	targhetta classe testa	head class plate	plaque-classe tête		
▲	Tav. 8 EV-16-e 309807-4-00	1	morsetto porta aghi completo	needle clamp assembly	porte-aiguilles complet		
30	309757-2-00	1	morsetto porta aghi	needle clamp	porte-aiguilles		
32	766000-6-90	2	ago sist. Rim 63 fin. 90	needle system Rim 63 size 90	aiguille syst. Rim 63 jauge 90		

EV16L
53



14

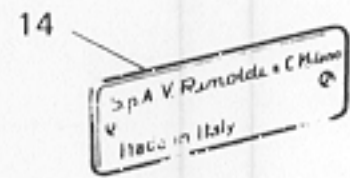
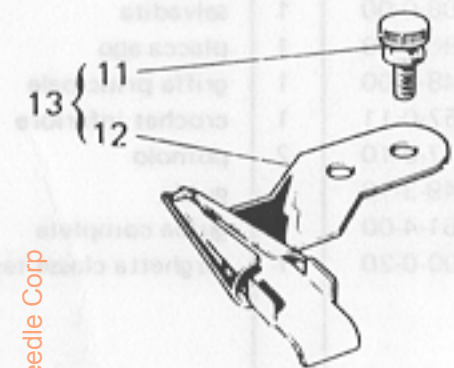
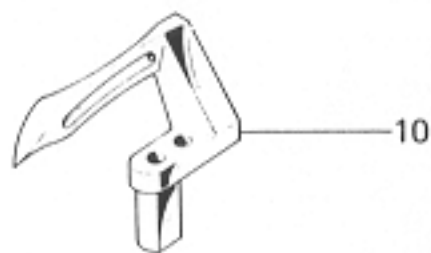
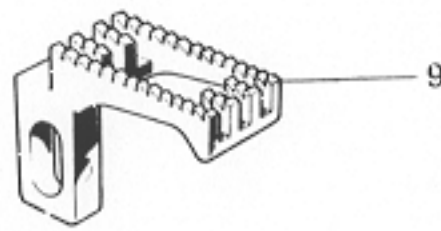
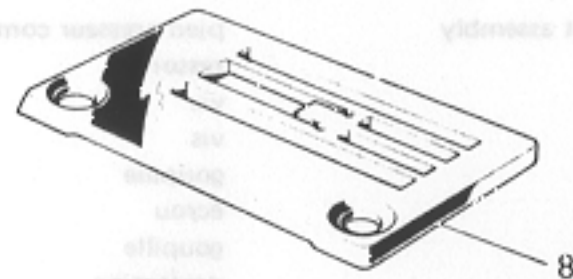
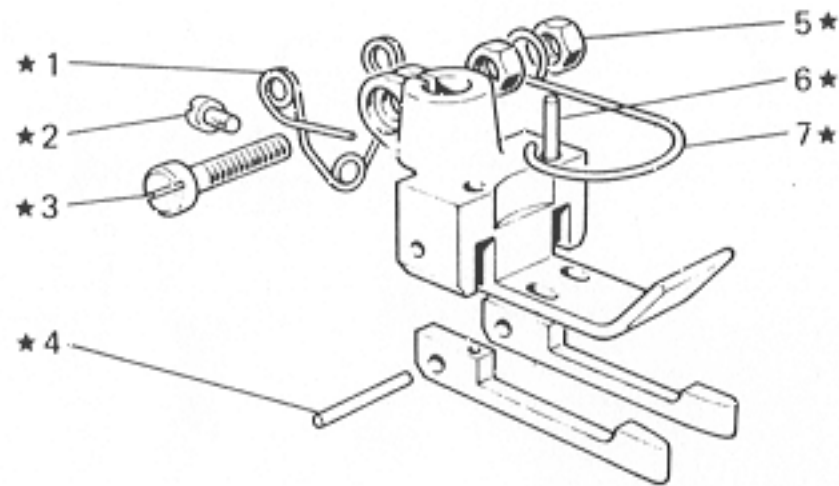
S.p.A. V. Remoldi & C. Milano
Made in Italy

From the library of: Diamond Needle Corp

Fig. N. Abb. N.	Part. N. Bestell N. Piece N. Pieza N.	Qt. Anzahl	DESCRIZIONE	DESCRIPTION	DESCRIPTION	BENENNUNG	DESCRIPCION
★	306633-3-01	1	piedino completo	presserfoot assembly	pied-presseur complet		
1	300291-0-11	1	molla	spring	ressort		
2	741620-2-00	1	vite	screw	vis		
3	741781-2-00	1	vite	screw	vis		
4	300289-0-10	1	spina	pin	goupille		
5	733504-2-00	2	dado	nut	écrou		
6	306688-0-00	2	spina	pin	goupille		
7	990808-0-00	1	salvadita	protection	protection		
8	302496-0-10	1	placca ago	needle plate	plaque aiguille		
9	305248-0-00	1	griffa principale	main feed dog	griffe principale		
10	302057-0-11	1	crochet inferiore	lower looper	crochet inférieur		
11	300917-0-10	2	pomolo	knob	pommeau		
12	301049-3-10	1	guida	guide	guide		
13	310061-4-00	1	guida completa	guide assembly	guide complet		
14	784300-0-20	1	targhetta classe testa	head class plate	plaque-classe tête		

From the library of: Diamond Needle Corp

EV16M
53



From the library of: Diamond Needle Corp

Fig. N. Abb. N.	Part. N. Bestell N. Piece N. Pieza N.	Qt. Anzahl	DESCRIZIONE	DESCRIPTION	DESCRIPTION	BENENNUNG	DESCRIPCION
★	306644-3-01	1	piedino completo	presserfoot assembly	pied-presseur complet		
1	300291-0-11	1	molla	spring	ressort		
2	741620-2-00	1	vite	screw	vis		
3	741781-2-00	1	vite	screw	vis		
4	300289-0-10	1	spina	pin	goupille		
5	733504-2-00	2	dado	nut	écrou		
6	306688-0-00	2	spina	pin	goupille		
7	990808-0-00	1	salvadita	protection	protection		
8	302643-0-10	1	placca ago	needle plate	plaque aiguille		
9	305249-0-00	1	griffa principale	main feed dog	griffe principale		
10	302057-0-11	1	crochet inferiore	lower looper	crochet inférieur		
11	300917-0-10	2	pomolo	knob	pommeau		
12	301141-3-10	1	guida	guide	guide		
13	310062-4-00	1	guida completa	guide assembly	guide complet		
14	784300-0-20	1	targhetta classe testa	head class plate	plaque-classe tête		
▲	Tav. 8 <i>CV16-E</i> 309807-4-00	1	morsetto porta aghi completo	needle clamp assembly	porte-aiguilles complet		
30	309757-2-00	1	morsetto porta aghi	needle clamp	porte-aiguilles		
32	766000-6-90	2	ago sist. Rim 63 fin. 90	needle system Rim 63 size 90	aiguille syst. Rim 63 jauge 90		

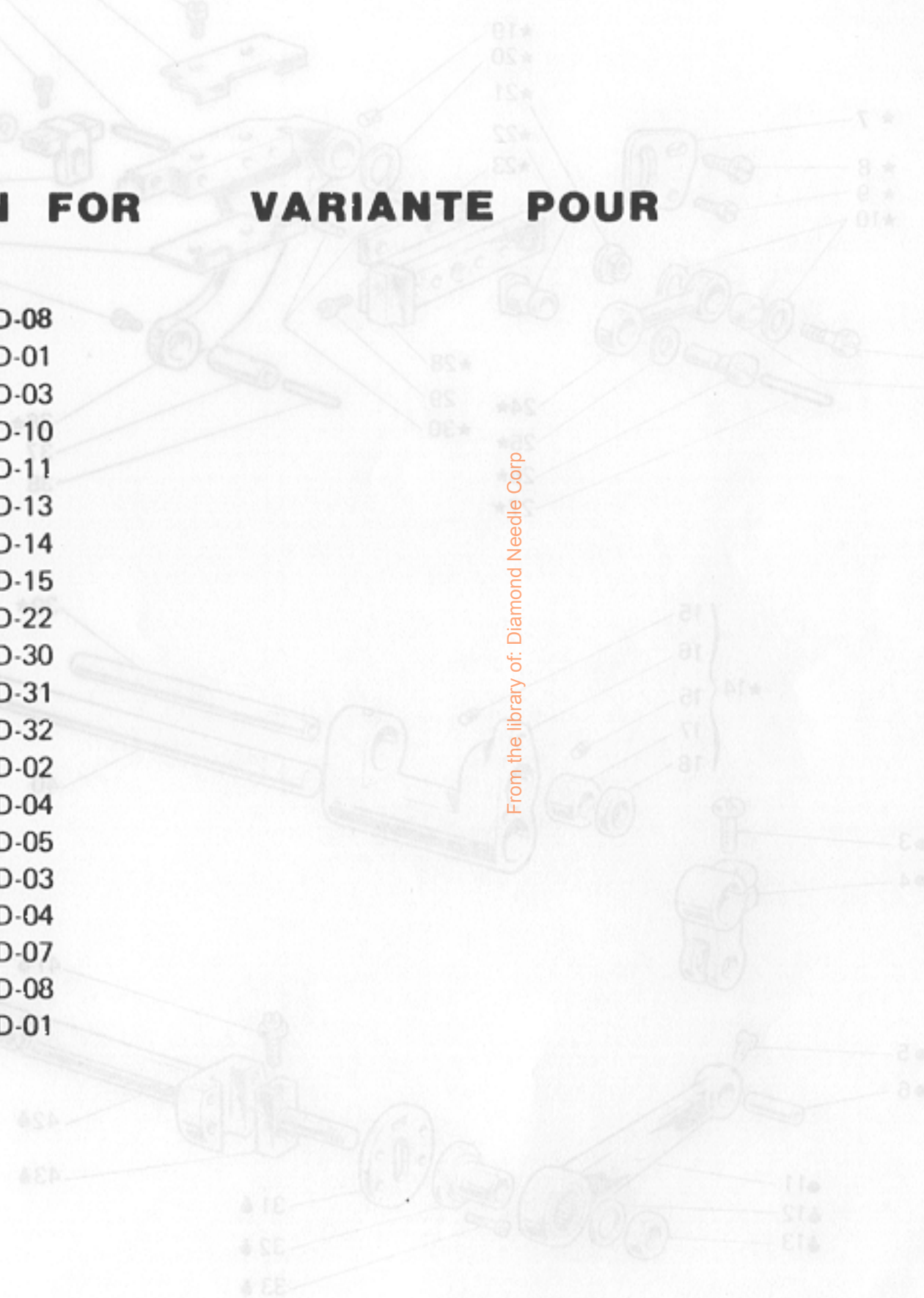
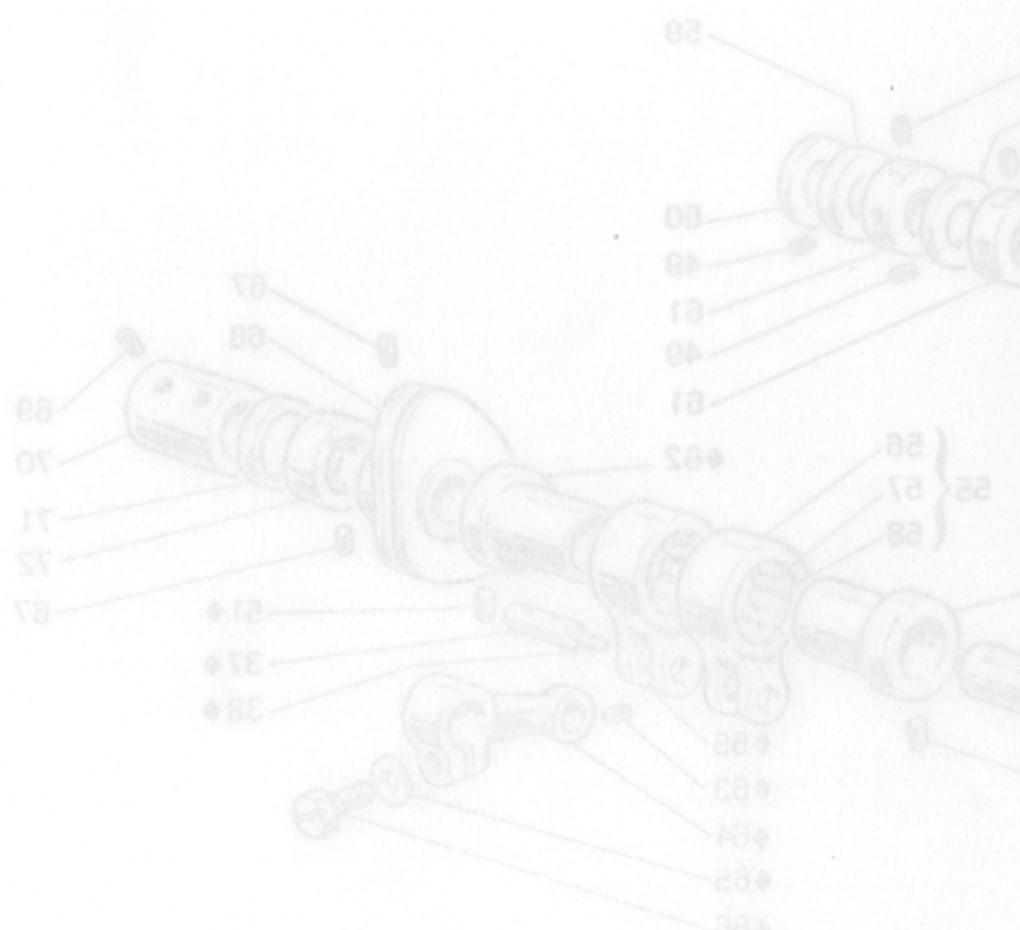


VARIANTE PER

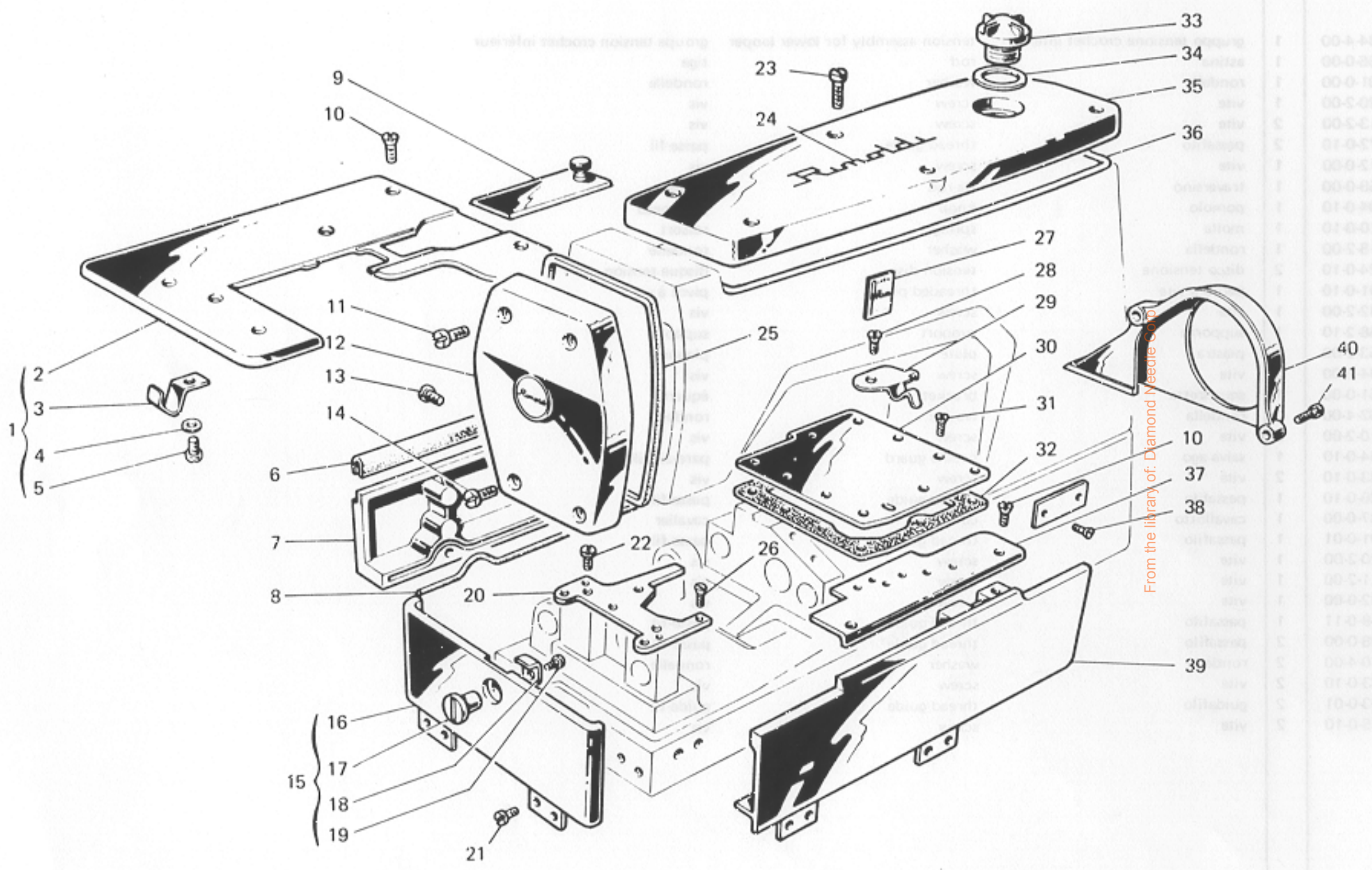
VARIATION FOR

VARIANTE POUR

- 261-10-2MD-08
- 261-06-2MD-01
- 261-06-2MD-03
- 261-10-2MD-10
- 261-10-2MD-11
- 261-10-2MD-13
- 261-10-2MD-14
- 261-10-2MD-15
- 261-10-2MD-22
- 261-10-2MD-30
- 261-10-2MD-31
- 261-10-3MD-32
- 261-16-2MD-02
- 261-16-2MD-04
- 261-17-2MD-05
- 261-38-2MD-03
- 261-38-2MD-04
- 261-38-2MD-07
- 261-38-2MD-08
- 261-38-3MD-01



From the library of: Diamond Needle Corp



From the library of: Diamond Needle Corp.

DESCRIPTION	BENENNUNG	DESCRIPTION	DESCRIPTION	Part No.	Part No.	Part No.
				30834-4-00		
				30835-0-00		
				30836-0-00		
				30837-0-00		
				30838-0-00		
				30839-0-00		
				30840-0-00		
				30841-0-00		
				30842-0-00		
				30843-0-00		
				30844-0-00		
				30845-0-00		
				30846-0-00		
				30847-0-00		
				30848-0-00		
				30849-0-00		
				30850-0-00		
				30851-0-00		
				30852-0-00		
				30853-0-00		
				30854-0-00		
				30855-0-00		
				30856-0-00		
				30857-0-00		
				30858-0-00		
				30859-0-00		
				30860-0-00		
				30861-0-00		
				30862-0-00		
				30863-0-00		
				30864-0-00		
				30865-0-00		
				30866-0-00		
				30867-0-00		
				30868-0-00		
				30869-0-00		
				30870-0-00		
				30871-0-00		
				30872-0-00		
				30873-0-00		
				30874-0-00		
				30875-0-00		
				30876-0-00		
				30877-0-00		
				30878-0-00		
				30879-0-00		
				30880-0-00		
				30881-0-00		
				30882-0-00		
				30883-0-00		
				30884-0-00		
				30885-0-00		
				30886-0-00		
				30887-0-00		
				30888-0-00		
				30889-0-00		
				30890-0-00		
				30891-0-00		
				30892-0-00		
				30893-0-00		
				30894-0-00		
				30895-0-00		
				30896-0-00		
				30897-0-00		
				30898-0-00		
				30899-0-00		
				30900-0-00		

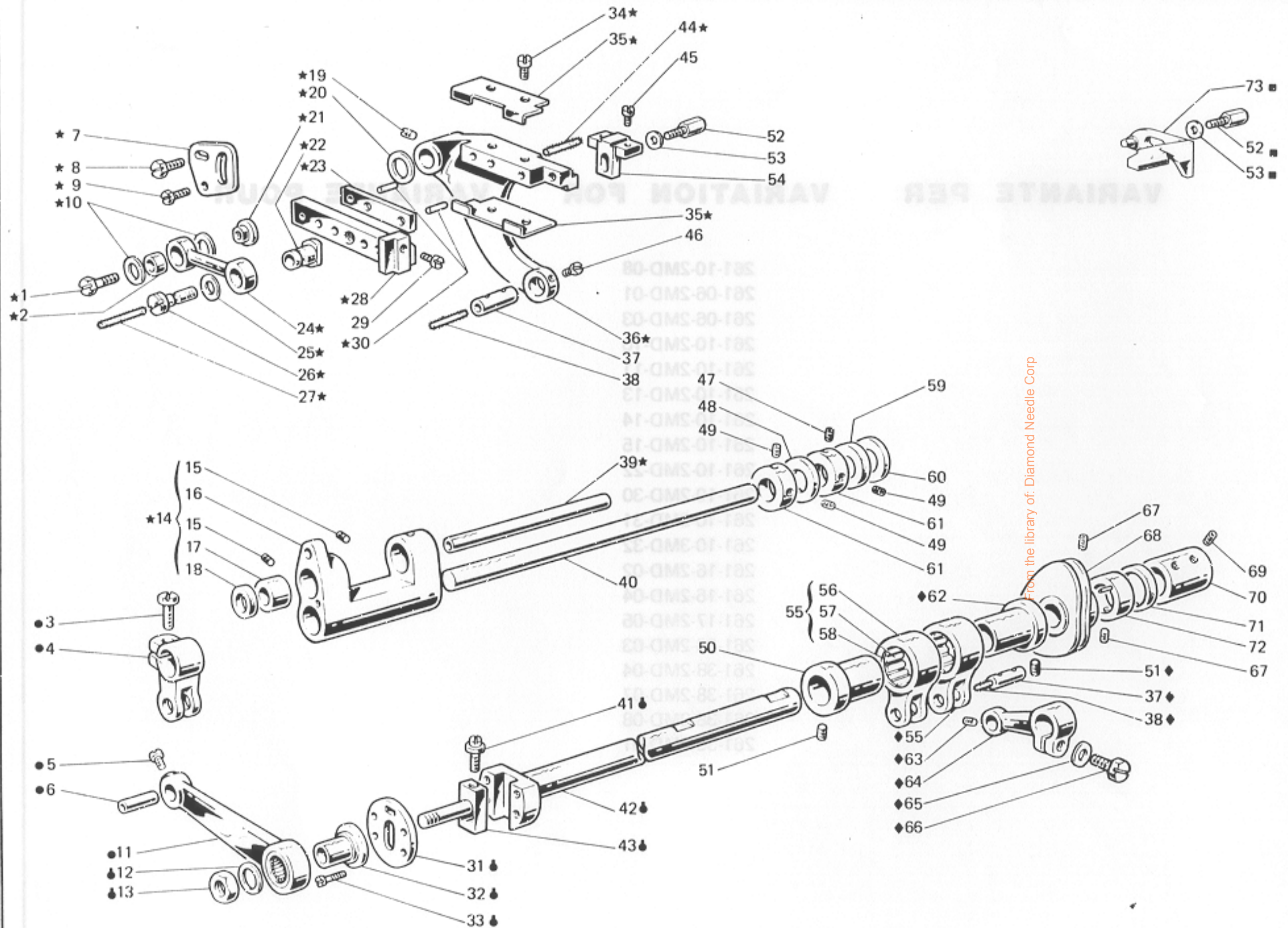
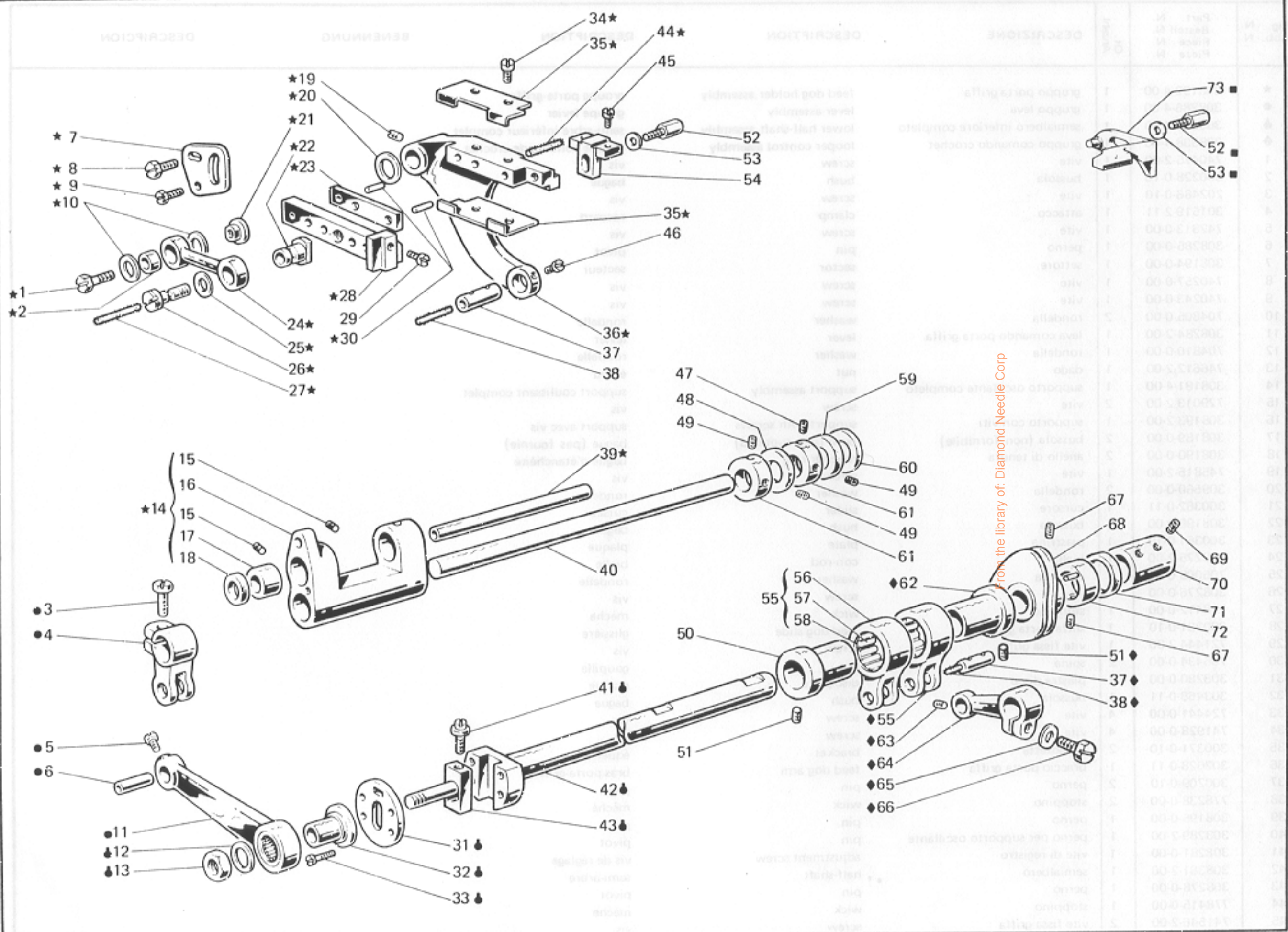


Fig. N. Abb. N.	Part. N. Bestell N. Piece N. Pieza N.	Qt. Anzahl	DESCRIZIONE	DESCRIPTION	DESCRIPTION	BENENNUNG	DESCRIPCION
★	308192-4-00	1	gruppo porta griffa	feed dog holder assembly	groupe porte-griffe		
●	308286-4-00	1	gruppo leva	lever assembly	groupe levier		
◆	308358-4-00	1	semialbero inferiore completo	lower half-shaft assembly	semi-arbre inférieur complet		
◆	308338-4-00	1	gruppo comando crochet	looper control assembly	groupe commande crochet		
1	740475-2-00	1	vite	screw	vis		
2	300228-0-10	1	bussola	bush	bague		
3	202486-0-10	1	vite	screw	vis		
4	301519-2-11	1	attacco	clamp	raccord		
5	742813-0-00	1	vite	screw	vis		
6	308285-0-00	1	perno	pin	pivot		
7	308194-0-00	1	settore	sector	secteur		
8	740257-0-00	1	vite	screw	vis		
9	740243-0-00	1	vite	screw	vis		
10	704805-0-00	2	rondella	washer	rondelle		
11	308284-2-00	1	leva comando porta griffa	lever	levier		
12	704810-0-00	1	rondella	washer	rondelle		
13	746612-2-00	1	dado	nut	écrou		
14	308191-4-00	1	supporto oscillante completo	support assembly	support coulissant complet		
15	729013-2-00	2	vite	screw	vis		
16	308193-2-00	1	supporto con viti	support with screws	support avec vis		
17	308189-0-00	2	bussola (non fornibile)	bush (not supplied)	bague (pas fournie)		
18	308190-0-00	2	anello di tenuta	retainer ring	bague d'étanchéité		
19	745815-2-00	1	vite	screw	vis		
20	309560-0-00	2	rondella	washer	rondelle		
21	300362-0-11	1	cursore	slider	curseur		
22	308196-0-00	1	bussola	bush	bague		
23	300361-0-10	1	piastrina	plate	plaque		
24	308275-2-00	1	biella	con-rod	bielle		
25	705008-0-00	1	rondella	washer	rondelle		
26	308276-0-00	1	vite	screw	vis		
27	778412-0-00	1	stoppino	wick	mèche		
28	300231-0-10	1	slitta porta griffa	feed dog slide	glissière		
29	721444-2-00	1	vite fissa griffa	screw	vis		
30	706434-0-00	2	spina	pin	goupille		
31	308280-0-00	1	piastra disco	disc plate	plaque		
32	303458-0-11	1	bussola	bush	bague		
33	724441-0-00	4	vite	screw	vis		
34	741928-0-00	4	vite	screw	vis		
35	300371-0-10	2	squadretta	bracket	équerre		
36	302028-0-11	1	braccio porta griffa	feed dog arm	bras porte-griffe		
37	300209-0-10	2	perno	pin	pivot		
38	778238-0-00	2	stoppino	wick	mèche		
39	308195-0-00	1	perno	pin	pivot		
40	308289-2-00	1	perno per supporto oscillante	pin	pivot		
41	308281-0-00	1	vite di registro	adjustment screw	vis de réglage		
42	308381-2-00	1	semialbero	half-shaft	semi-arbre		
43	308278-0-00	1	perno	pin	pivot		
44	778415-0-00	1	stoppino	wick	mèche		
45	741546-2-00	2	vite fissa griffa	screw	vis		

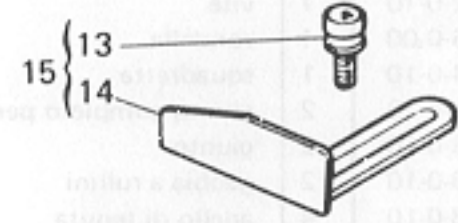
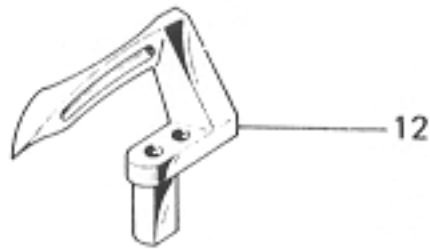
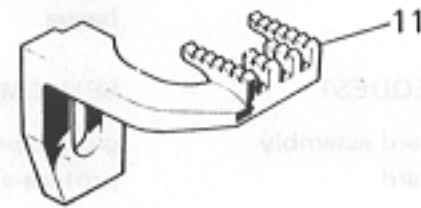
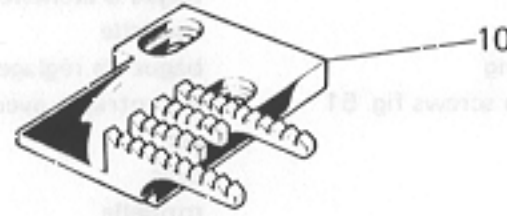
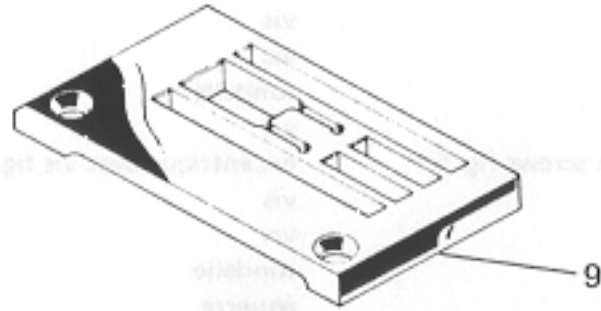
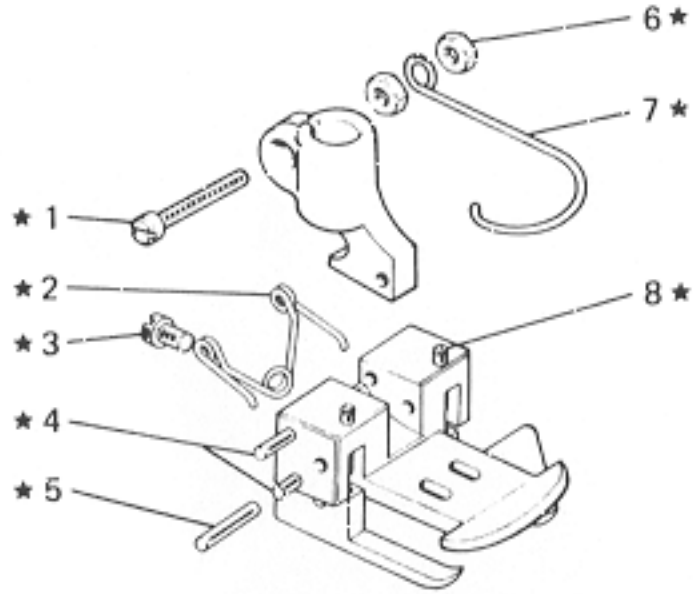
From the library of: Diamond Needle Corp



From the library of: Diamond Needle Corp

Fig. N. Abb. N.	Part. N. Bestell N. Piece N. Pieza N.	Qt. Anzahl	DESCRIZIONE	DESCRIPTION	DESCRIPTION	BENENNUNG	DESCRIPCION
46	742811-0-00	1	vite	screw	vis		
47	728232-0-00	1	vite	screw	vis		
48	704846-0-00	1	rondella	washer	rondelle		
49	745136-2-00	3	vite	screw	vis		
50	308027-2-00	1	eccentrico con viti fig. 51	eccentric with screws fig. 51	excentrique avec vis fig. 51		
51	727834-2-00	4	vite	screw	vis		
52	302152-0-10	1	vite	screw	vis		
53	704406-0-00	1	rondella	washer	rondelle		
54	300364-0-10	1	squadretta	bracket	équerre		
55	301459-4-10	2	giunto completo per eccentrico	joint assembly for eccentric	joint compl. pour excentrique		
56	301458-0-10	2	giunto	joint	joint		
57	301579-0-10	2	gabbia a rullini	roller cage	cage à aiguilles		
58	201143-0-10	4	anello di tenuta	circlip	circlip		
59	308287-0-00	1	anello di tenuta	retainer ring	bague d'étanchéité		
60	704347-0-00	1	rondella	washer	rondelle		
61	300467-0-10	2	anello di registro	adjustment ring	bague de réglage		
62	308026-2-00	1	eccentrico con viti fig. 51	eccentric with screws fig. 51	excentrique avec vis fig. 51		
63	729011-2-00	1	vite	screw	vis		
64	303459-2-11	1	braccio	arm	bras		
65	704218-2-00	1	rondella	washer	rondelle		
66	300377-0-10	1	vite	screw	vis		
67	727215-0-00	3	vite	screw	vis		
68	308971-3-00	1	tendifilo a camma con viti	cam thread take-up	tendeur du fil à came avec vis		
69	745827-2-00	4	vite	screw	vis		
70	308015-0-00	1	manicotto	coupling	manchon		
71	308119-0-00	1	anello di tenuta	retainer ring	bague d'étanchéité		
72	308967-2-00	1	anello limitatore	limiter ring	bague		
			SOLO A RICHIESTA	ONLY ON REQUEST	SEULEMENT SUR DEMANDE		
■	309575 4-00	1	gruppo salva ago	rear needle guard assembly	groupe protège-aiguille		
73	305170-0-00	1	salva ago	rear needle guard	protège-aiguille		

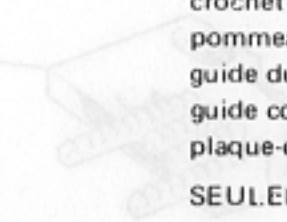
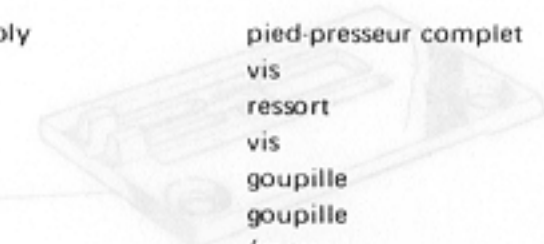
*1
EVIDEN
53



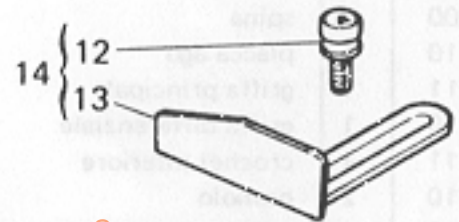
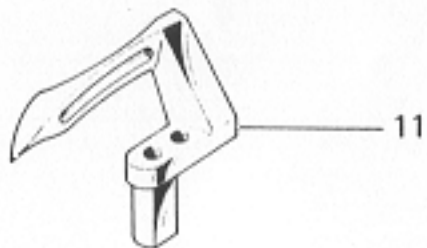
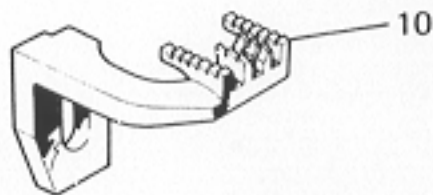
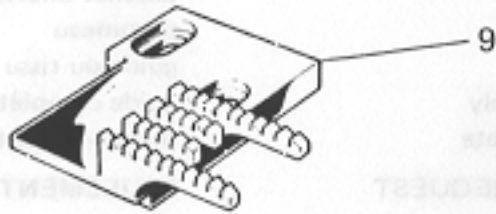
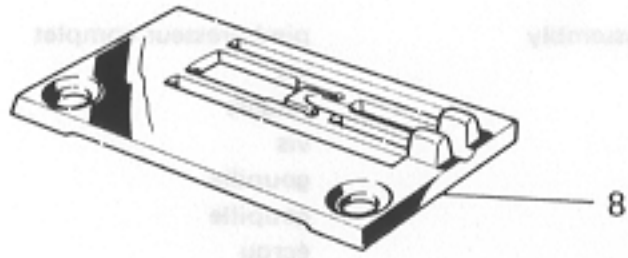
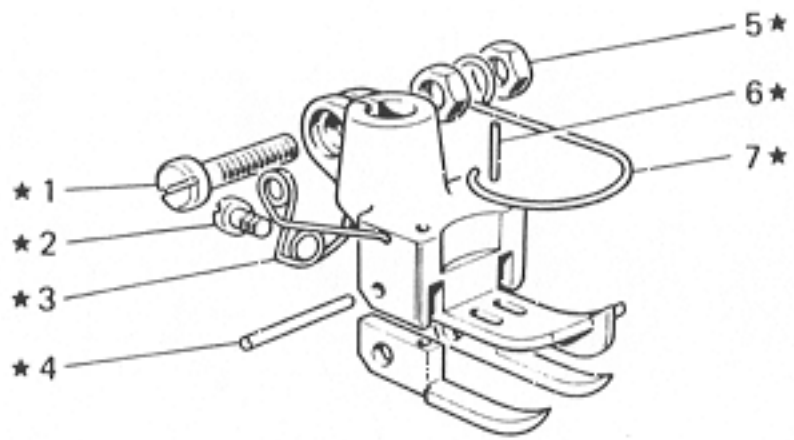
From the library of: Diamond Needle Corp

Fig. N. Abb. N.	Part. N. Bestell N. Pieze N. Pieza N.	Qt. Arz.zahl	DESCRIZIONE	DESCRIPTION	DESCRIPTION	BENENNUNG	DESCRIPCION
★	306611-3-00	1	piedino completo	presserfoot assembly	pied-presseur complet		
1	741781-2-00	1	vite	screw	vis		
2	300291-0-11	1	molla	spring	ressort		
3	741620-2-00	1	vite	screw	vis		
4	300289-0-10	2	spina	pin	goupille		
5	704641-0-00	1	spina	pin	goupille		
6	733504-2-00	2	dado	nut	écrou		
7	990808-0-00	1	salvadita	protection	protection		
8	306688-0-00	2	spina	pin	goupille		
9	302496-0-10	1	placca ago	needle plate	plaque à aiguille		
10	302488-0-11	1	griffa principale	main feed dog	griffe principale		
11	302491-0-10	1	griffa differenziale	differential feed dog	griffe différentielle		
12	302057-0-11	1	crochet inferiore	lower looper	crochet inférieur		
13	300917-0-10	2	pomolo	knob	pommeau		
14	300918-0-10	1	guida del materiale	fabric guide	guide du tissu		
15	310012-4-00	1	guida completa	guide assembly	guide complète		
16	784308-0-20	1	targhetta classe testa	head class plate	plaque-classe tête		
			SOLO A RICHIESTA	ONLY ON REQUEST	SEULEMENT SUR DEMANDE		
9	302497-0-10	1	placca ago	needle plate	plaque à aiguille		

From the library of: Diamond Needle Corp



EV160
53

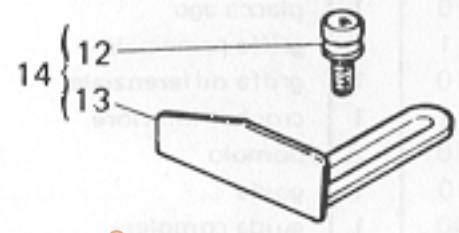
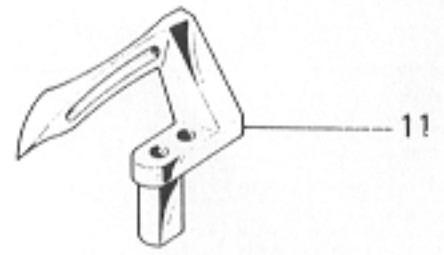
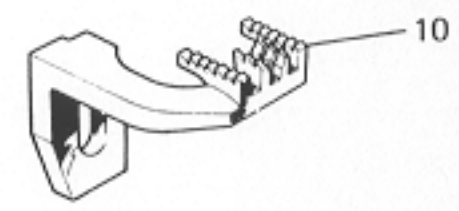
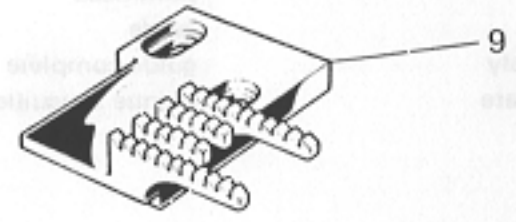
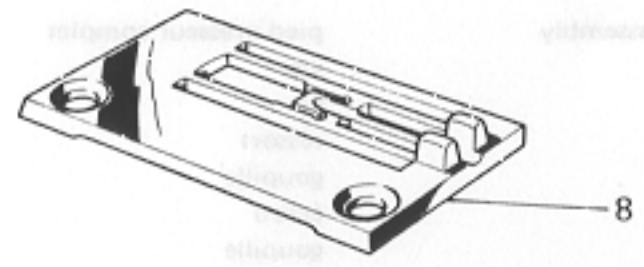
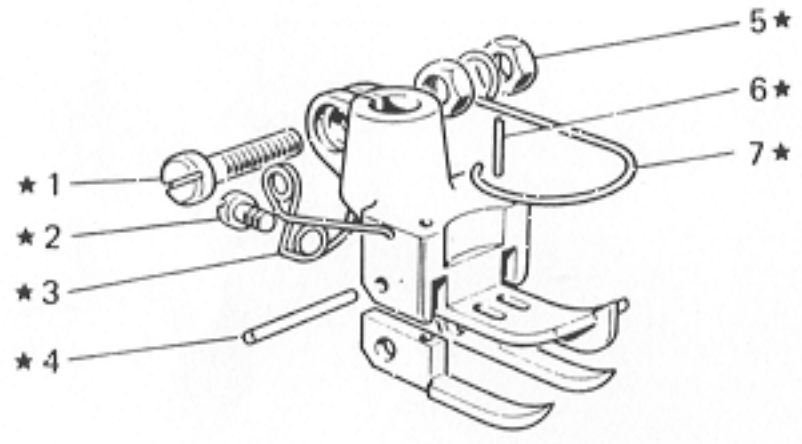


From the library of: Diamond Needle Corp

Fig. N. Abb. N.	Part. N. Bestell N. Piece N. Pieza N.	Qt. Anzahl	DESCRIZIONE	DESCRIPTION	DESCRIPTION	BENENNUNG	DESCRIPCION
★	306613-3-00	1	piedino completo	presserfoot assembly	pied-presseur complet		
1	741781-2-00	1	vite	screw	vis		
2	741620-2-00	1	vite	screw	vis		
3	300291-0-11	1	molla	spring	ressort		
4	301032-0-10	1	spina	pin	goupille		
5	733504-2-00	2	dado	nut	écrou		
6	306688-0-00	2	spina	pin	goupille		
7	990808-0-00	1	salvadita	protection	protection		
8	302508-2-10	1	placca ago	needle plate	plaque à aiguille		
9	302488-0-11	1	griffa principale	main feed dog	griffe principale		
10	302492-0-10	1	griffa differenziale	differential feed dog	griffe différentielle		
11	302057-0-11	1	crochet inferiore	lower looper	crochet inférieur		
12	300917-0-10	2	pomolo	knob	pommeau		
13	300918-0-10	1	guida	guide	guide		
14	310012-4-00	1	guida completa	guide assembly	guide complète		
15	784300-0-20	1	targhetta classe testa	head class plate	plaque à aiguille		

From the library of: Diamond Needle Corp

*1
EV16P
53



From the library of: Diamond Needle Corp



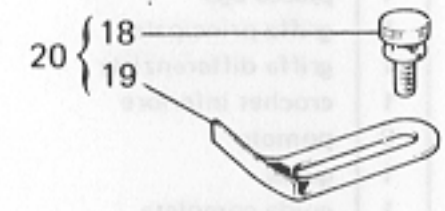
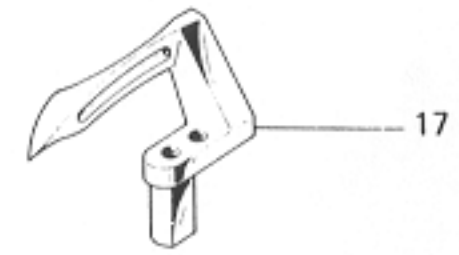
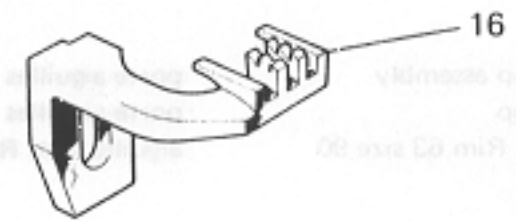
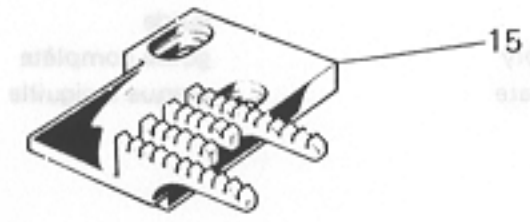
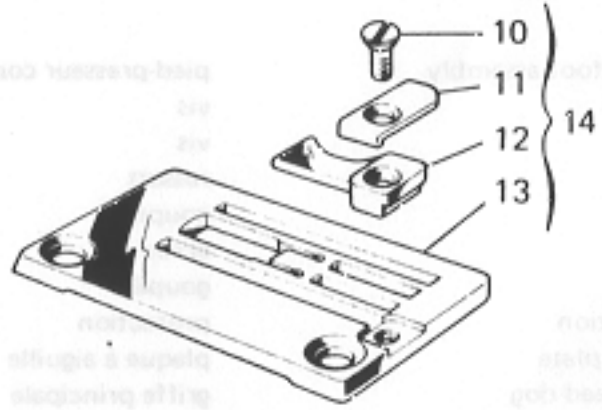
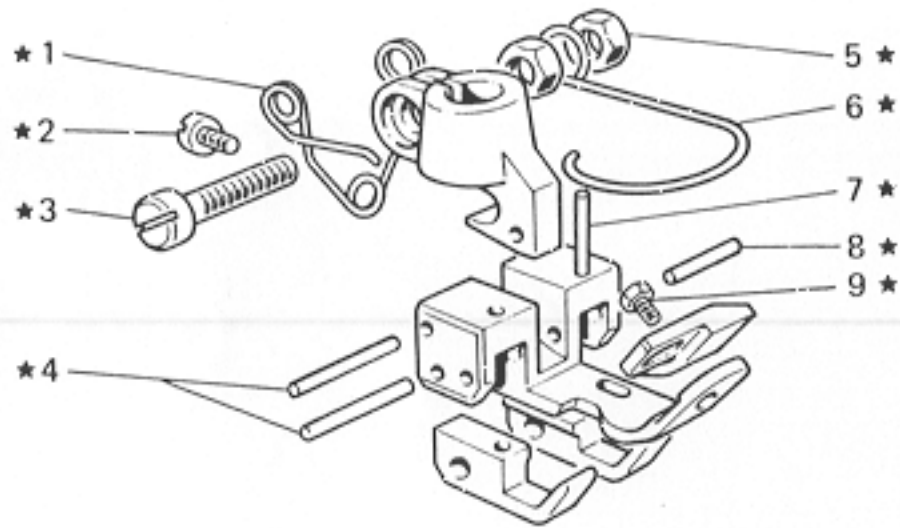
Fig. N. Abb. N.	Part. N. Bestell N. Piece N. Pieza N.	Qt. Anzahl	DESCRIZIONE	DESCRIPTION	DESCRIPTION	BENENNUNG	DESCRIPCION
★	306617-3-01	1	piedino completo	presser,foot assembly	pied-presseur complet		
1	741781-2-00	1	vite	screw	vis		
2	741620-2-00	1	vite	screw	vis		
3	300291-0-11	1	molla	spring	ressort		
4	300289-0-10	1	spina	pin	goupille		
5	733504-2-00	2	dado	nut	écrou		
6	300288-0-10	2	spina	pin	goupille		
7	990808-0-00	1	salvadita	protection	protection		
8	302645-2-10	1	placca ago	needle plate	plaque à aiguille		
9	302637-0-11	1	griffa principale	main feed dog	griffe principale		
10	302641-0-10	1	griffa differenziale	differential feed dog	griffe différentielle		
11	302057-0-11	1	crochet inferiore	lower looper	crochet inférieur		
12	300917-0-10	2	pomolo	knob	pommeau		
13	300918-0-10	1	guida	guide	guide		
14	310012-4-00	1	guida completa	guide assembly	guide complète		
15	784300-0-20	1	targhetta classe testa	head class plate	plaque à aiguille		
▲	<u>Tav. 8</u> 309807-4-00	1	morsetto porta aghi completo	needle clamp assembly	porte-aiguilles complet		
30	309757-2-00	1	morsetto porta aghi	needle clamp	porte-aiguilles		
32	766000-6-90	2	ago sist. Rim 63 fin. 90	needle syst. Rim 63 size 90	aiguille syst. Rim 63 jauge 90		

From the library of: Diamond Needle Corp

Fig. N. Abb. N.	Part. N. Bestell N. Piece N. Pieza N.	Qt. Anzahl	DESCRIZIONE	DESCRIPTION	DESCRIPTION	BENENNUNG	DESCRIPCION
1	309059-4-00	1	piano di lavoro completo	working plate assembly	plan de travail complet		
2	309042-2-00	1	piano di lavoro	working plate	plan de travail		
3	309051-0-00	1	molla	spring	ressort		
4	704306-0-01	1	rondella	washer	rondelle		
5	721424-0-00	1	vite	screw	vis		
6	309085-0-00	1	guarnizione	gasket	garniture		
7	309086-0-01	1	carter posteriore	rear cover	carter arrière		
8	309084-0-00	1	guarnizione	gasket	garniture		
9	309302-2-00	1	coperchio scorrevole	sliding cover	couvercle coulissant		
10	744636-2-00	7	vite	screw	vis		
11	302354-0-10	2	vite superiore	upper screw	vis supérieure		
12	308101-2-00	1	coperchio laterale	side cover	couvercle latéral		
13	741088-2-00	3	vite per carter posteriore	screw for rear cover	vis pour carter arrière		
14	302353-0-10	2	vite inferiore	lower screw	vis inférieure		
15	309139-4-00	1	carter laterale completo	side cover assembly	carter latéral complet		
16	309126-3-00	1	carter laterale	side cover	carter latéral		
17	309372-0-00	1	perno	pin	pivot		
18	309371-0-00	1	chiavistello	key	clé		
19	741658-2-00	1	vite	screw	vis		
20	308783-2-00	1	piastra porta placca	plate	plaque		
21	300483-0-10	8	vite per cerniera	screw for hinge	vis pour charnière		
22	302355-0-10	2	vite per piastra	screw for plate	vis pour plaque		
23	742282-2-00	6	vite per coperchio	screw for cover	vis pour couvercle		
24	300006-0-11	1	decalcomania per coperchio super.	decalcomania for upper cover	décalcomanie couvercle supérieur		
25	308128-0-00	1	guarnizione coperchio	cover gasket	garniture couvercle		
26	744730-0-00	2	vite per placca ago	screw for needle plate	vis pour plaque aiguille		
27	788020-0-01	1	decalcomania sistema aghi	needles decalcomania	décalcomanie syst. aiguille		
28	721474-2-00	1	vite	screw	vis		
29	309360-0-00	1	molla chiusura carter	spring	ressort		
30	309324-0-00	1	piastra superiore	upper plate	plaque supérieure		
31	724422-2-00	9	vite per piastra	screw for plate	vis pour plaque		
32	309323-0-00	1	guarnizione	gasket	garniture		
33	202239-0-10	1	cupolina	cup	coupole		
34	705970-0-00	1	guarnizione per cupolina	gasket	garniture		
35	308103-2-10	1	coperchio superiore	upper cover	couvercle supérieur		
36	308129-0-00	1	guarnizione per coperchio	gasket for cover	garniture pour couvercle		
37	309227-0-00	1	piastra piano di lavoro	working plate	plaque plan de travail		
38	202165-0-10	2	vite per targhetta	screw for plate	vis pour plaquette		
39	309177-3-00	1	carter anteriore completo	front cover assembly	carter avant complet		
40	308462-0-00	1	copricinghia per volantino ϕ 85	belt cover for handwheel ϕ 85	couvre-courroie pour volant ϕ 85		
41	722422-2-00	2	vite	screw	vis		

From the library of: Diamond Needle Corp

*1
EVI/62
53



21

SpA V. Remoldi & C. Milano
Made in Italy

Fig. N. Abb. N.	Part. N. Piece N. Bestell N. Pieza N.	Qt. Anzahl	DESCRIZIONE	DESCRIPTION	DESCRIPTION	BENENNUNG	DESCRIPCION
★	306625-3-01	1	piedino completo	presserfoot assembly	pied-presseur complet		
1	300291-0-11	1	molla	spring	ressort		
2	741620-2-00	1	vite	screw	vis		
3	741781-2-00	1	vite	screw	vis		
4	300289-0-10	2	spina	pin	goupille		
5	733504-2-00	2	dado	nut	écrou		
6	990808-0-00	1	salvadita	protection	protection		
7	306688-0-00	2	spina	pin	goupille		
8	706431-0-00	1	spina	pin	goupille		
9	203658-0-10	1	vite	screw	vis		
10	724430-0-00	1	vite	screw	vis		
11	302693-0-00	1	piastrina	plate	plaque		
12	302694-0-00	1	guida	guide	guide		
13	302509-0-10	1	placca ago	needle plate	plaque à aiguille		
14	302512-4-11	1	placca ago completa	needle plate assembly	plaque à aiguille complète		
15	302488-0-11	1	griffa principale	main feed dog	griffe principale		
16	302493-0-10	1	griffa differenziale	differential feed dog	griffe différentielle		
17	302057-0-11	1	crochet inferiore	lower looper	crochet inférieur		
18	300917-0-10	2	pomolo	knob	pommeau		
19	302585-0-10	1	guida	guide	guide		
20	310014-4-00	1	guida completa	guide assembly	guide complète		
21	784300-0-20	1	targhetta classe testa	head class plate	plaque-classe tête		
37	<u>Tav. 3</u> 309238-0-00	1	piastro piano di lavoro	working plate	plaque plan de travail		

*1
EVI6R
53

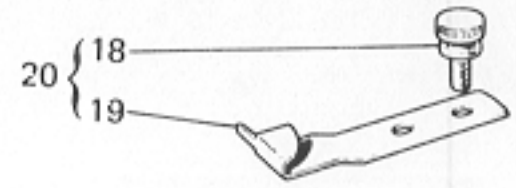
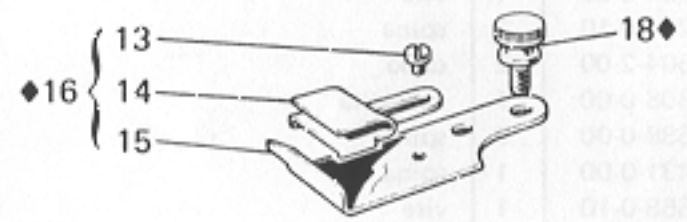
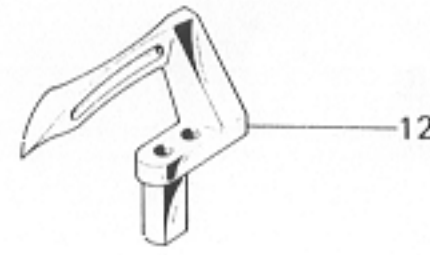
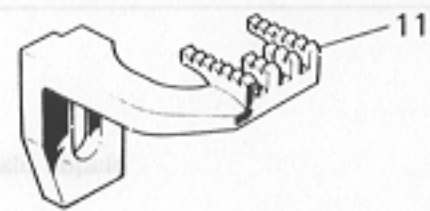
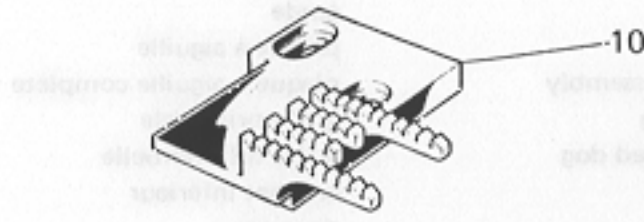
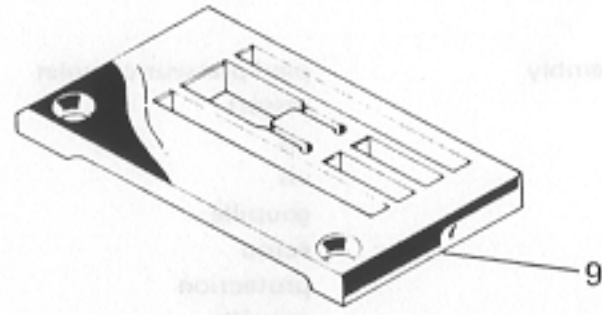
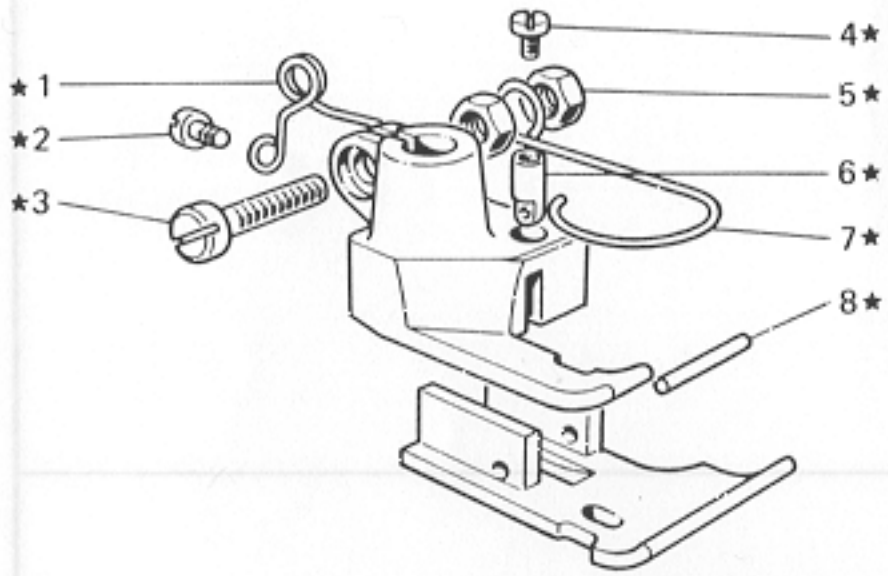
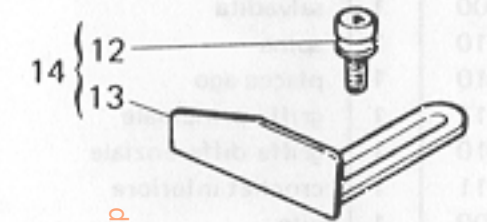
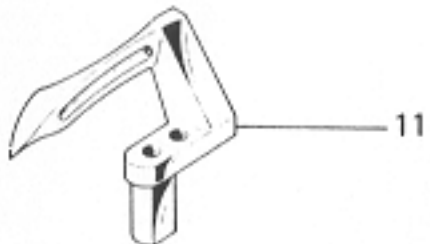
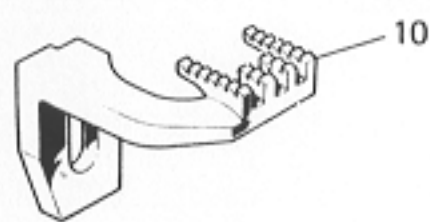
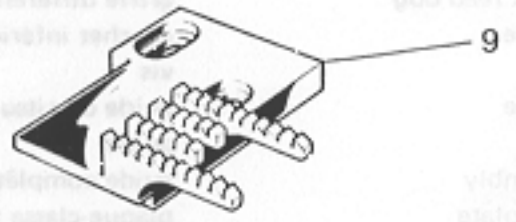
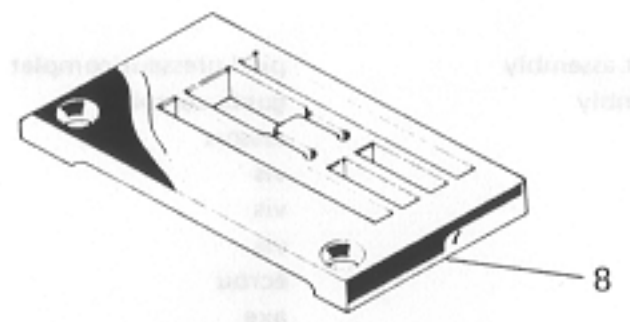
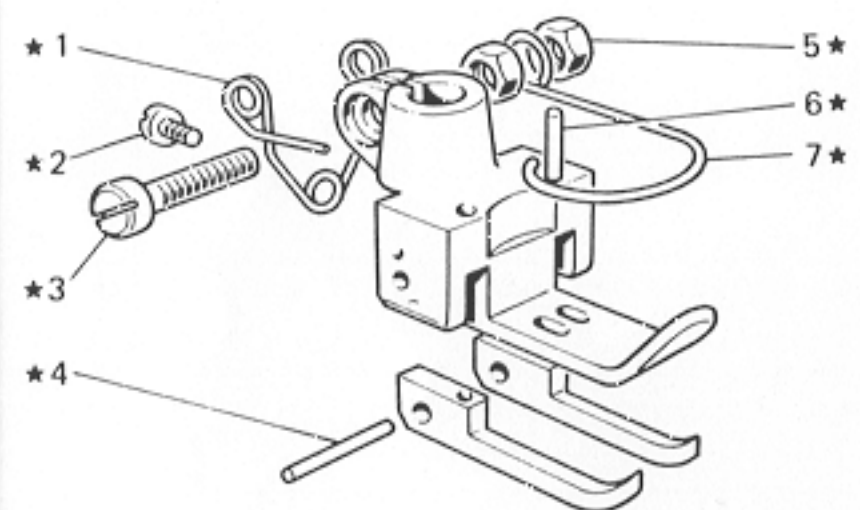


Fig. N. Abb. N.	Part. N. Bestell N. Piece N. Pieza N.	Qt. Anzahl	DESCRIZIONE	DESCRIPTION	DESCRIPTION	BENENNUNG	DESCRIPCION
★	306612-3-00	1	piedino completo	presserfoot assembly	pied-presseur complet		
◆	310030-4-00	1	guida regolabile completa	guide assembly	guide complet		
1	300119-0-11	1	molla	spring	ressort		
2	721411-2-00	1	vite	screw	vis		
3	741781-2-00	1	vite	screw	vis		
4	741414-2-00	1	vite	screw	vis		
5	733504-2-00	2	dado	nut	écrou		
6	300757-0-11	1	snodo	knuckle	axe		
7	990808-0-00	1	salvadita	protection	protection		
8	300758-0-10	1	spina	pin	goupille		
9	302496-0-10	1	placca ago	needle plate	plaque à aiguille		
10	302488-0-11	1	griffa principale	main feed dog	griffe principale		
11	302491-0-10	1	griffa differenziale	differential feed dog	griffe différentielle		
12	302057-0-11	1	crochet inferiore	lower looper	crochet inférieur		
13	742302-4-00	1	vite	screw	vis		
14	301035-2-10	1	guida materiale	fabric guide	guide du tissu		
15	300920-0-10	1	guida	guide	guide		
16	300921-4-10	1	guida completa	guide assembly	guide complète		
17	784300-0-20	1	targhetta classe testa	head class plate	plaque-classe tête		
18	300917-0-10	2	pomolo	knob	pommeau		
			SOLO A RICHIESTA	ONLY ON REQUEST	SEULEMENT SUR DEMANDE		
19	300919-0-10	1	guida	guide	guide		
20	310006-4-00	1	guida completa	guide assembly	guide complet		

From the library of: Diamond Needle Corp



*1
EVI 65
53



15
SpA V. Remolada e C. Milano
Made in Italy

Fig. N. Abb. N.	Part. N. Piece N. Bestell N. Pieza N.	Qt. Anzahl	DESCRIZIONE	DESCRIPTION	DESCRIPTION	BENENNUNG	DESCRIPCION
★	306626-3-01	1	piedino completo	presserfoot assembly	pied-presseur complet		
1	300291-0-11	1	molla	spring	ressort		
2	741620-2-00	1	vite	screw	vis		
3	741781-2-00	1	vite	screw	vis		
4	300289-0-10	1	spina	pin	goupille		
5	733504-2-00	2	dado	nut	écrou		
6	300288-0-10	2	spina	pin	goupille		
7	990808-0-00	1	salvadita	protection	protection		
8	302505-0-10	1	placca ago	needle plate	plaque aiguille		
9	302488-0-11	1	griffa principale	main feed dog	griffe principale		
10	302491-0-10	1	griffa differenziale	differential feed dog	griffe différentielle		
11	302057-0-11	1	crochet inferiore	lower looper	crochet inférieur		
12	300917-0-10	2	pomolo	knob	pommeau		
13	300918-0-10	1	guida	guide	guide		
14	310012-4-00	1	guida completa	guide assembly	guide complète		
15	784300-0-20	1	targhetta classe testa	head class plate	plaque-classe tête		
▲	Tav. 8						
30	309803-4-00	1	morsetto porta aghi completo	needle clamp assembly	porte-aiguilles complet		
46	309750-0-00	1	morsetto porta aghi	needle clamp	porte-aiguilles		
	309771-0-00	1	passafilo	thread guide	passe-fil		

*1
EVILOT
53

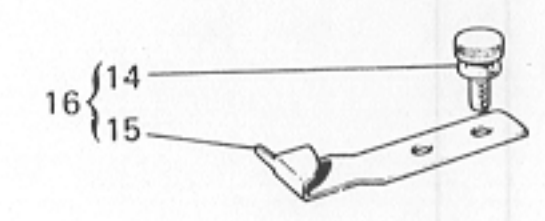
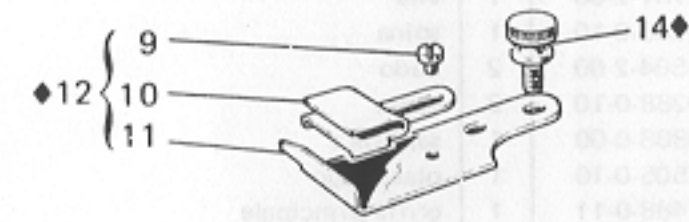
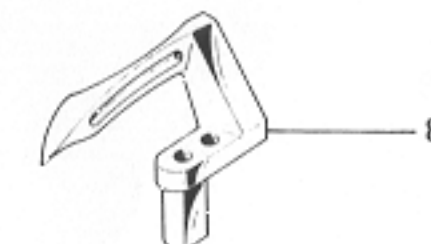
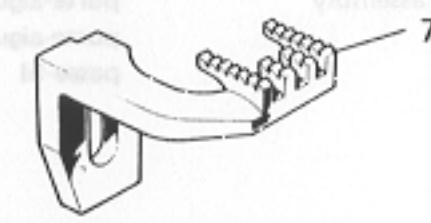
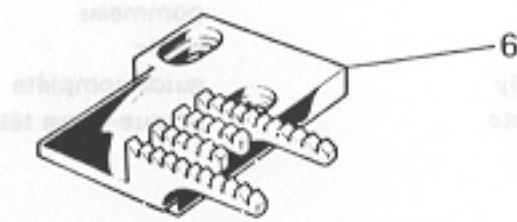
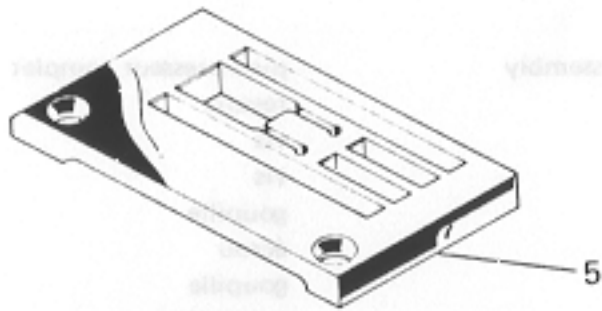
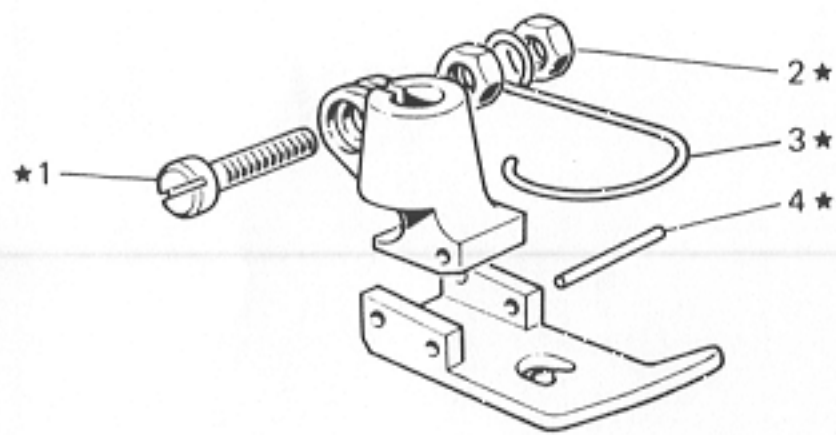


Fig. N. Abb. N.	Part. N. Piecce N. Bestell N. Pieza N.	Qt. Anzahl	DESCRIZIONE	DESCRIPTION	DESCRIPTION	BENENNUNG	DESCRIPCION
★	306614-3-00	1	pieдино completo	presserfoot assembly	presserfoot assembly	pied-presseur complet	
◆	310030-4-00	1	guida regolabile	guide	guide	guide	
1	741781-2-00	1	vite	screw	screw	vis	
2	733504-2-00	2	dado	nut	nut	écrou	
3	990808-0-00	1	salvadita	protection	protection	protection	
4	706461-0-00	2	spina	pin	pin	goupille	
5	302505-0-10	1	placca ago	needle plate	needle plate	plaque à aiguille	
6	302488-0-11	1	griffa principale	main feed dog	main feed dog	griffe principale	
7	302491-0-10	1	griffa differenziale	differential feed dog	differential feed dog	griffe différentielle	
8	302057-0-11	1	crochet inferiore	lower looper	lower looper	crochet inférieur	
9	742302-4-00	1	vite	screw	screw	vis	
10	301035-2-10	1	guida materiale	fabric guide	fabric guide	guide tissu	
11	300920-0-10	1	guida	guide	guide	guide	
12	300921-4-10	1	guida completa	guide assembly	guide assembly	guide complète	
13	784300-0-20	1	targhetta classe testa	head class plate	head class plate	plaque-classe tête	
14	300917-0-10	2	pomolo	knob	knob	pommeau	
			SOLO A RICHIESTA	ONLY ON REQUEST	ONLY ON REQUEST	SEULEMENT SUR DEMANDE	
15	300919-0-10	1	guida	guide	guide	guide	
16	310006-4-00	1	guida completa	guide assembly	guide assembly	guide complète	
▲	<u>Tav. 8</u> 309803-4-00	1	morsetto porta aghi completo	needle clamp assembly	needle clamp assembly	porte-aiguilles complet	
30	309750-0-00	1	morsetto porta aghi	needle clamp	needle clamp	porte-aiguilles	
46	309771-0-00	1	passafilo	thread guide	thread guide	passe-fil	

EV164
53

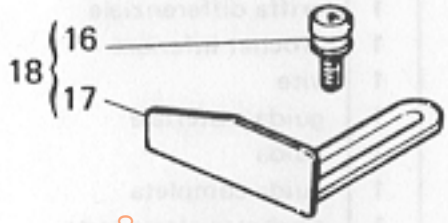
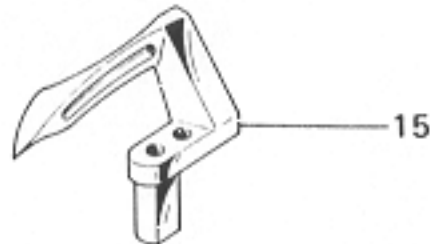
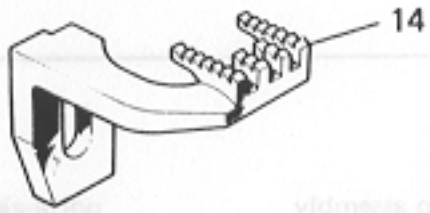
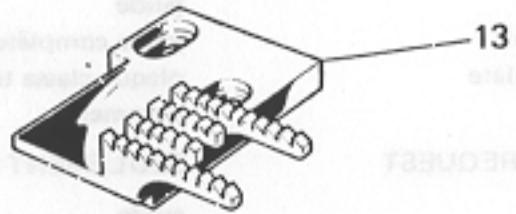
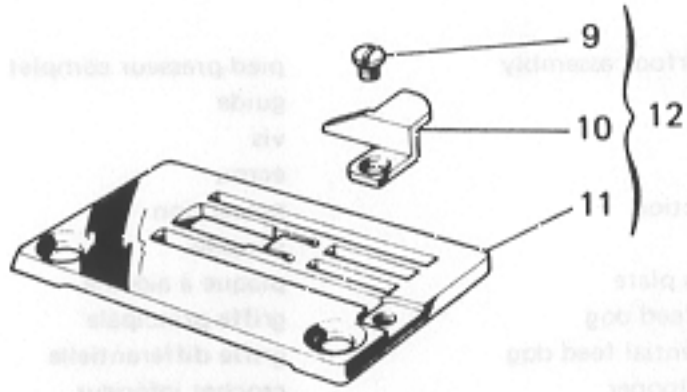
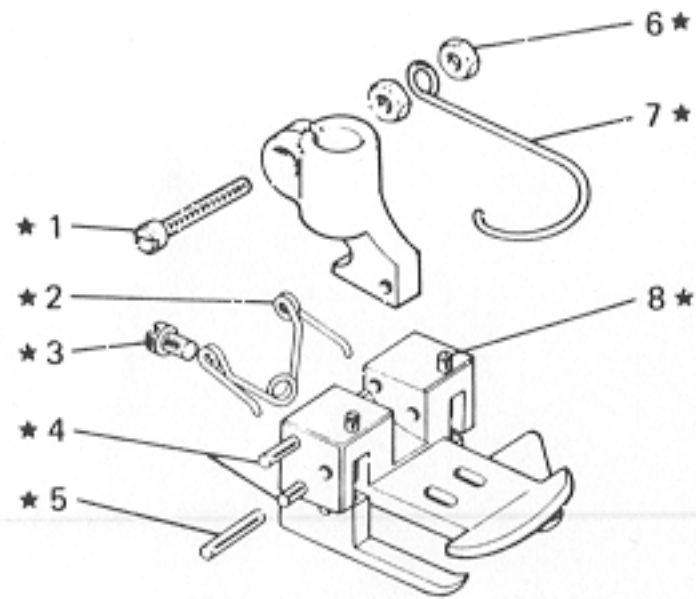
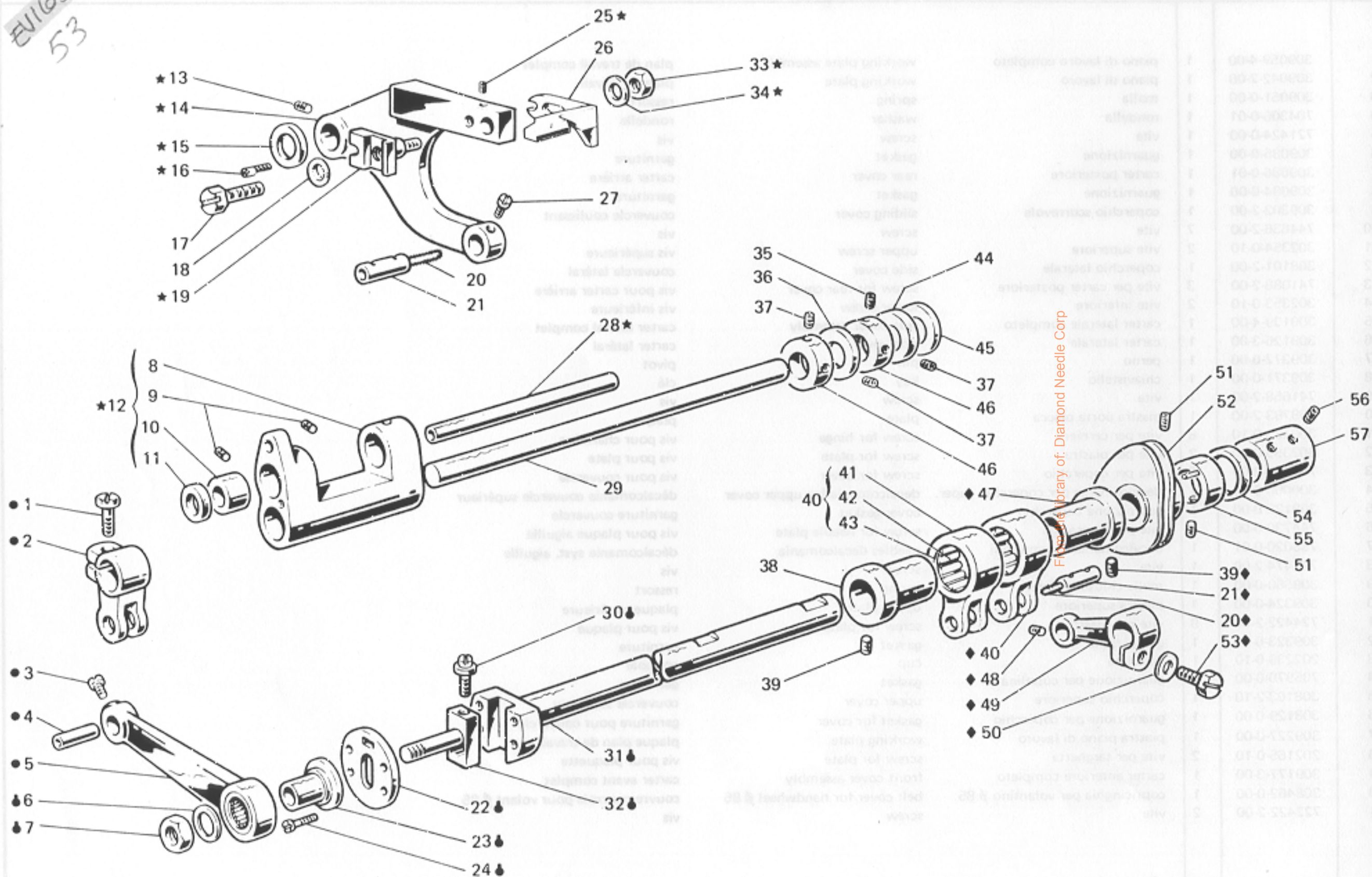


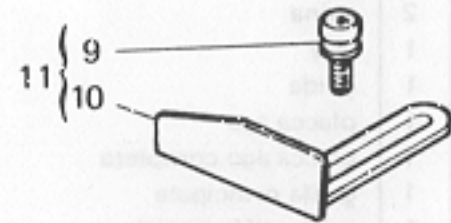
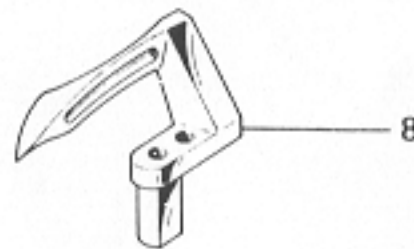
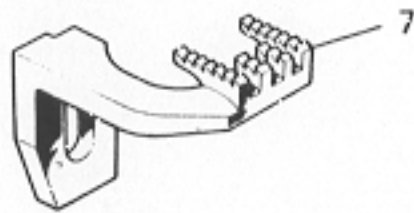
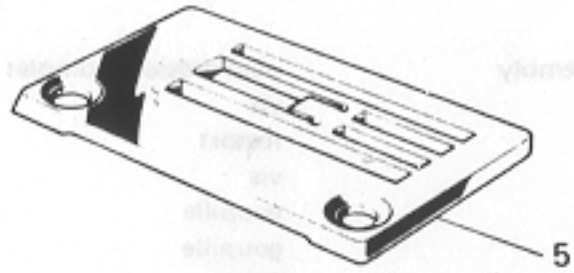
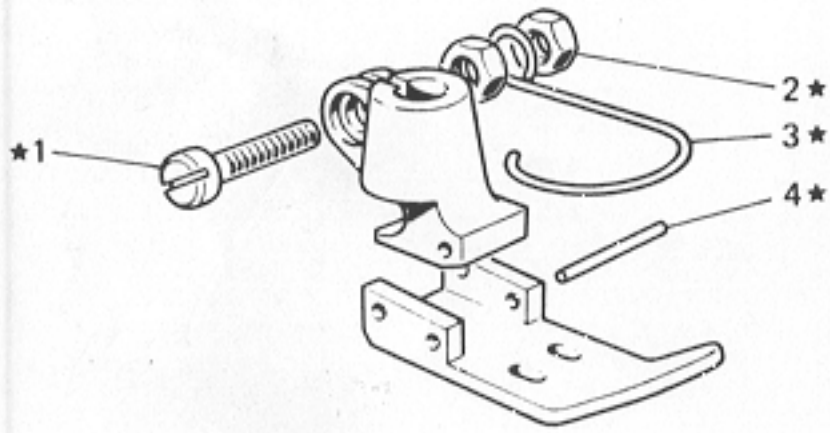
Fig. N. Abb. N.	Part. N. Bestell N. Piece N. Pieza N.	Qt. Anzahl	DESCRIZIONE	DESCRIPTION	DESCRIPTION	BENENNUNG	DESCRIPCION
★	306611-3-00	1	pieдино completo	presserfoot assembly	pieд-presseur complet		
1	741781-2-00	1	vite	screw	vis		
2	300291-0-11	1	molla	spring	ressort		
3	741620-2-00	1	vite	screw	vis		
4	300289-0-10	2	spina	pin	goupille		
5	704641-0-00	1	spina	pin	goupille		
6	733504-2-00	2	dado	nut	écrou		
7	990808-0-00	1	salvadita	protection	protection		
8	306688-0-00	2	spina	pin	goupille		
9	300952-0-10	1	vite	screw	vis		
10	302513-0-10	1	guida	guide	guide		
11	302509-0-10	1	placca ago	needle plate	plaque à aiguille		
12	302510-4-10	1	placca ago completa	needle plate assembly	plaque à aiguille complet		
13	302488-0-11	1	griffa principale	main feed dog	griffe principale		
14	302491-0-10	1	griffa differenziale	differential feed dog	griffe différentielle		
15	302057-0-11	1	crochet inferiore	lower looper	crochet inférieur		
16	300917-0-10	2	pomolo	knob	pommeau		
17	300918-0-10	1	guida	guide	guide		
18	310012-4-00	1	guida completa	guide assembly	guide complète		
19	784300-0-20	1	targhetta classe testa	head class plate	plaque-classe tête		

*1
EVI6B
53



File: ... Library of: Diamond Needle Corp

*
EV16V
53



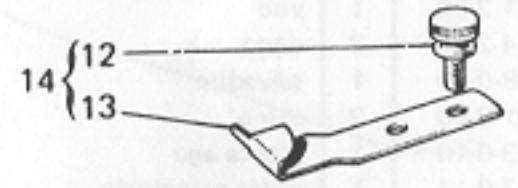
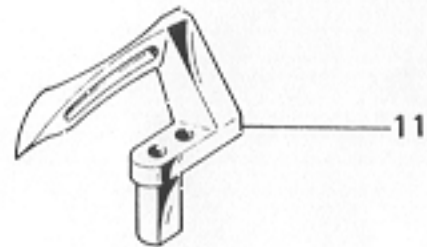
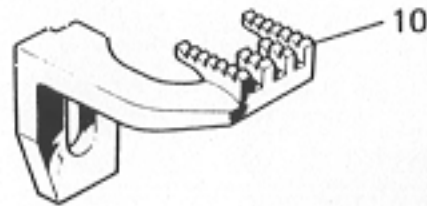
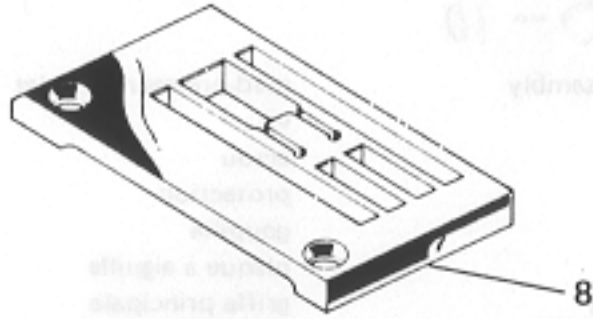
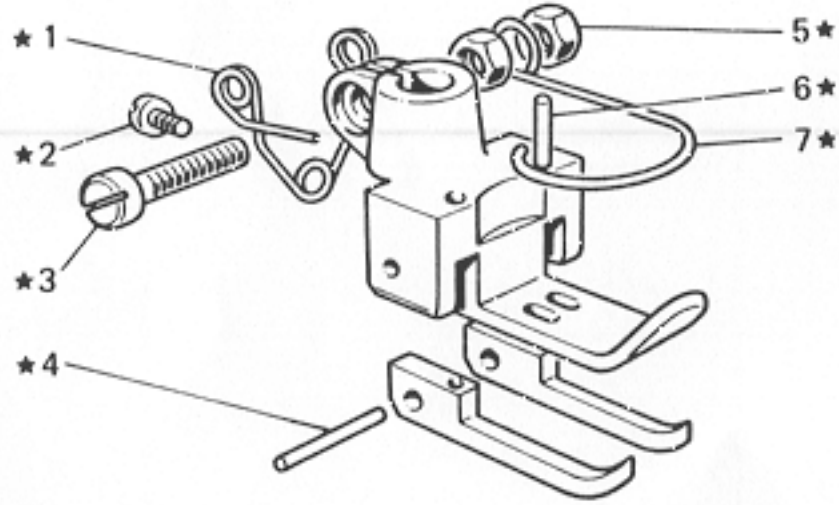
From the library of: Diamond Needle Corp

Fig. N. Abb. N.	Part. N. Bestell N. Piece N. Pieza N.	Qt. Anzahl	DESCRIZIONE	DESCRIPTION	DESCRIPTION	BENENNUNG	DESCRIPCION
★	306616-3-00	1	piedino completo	presserfoot assembly	pied-presseur complet		
1	741781-2-00	1	vite	screw	vis		
2	733504-2-00	2	dado	nut	écrou		
3	990808-0-00	1	salvadita	protection	protection		
4	706471-0-00	2	spina'	pin	goupille		
5	302643-0-10	1	placca ago	needle plate	plaque à aiguille		
6	302637-0-11	1	griffa principale	main feed dog	griffe principale		
7	302640-0-10	1	griffa differenziata	differential feed dog	griffe différentielle		
8	302057-0-11	1	crochet inferiore	lower looper	crochet inférieur		
9	300917-0-10	2	pomolo	knob	pommeau		
10	300918-0-10	1	guida del materiale	fabric guide	guide tissu		
11	310012-4-00	1	guida del materiale completa	fabric guide assembly	guide tissu complet		
12	784300-0-20	1	targhetta classe testa	head class plate	plaque-classe tête		
▲	Tav. 8 309807-4-00	1	morsetto porta aghi completo	needle clamp assembly	porte-aiguilles complet		
30	309757-2-00	1	morsetto porta aghi	needle clamp	porte-aiguilles		
32	766000-6-90	2	ago sist. RIM 63 fin. 90	needle system RIM 63 size 90	aiguille syst. RIM 63 jauge 90		

302246-0-10

From the library of: Diamond Needle Corp

EV16W
53



From the library of: Diamond Needle Corp

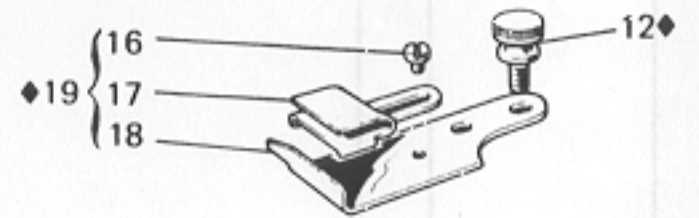
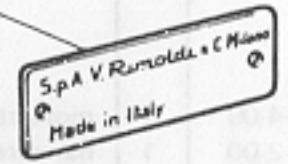
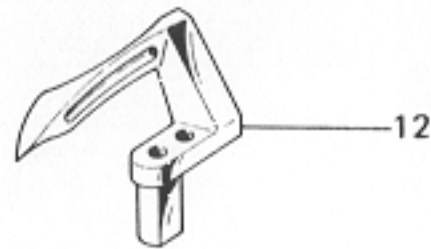
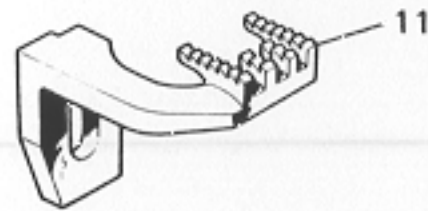
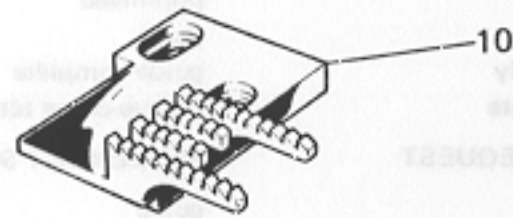
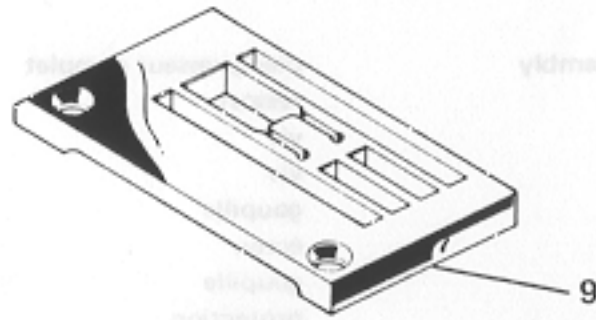
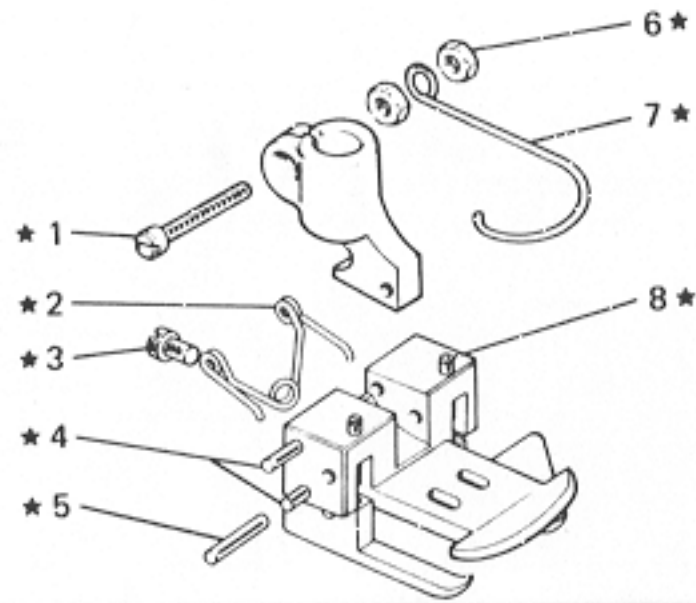


Fig. N. Abb. N.	Part. N. Bestell N. Piece N. Pieza N.	Qt. Anzahl	DESCRIZIONE	DESCRIPTION	DESCRIPTION	BENENNUNG	DESCRIPCION
★	306626-3-01	1	piedino completo	presserfoot assembly	pied-presseur complet		
1	300291-0-11	1	molla	spring	ressort		
2	741620-2-00	1	vite	screw	vis		
3	741781-2-00	1	vite	screw	vis		
4	300289-0-10	1	spina	pin	goupille		
5	733504-2-00	2	dado	nut	écrou		
6	300288-0-10	2	spina	pin	goupille		
7	990808-0-00	1	salvadita	protection	protection		
8	306701-0-00	1	placca ago	needle plate	plaque à aiguille		
9	302488-0-11	1	griffa principale	main feed dog	griffe principale		
10	302491-0-10	1	griffa differenziale	differential feed dog	griffe différentielle		
11	306730-0-01	1	crochet inferiore	lower looper	crochet inférieur		
12	300917-0-10	2	pomolo	knob	pommeau		
13	300919-0-10	1	guida	guide	guide		
14	310006-4-00	1	guida completa	guide assembly	guide complète		
15	784300-0-20	1	targhetta classe testa	head class plate	plaque-classe tête		
			SOLO A RICHIESTA	ONLY ON REQUEST	SEULEMENT SUR DEMANDE		
◆	310030-4-00	1	guida regolabile	guide	guide		
16	742302-4-00	1	vite	screw	vis		
17	301035-2-10	1	guida materiale	fabric guide	guide tissu		
18	300920-0-10	1	guida	guide	guide		
19	300921-4-10	1	guida completa	guide assembly	guide complète		
▲	Tav. 8 309803-4-00	1	morsetto porta aghi completo	needle clamp assembly	porte-aiguilles complet		
30	309750-0-00	1	morsetto porta aghi	needle clamp	porte-aiguilles		
46	309771-0-00	1	passafilo	thread guide	passe-fil		

+1
EU/6X
53



From the library of: Diamond Needle Corp

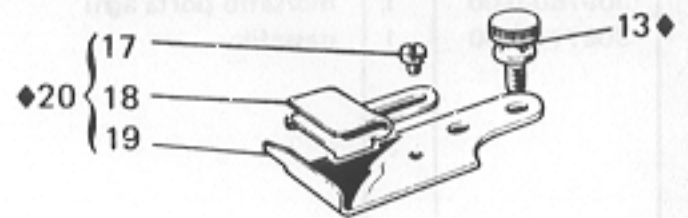
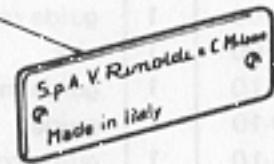
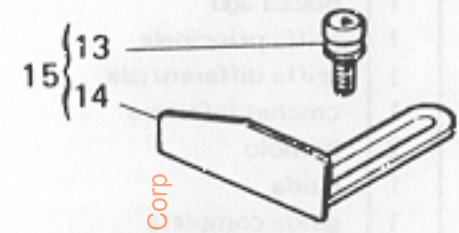
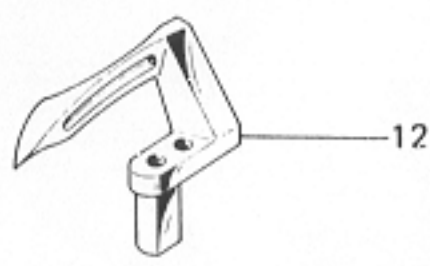
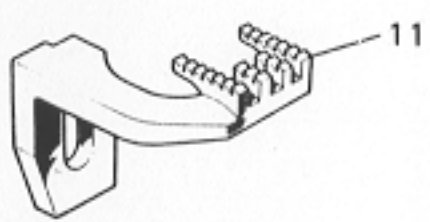
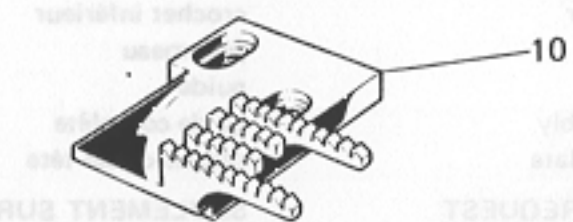
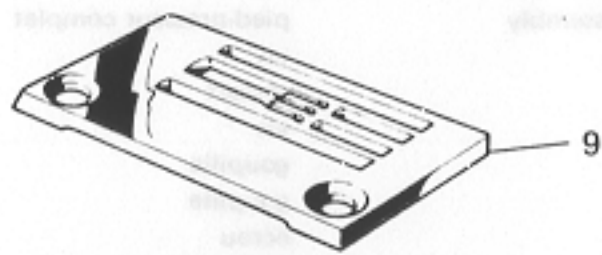
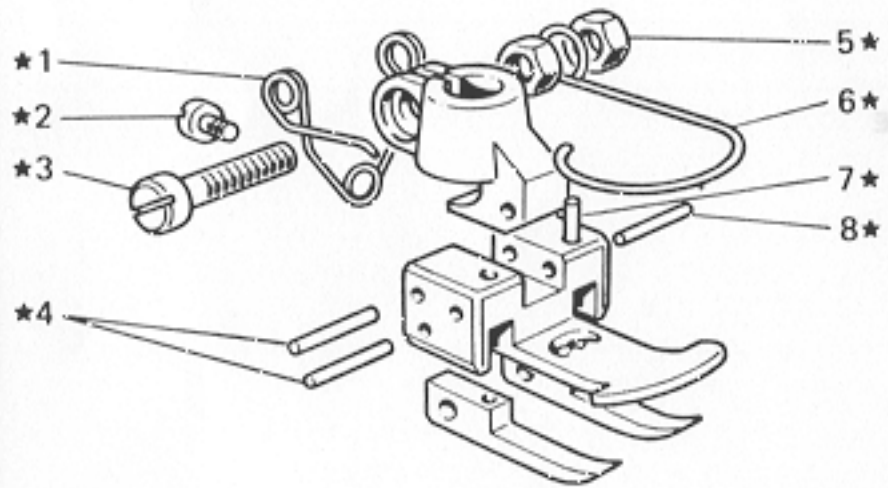


Fig. N. Abb. N.	Part. N. Bestell N. Piezo N. Pieza N.	Qt. Anzahl	DESCRIZIONE	DESCRIPTION	DESCRIPTION	BENENNUNG	DESCRIPCION
★	306611-3-00	1	piedino completo	presserfoot assembly	pied-presseur complet		
1	741781-2-00	1	vite	screw	vis		
2	300291-0-11	1	molla	spring	ressort		
3	741620-2-00	1	vite	screw	vis		
4	300289-0-10	2	spina	pin	goupille		
5	704641-0-00	1	spina	pin	goupille		
6	733504-2-00	2	dado	nut	écrou		
7	990808-0-00	1	salvadita	protection	protection		
8	306688-0-00	2	spina	pin	goupille		
9	306700-0-00	1	placca ago	needle plate	plaque à aiguille		
10	302488-0-11	1	griffa principale	main feed dog	griffe principale		
11	302491-0-10	1	griffa differenziale	differential feed dog	griffe différentielle		
12	306730-0-01	1	crochet inferiore	lower looper	crochet inférieur		
13	300917-0-10	2	pomolo	knob	pommeau		
14	300919-0-10	1	guida	guide	guide		
15	310006-4-00	1	guida completa	guide assembly	guide complète		
16	784300-0-20	1	targhetta classe testa	head class plate	plaque-classe tête		
			SOLO A RICHIESTA	ONLY ON REQUEST	SEULEMENT SUR DEMANDE		
◆	310030-4-00	1	guida regolabile	guide	guide		
17	742302-4-00	1	vite	screw	vis		
18	301035-2-10	1	guida materiale	fabric guide	guide tissu		
19	300920-0-10	1	guida	guide	guide		
20	300921-4-10	1	guida completa	guide assembly	guide complète		

XI
EV16Y
53

DESCRIZIONE	BENEFICIARIO	DESCRIZIONE	DESCRIZIONE	DESCRIZIONE	Q.TA	Part. N. Descr. N. Part. N.	N.
-------------	--------------	-------------	-------------	-------------	------	-----------------------------------	----



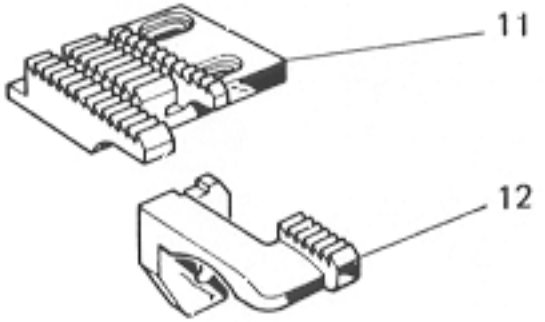
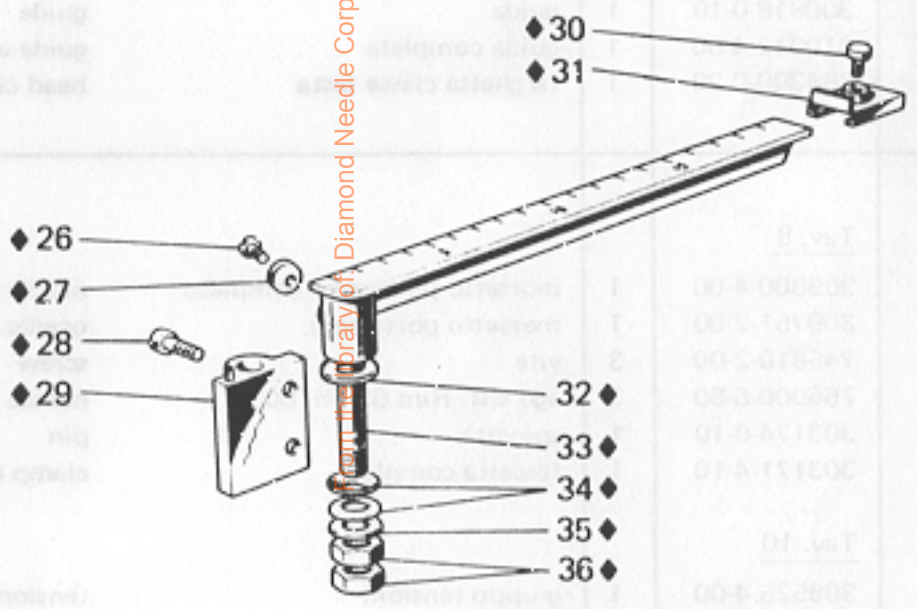
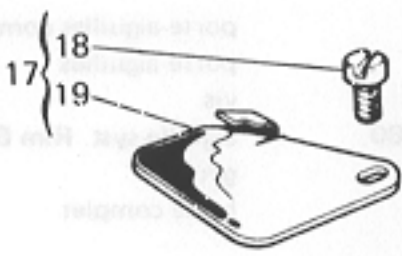
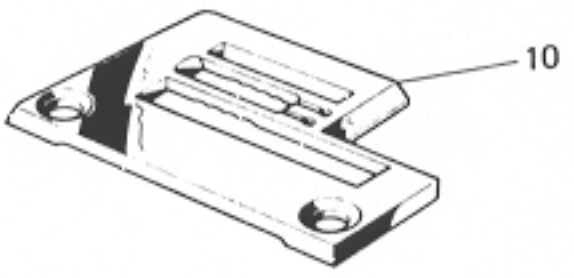
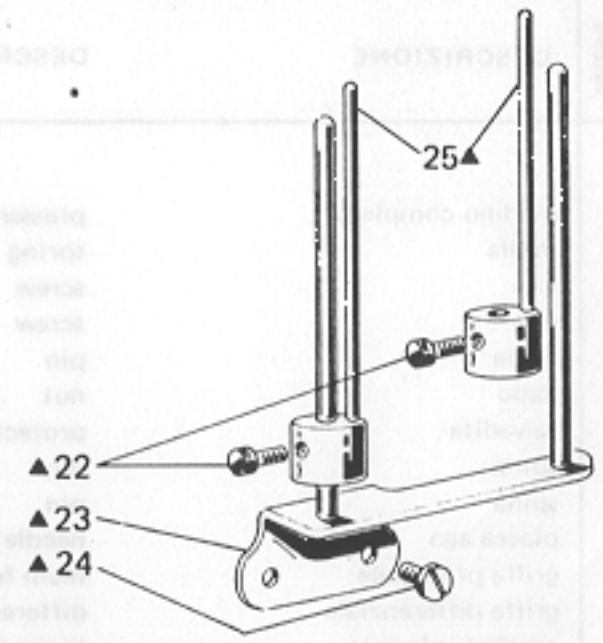
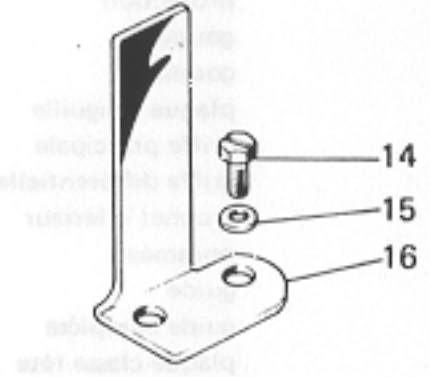
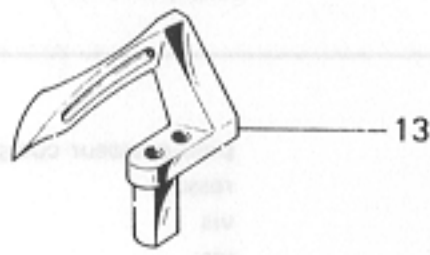
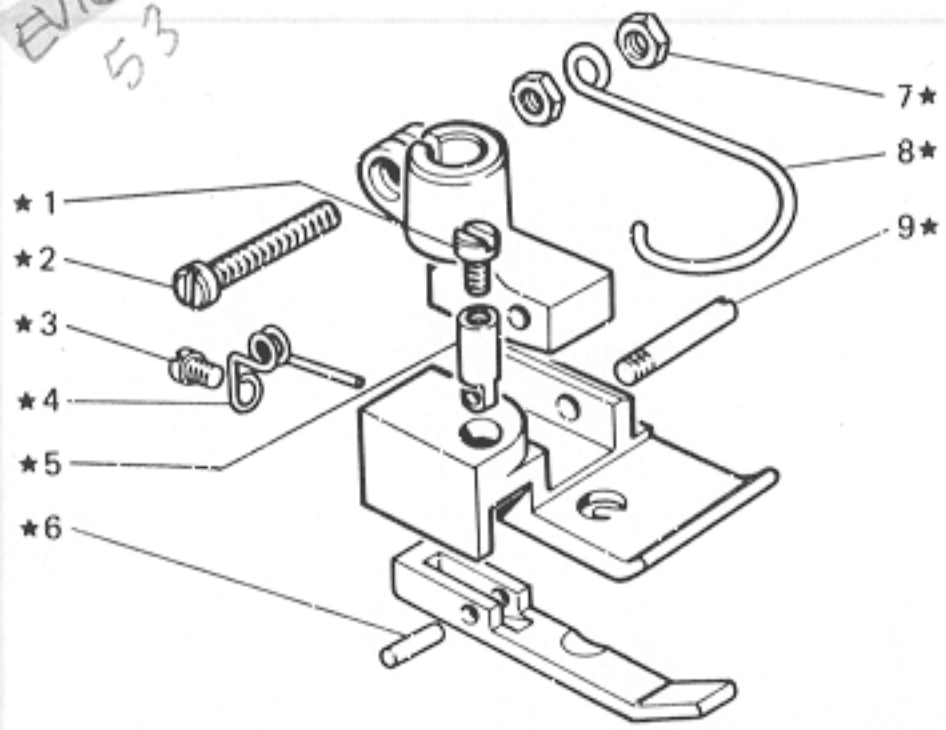
From the library of: Diamond Needle Corp

S.p.A. V. Rimoldi & C. Milano
Made in Italy

Fig. N. Abb.	Part. N. Bestell N. Piece N. Pieza N.	Qt. Arzchi	DESCRIZIONE	DESCRIPTION	DESCRIPTION	BENENNUNG	DESCRIPCION
★	306607-3-01	1	piedino completo	presserfoot assembly	pied-presseur complet		
1	300291-0-11	1	molla	spring	ressort		
2	741620-2-00	1	vite	screw	vis		
3	741781-2-00	1	vite	screw	vis		
4	706501-0-00	2	spina	pin	goupille		
5	733504-2-00	2	dado	nut	écrou		
6	990808-0-00	1	salvadita	protection	protection		
7	306688-0-00	2	spina	pin	goupille		
8	301268-0-10	1	spina	pin	goupille		
9	302649-0-10	1	placca ago	needle plate	plaque à aiguille		
10	302637-0-11	1	griffa principale	main feed dog	griffe principale		
11	302640-0-10	1	griffa differenziale	differential feed dog	griffe différentielle		
12	302057-0-11	1	crochet inferiore	lower looper	crochet inférieur		
13	300917-0-10	2	pornolo	knob	pommeau		
14	300918-0-10	1	guida	guide	guide		
15	310012-4-00	1	guida completa	guide assembly	guide complète		
16	784300-0-20	1	targhetta classe testa	head class plate	plaque-classe tête		
<p style="text-align: center;"><i>EV-16-E</i></p> <p>Tav. 8</p>							
▲	309800-4-00	1	morsetto porta aghi completo	needle clamp assembly	porte-aiguilles complet		
30	309751-2-00	1	morsetto porta aghi	needle clamp	porte-aiguilles		
31	745810-2-00	3	vite	screw	vis		
32	766000-6-80	3	ago sist. Rim 63 fin. 80	needle syst. Rim 63 size 80	aiguille syst. Rim 63 jauge 80		
44	303174-0-10	1	spinetta	pin	goupille		
47	303171-4-10	1	fascetta completa	clamp assembly	bride complet		
<p style="text-align: center;"><i>EV-16-F</i></p> <p>Tav. 10</p>							
★	308526-4-00	1	gruppo tensioni	tension assembly	groupe tensions		
20	308506-0-00	4	pernetto	pin	pivot		
21	308501-0-01	4	passafilo	thread guide	passe-fil		
22	308503-0-01	4	guidafilo	thread guide	guide-fil		
25	308505-0-00	4	perno a vite	threaded pin	pivot à vis		
26	300218-0-10	8	disco tensione	tension disc	disque tension		
27	308507-0-00	4	rondella	washer	rondelle		
28	202556-0-00	4	scudellino	cup	cuvette		
29	200710-0-10	3	molla	spring	ressort		
30	202229-0-10	4	bussola superiore	upper bush	bague supérieur		
31	202558-2-00	4	pornolo	knob	pommeau		
33	308518-4-00	3	tensione sup. con molla fig. 29	upper tension with spring fig. 29	tension sup. avec ressort fig. 29		
			SOLO A RICHIESTA	ONLY ON REQUEST	SEULEMENT SUR DEMANDE		
<p style="text-align: center;"><i>Not Shown</i></p> <p>Tav. 24</p>							
■	309576-4-00	1	gruppo salva ago	rear needle guard assembly	groupe protégé-aiguille		
73	305171-0-00	1	salva ago	rear needle guard	protège-aiguille		

From the library of: Diamond Needle Corp

*1
EV/6Z
53



SpA V. Rinaldi & C. Milano
Made in Italy

21

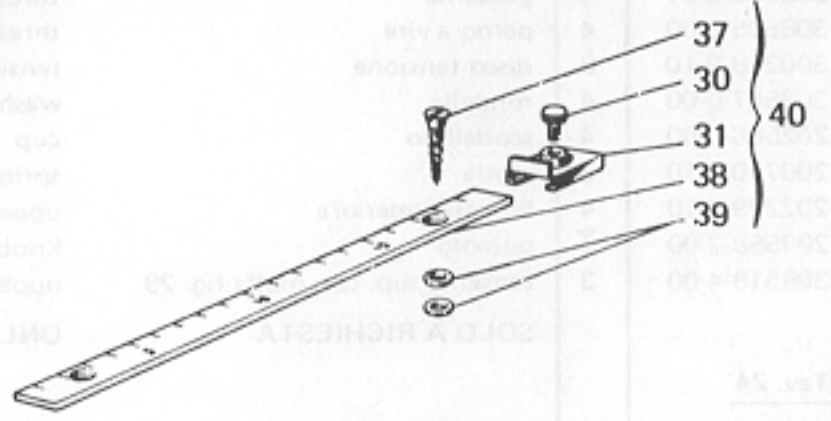


Fig. N. Abb.	Part. N. Piece Bestell N. Pieza N.	Qt. Anzahl	DESCRIZIONE	DESCRIPTION	DESCRIPTION	BENENNUNG	DESCRIPCION
★	306606-3-00	1	piedino completo	presserfoot assembly	pied-presseur complet		
▲	930000-4-11	1	tensione regolabile completa	tension assembly	tension complète		
1	741414-2-00	1	vite	screw	vis		
2	741781-2-00	1	vite	screw	vis		
3	721411-2-00	1	vite	screw	vis		
4	300119-0-11	1	molla	spring	ressort		
5	300117-0-11	1	snodo	knuckle	axe		
6	300118-0-10	1	spina	pin	goupille		
7	733504-2-00	2	daño	nut	écrou		
8	990808-0-00	1	salvadita	protection	protection		
9	300120-0-10	1	spina	pin	goupille		
10	301765-0-10	1	placca ago	needle plate	plaque à aiguille		
11	300102-0-10	1	griffa principale	main feed dog	griffe principale		
12	300104-0-10	1	griffa differenziale	differential feed dog	griffe différentielle		
13	302057-0-11	1	crochet inferiore	lower looper	crochet inférieur		
14	303023-0-10	2	vite	screw	vis		
15	704216-2-00	2	rondella	washer	rondelle		
16	300129-0-10	1	supporto	support	support		
17	310000-4-00	1	guida con vite	guide with screw	guide avec vis		
18	741658-2-00	1	vite	screw	vis		
19	300126-0-10	1	guida	guide	guide		
20	930105-0-10	1	astina	rod	tige		
21	784300-0-20	1	targhetta classe testa	head class plate	plaque-classe tête		
22	930096-0-10	2	pomolo	knob	pommeau		
23	930006-2-20	1	sostegno	support	support		
24	721486-2-00	2	vite	screw	vis		
25	930004-2-20	2	morsetto	clamp	porte-aiguille		
			SOLO A RICHIESTA	ONLY ON REQUEST	SEULEMENT SUR DEMANDE		
◆	930820-4-00	1	apparecchio misuratore completo	epaulet measurer assembly	règle bretelles complet		
26	744634-0-00	1	vite	screw	vis		
27	300710-0-10	1	rondella	washer	rondelle		
28	722443-2-00	2	vite	screw	vis		
29	930819-2-00	1	supporto	support	support		
30	930075-0-10	2	pomolo	knob	pommeau		
31	930072-2-10	2	cursore	slider	curseur		
32	930824-0-00	1	rondella	washer	rondelle		
33	930821-2-00	1	asta centimetrata	rod	tige		
34	702415-0-00	2	molla a tazza	cup spring	ressort à tasse		
35	704010-2-00	1	rondella	washer	rondelle		
36	746209-2-00	2	dado	nut	écrou		
37	731263-0-00	2	vite	screw	vis		
38	990213-0-10	1	asta centimetrata	rod	tige		
39	704206-0-00	4	rondella	washer	rondelle		
40	990214-4-11	1	asta centimetrata completa	rod assembly	tige complète		

From the library of: Diamond Needle Corp

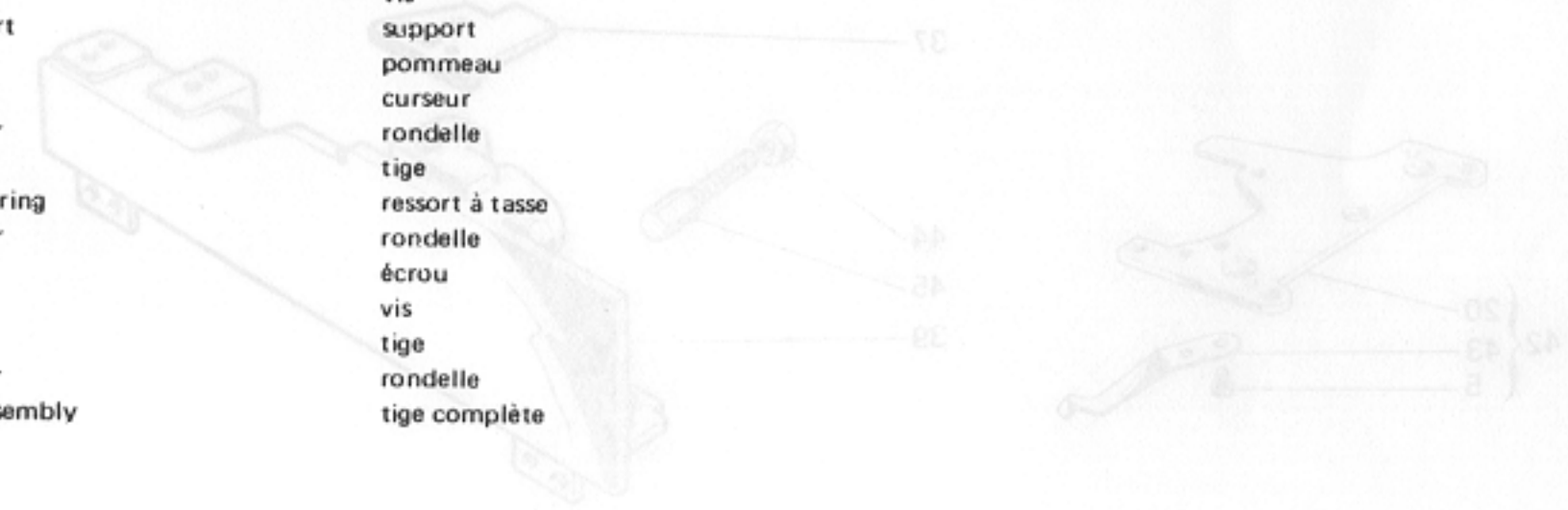


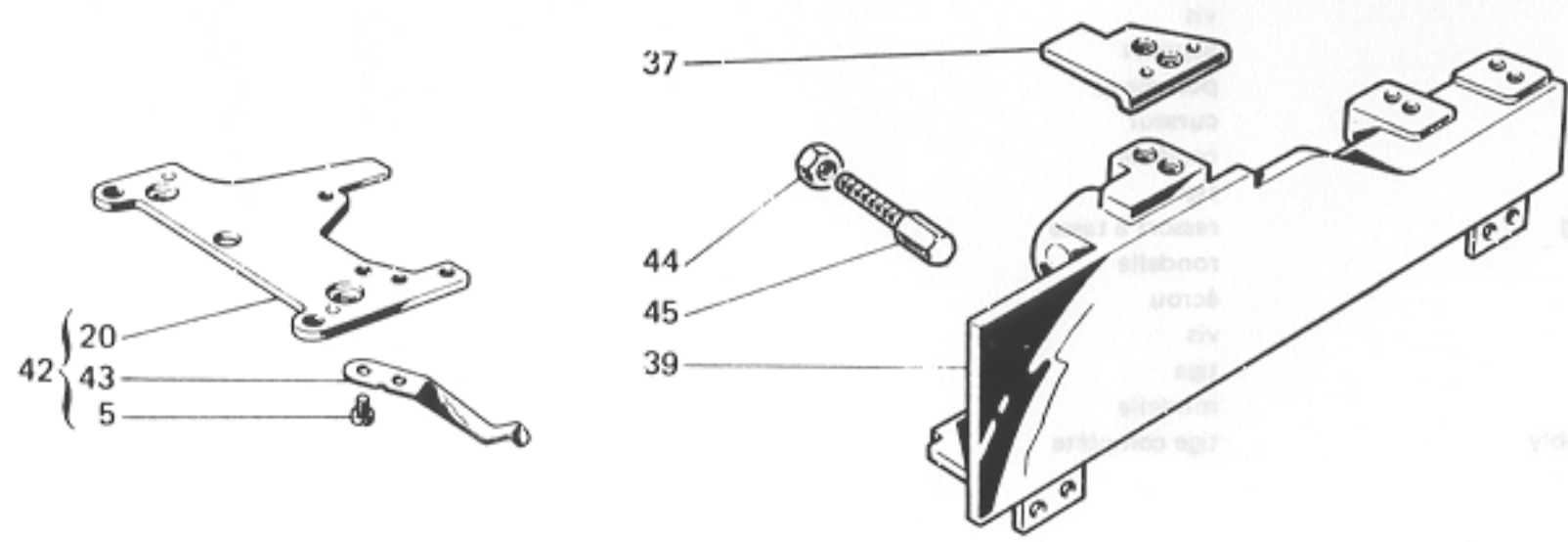
Fig. N. Abb.	Part. N. Piece Bestell N. Pieza N.	Cit. Anzahl	DESCRIZIONE	DESCRIPTION	DESCRIPTION	BENENNUNG	DESCRIPCION
★	308415-4-00	1	gruppo porta griffa	feed dog holder assembly	groupe porte-griffe		
●	308286-4-00	1	gruppo leva	lever assembly	groupe levier		
♣	308358-4-00	1	semialbero inferiore completo	lower half-shaft assembly	semi-arbre inférieur complet		
◆	308338-4-00	1	gruppo comando crochet	looper control assembly	groupe commande crochet		
1	202486-0-10	1	vite	screw	vis		
2	301519-2-11	1	attacco	clamp	raccord		
3	742813-0-00	1	vite	screw	vis		
4	308285-0-00	1	perno	pin	pivot		
5	308284-2-00	1	leva comando porta griffa	lever	levier		
6	704810-0-00	1	rondella	washer	rondelle		
7	746612-2-00	1	dado	nut	écrou		
8	308193-2-00	1	supporto con viti	support with screws	support avec vis		
9	729013-2-00	2	vite	screw	vis		
10	308189-0-00	2	bussola (non fornibile)	bush (not supplied)	bague (pas fournie)		
11	308190-0-00	2	anello di tenuta	retainer ring	bague d'étanchéité		
12	308191-4-00	1	supporto oscillante completo	support assembly	support coulissant complet		
13	745815-2-00	1	vite	screw	vis		
14	303825-0-10	1	braccio porta griffa	feed dog arm	bras porte-griffe		
15	309560-0-00	2	rondella	washer	rondelle		
16	304612-0-10	1	perno eccentrico	eccentric pin	pivot excentrique		
17	304684-0-10	1	vite fissaggio griffa	feed dog fixing screw	vis blocage griffe		
18	704406-0-00	1	rondella	washer	rondelle		
19	304616-0-11	1	squadretta	bracket	équerre		
20	778238-0-00	2	stoppino	wick	mèche		
21	300209-0-10	2	perno	pin	pivot		
22	308280-0-00	1	piastra disco	disc plate	plaque		
23	303458-0-11	1	bussola	bush	bague		
24	724441-0-00	4	vite	screw	vis		
25	745812-2-00	1	vite	screw	vis		
26	308465-0-00	1	salva ago mobile	movable needle guard	protège-aiguille mobile		
27	742811-0-00	1	vite	screw	vis		
28	308195-0-00	1	perno	pin	pivot		
29	308289-2-00	1	perno per supporto oscillante	pin	pivot		
30	308281-0-00	1	vite di registro	adjustment screw	vis de réglage		
31	308381-2-00	1	semialbero	half-shaft	semi-arbre		
32	308278-0-00	1	perno	pin	pivot		
33	746407-2-00	1	dado	nut	écrou		
34	704226-2-00	1	rondella	washer	rondelle		
35	728232-0-00	1	vite	screw	vis		
36	704846-0-00	1	rondella	washer	rondelle		
37	745136-2-00	3	vite	screw	vis		
38	308027-2-00	1	eccentrico con viti fig. 39	eccentric with screws fig. 39	excentrique avec vis fig. 39		
39	727834-2-00	4	vite	screw	vis		
40	301459-4-10	2	giunto completo per eccentrico	joint assembly for eccentric	joint compl. pour excentrique		
41	301458-0-10	2	giunto	joint	joint		
42	301579-0-10	2	gabbia a rullini	roller cage	cage à aiguilles		

From the library of: Diamond Needle Corp

Fig. N. Abb. N.	Part. N. Bestell. Piece N. N.	N. Anzahi	DESCRIZIONE	DESCRIPTION	DESCRIPTION	BENENNUNG	DESCRIPCION
	<u>Tav. 3</u>						
1	309062-4-00	1	piano lavoro completo	working plate assembly	plan de travail complet		
2	309044-2-00	1	piano lavoro	working plate	plan de travail		
5	721424-0-00	2	vite	screw	vis		
9	309305-2-00	1	coperchio scorrevole	sliding cover	couvercle coulissant		
20	308783-2-00	1	piastra porta placca	plate	plaque		
28	724422-2-00	1	vite	screw	vis		
37	309232-2-00	1	piastrina	plate	plaque		
39	309186-3-00	1	carter anteriore completo	front cover assembly	carter avant complet		
42	308787-4-00	1	piastra porta placca completa	plate assembly	plaque complète		
43	300277-0-10	1	molla	spring	ressort		
44	746021-2-00	1	dado per vite di fermo	nut	écrou		
45	309331-0-00	1	vite di fermo	screw	vis de blocage		
	<u>Tav. 4</u>						
74	740251-0-00	1	vite per settore differenziale	screw for differential sector	vis pour secteur différentiel		
75	746002-2-00	1	dado per settore differenziale	nut for differential sector	écrou pour secteur différentiel		
			PEZZI ANNULLATI	CANCELLED PARTS	PIECES ANNULLEES		
	<u>Tav. 3</u>						
29	309360-0-00	1	molla chiusura carter	spring	ressort		

From the library of: Diamond Needle Corp

TAV. 3



TAV. 4

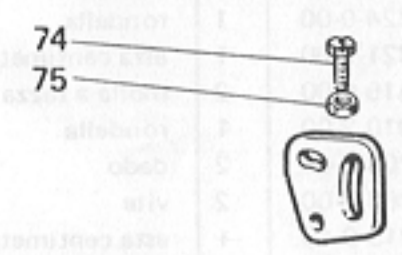
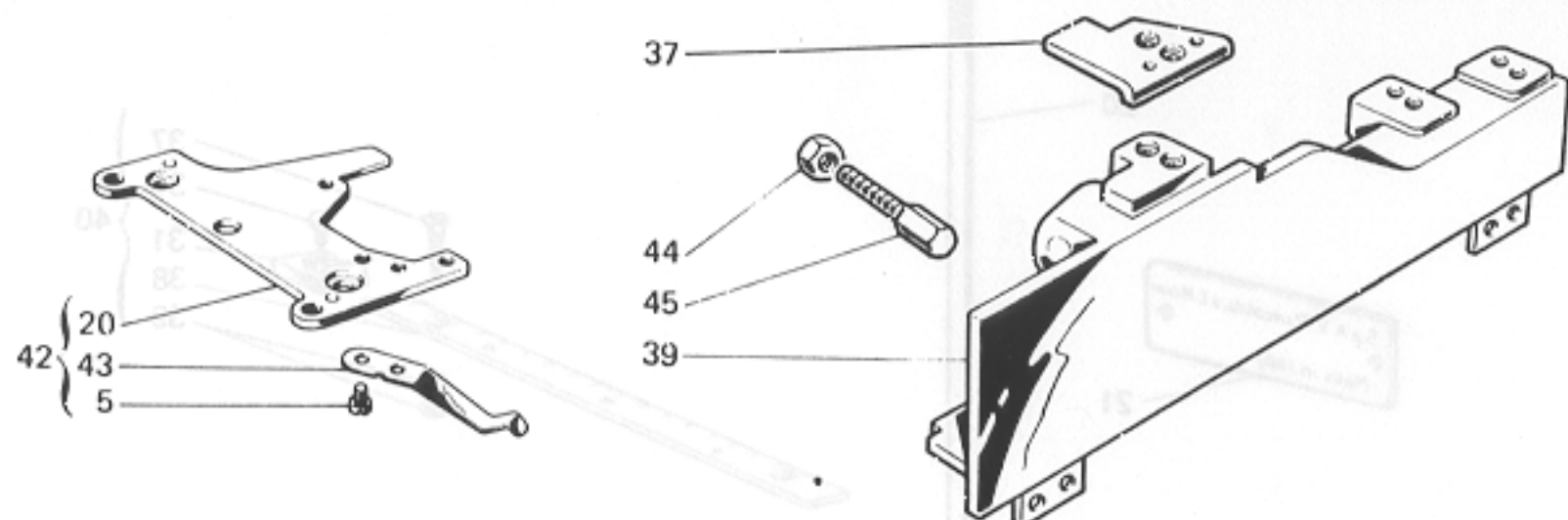


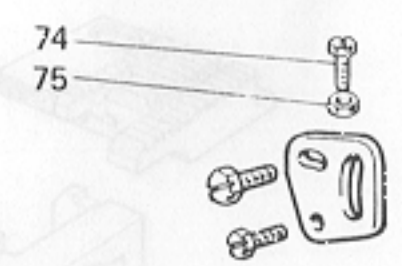
Fig. N. Abb.	Part. N. Bestell N. Piece N. Pieza N.	Qt. Anzahl	DESCRIZIONE	DESCRIPTION	DESCRIPTION	BENENNUNG	DESCRIPCION
	<u>Tav. 3</u>						
1	309062-4-00	1	piano lavoro completo	working plate assembly	plan de travail complet		
2	309044-2-00	1	piano lavoro	working plate	plan de travail		
5	721424-0-00	2	vite	screw	vis		
9	309305-2-00	1	coperchio scorrevole	sliding cover	couvercle coulissant		
20	308783-2-00	1	piastra porta placca	plate	plaque		
28	724422-2-00	1	vite	screw	vis		
37	309232-2-00	1	piastrina	plate	plaque		
39	309186-3-00	1	carter anteriore completo	front cover assembly	carter avant complet		
42	308787-4-00	1	piastra porta placca completa	plate assembly	plaque complète		
43	300277-0-10	1	molla	spring	ressort		
44	746021-2-00	1	dado per vite di fermo	nut	écrou		
45	309331-0-00	1	vite di fermo	screw	vis de blocage		
	<u>Tav. 4</u>						
74	740251-0-00	1	vite per settore differenziale	screw for differential sector	vis pour secteur différentiel		
75	746002-2-00	1	dado per settore differenziale	nut for differential sector	écrou pour secteur différentiel		
	<u>Tav. 8</u>						
▲	309803-4-00	1	morsetto porta aghi completo	needle clamp assembly	porte-aiguilles complet		
30	309750-0-00	1	morsetto porta aghi	needle clamp	porte-aiguilles		
46	309771-0-00	1	passafilo	thread guide	passe-fil		
			PEZZI ANNULLATI	CANCELLED PARTS	PIECES ANNULLEES		
	<u>Tav. 3</u>						
29	309360-0-00	1	molla chiusura carter	spring	ressort		

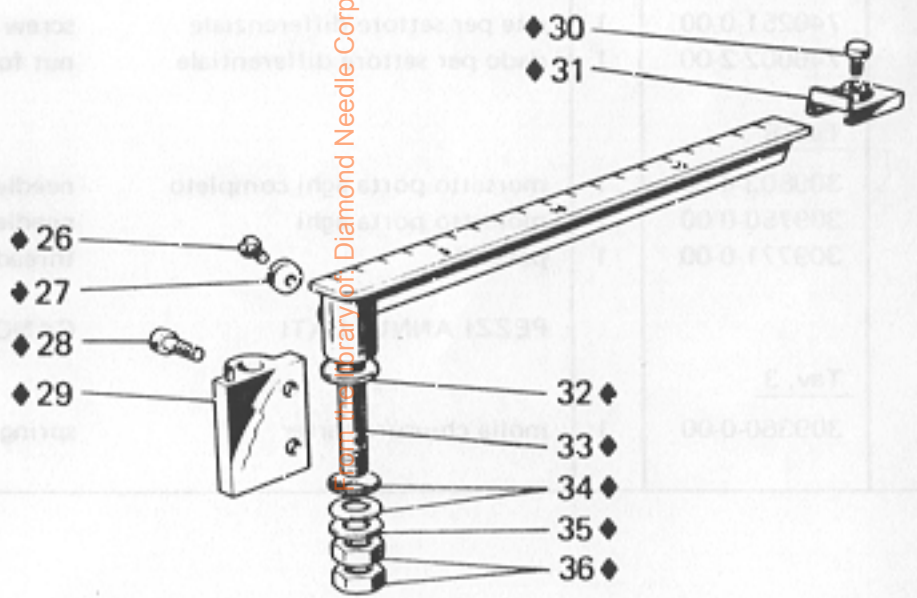
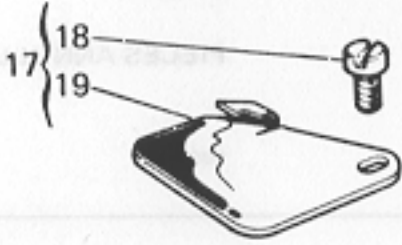
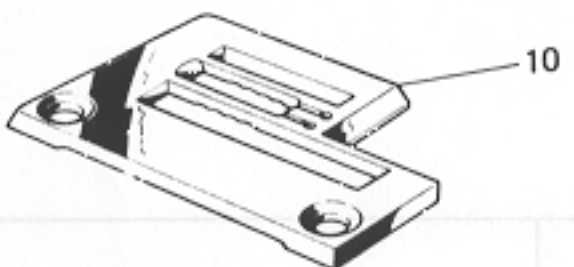
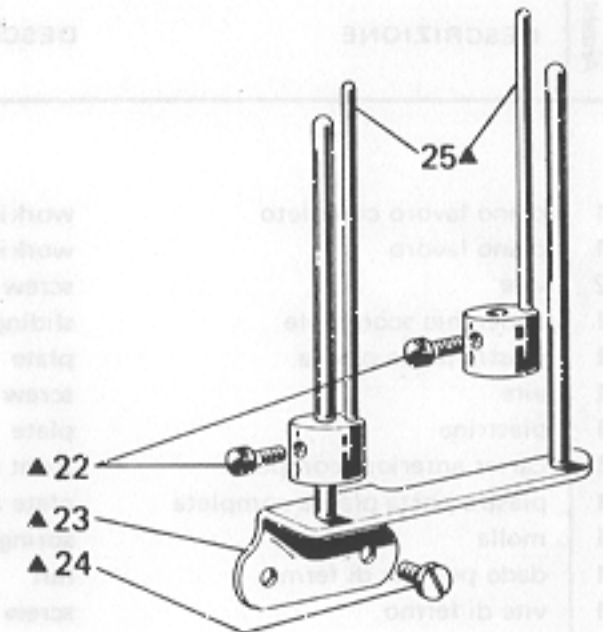
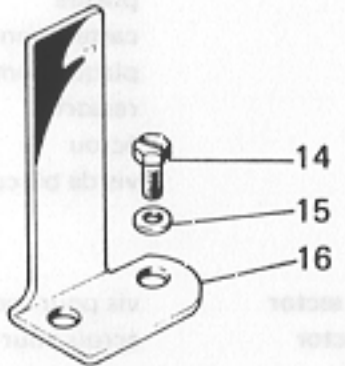
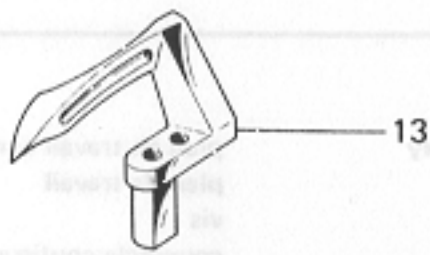
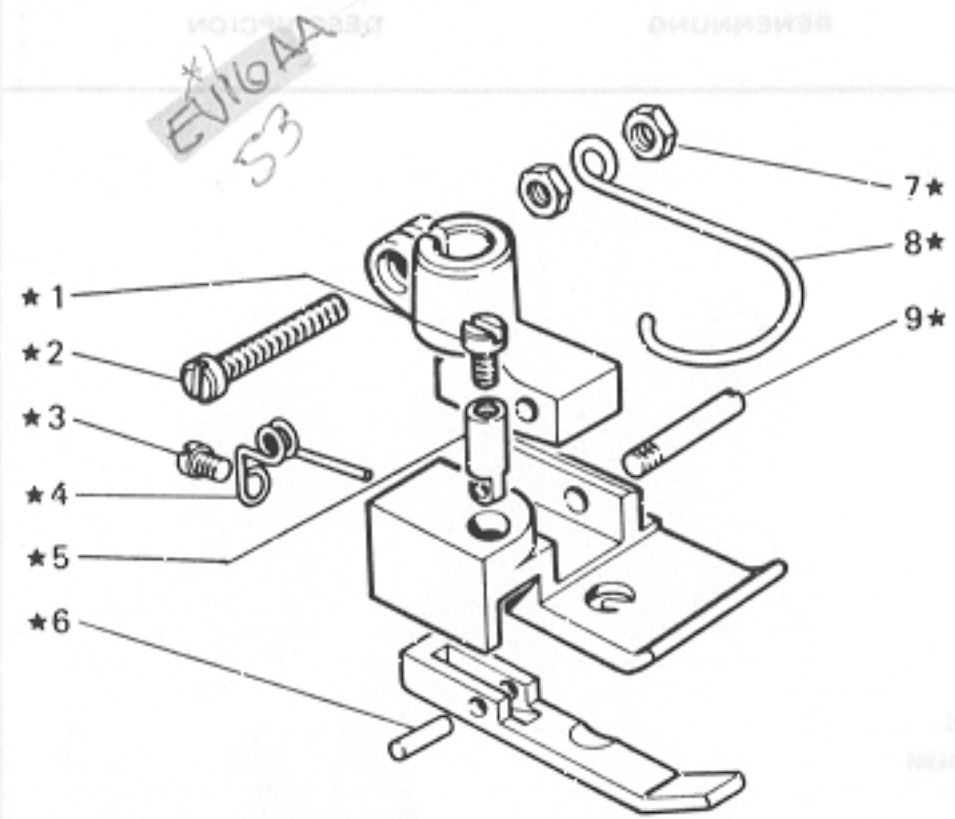
From the library of: Diamond Needle Corp

TAV. 3



TAV. 4





A.VAT

B.VAT

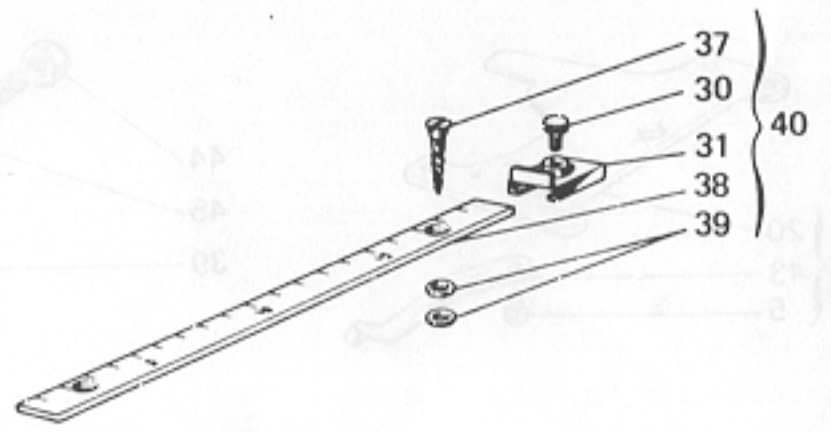
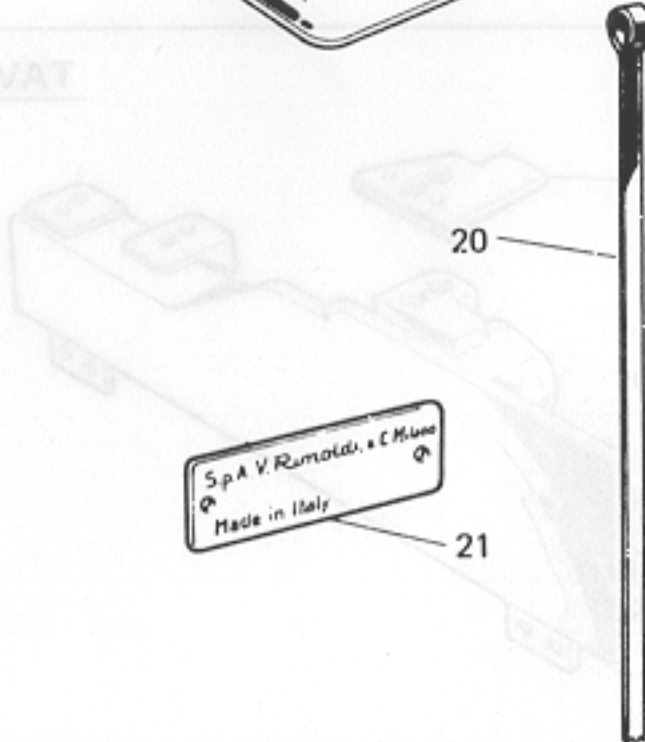
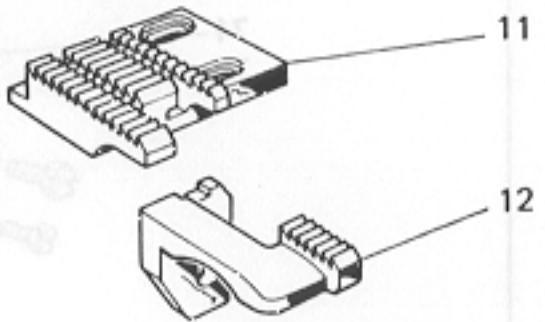
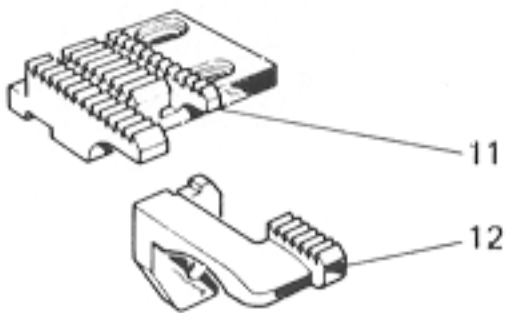
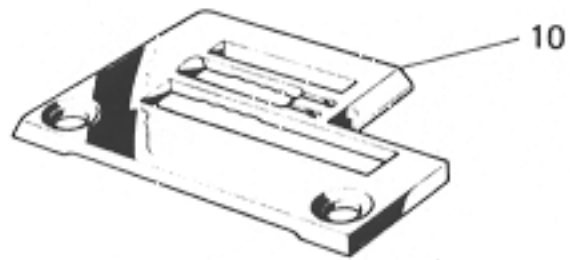
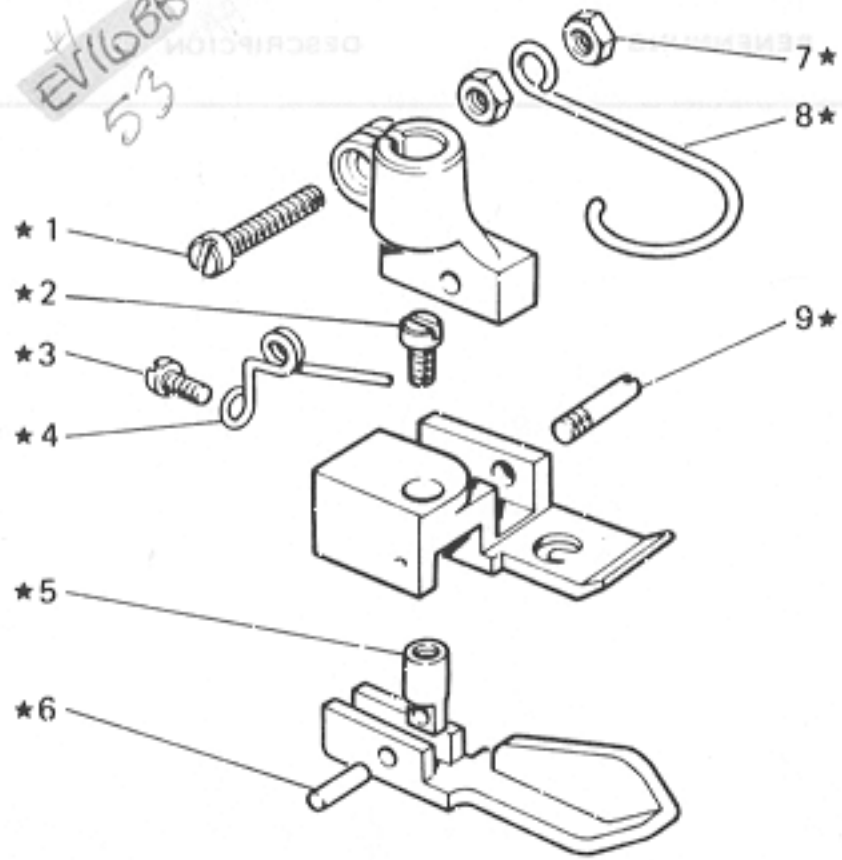
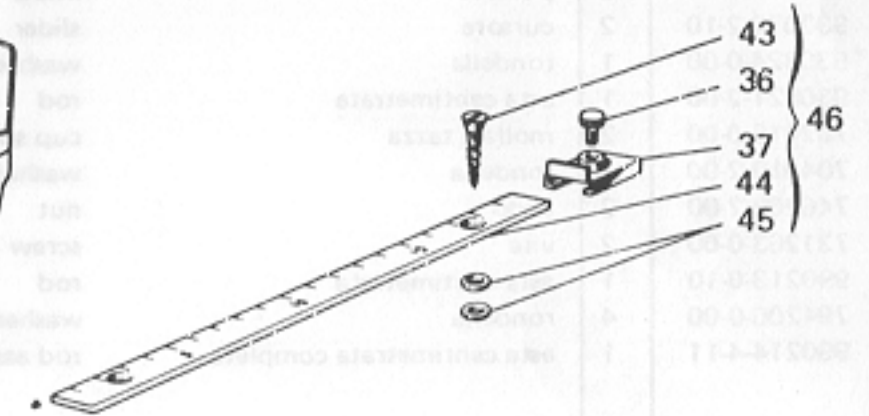
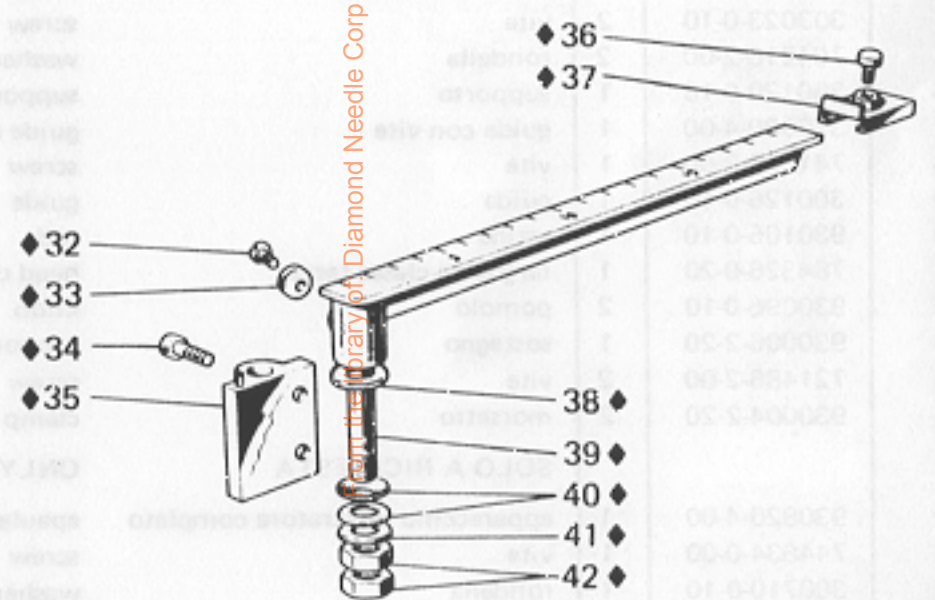
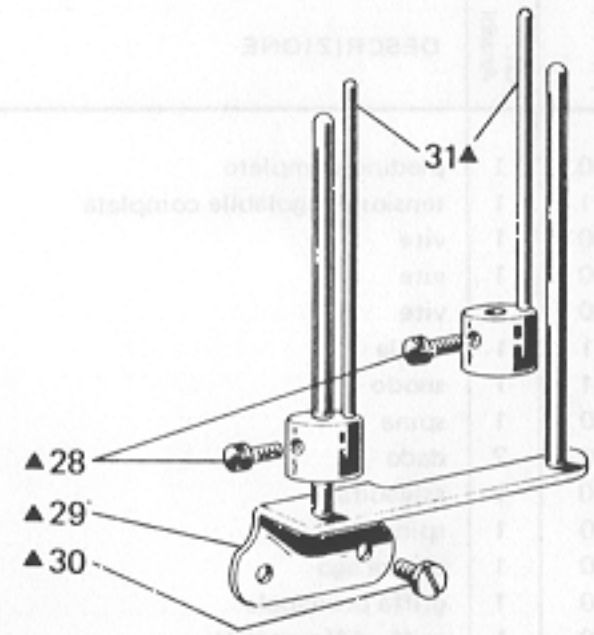
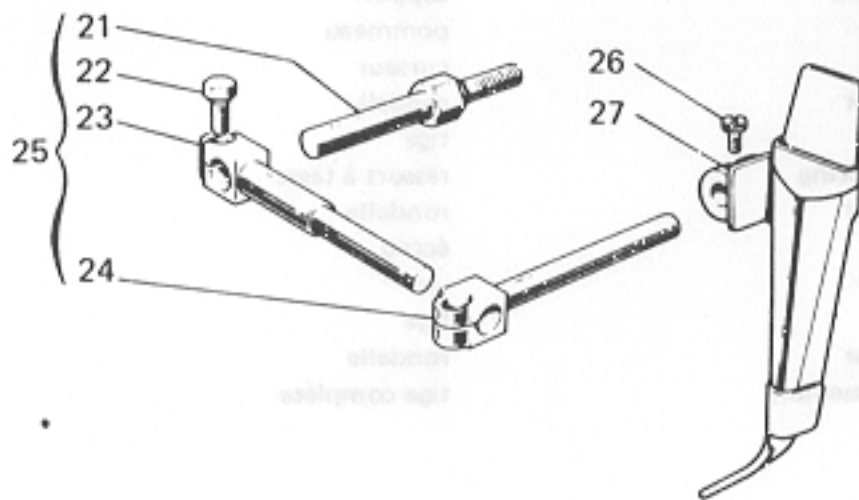
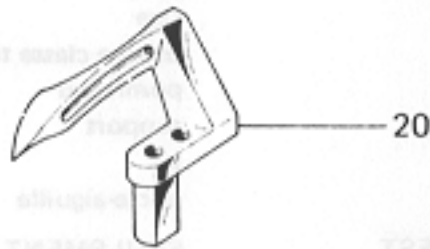
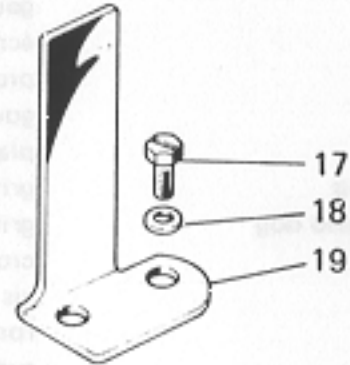
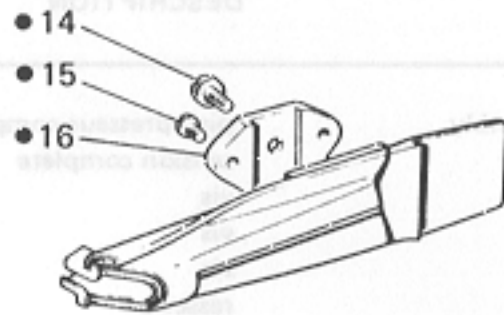


Fig. N. Abb. N.	Part. N. Piece N. Bestell N. Pieza N.	Qt. Anzahl	DESCRIZIONE	DESCRIPTION	DESCRIPTION	BENENNUNG	DESCRIPCION
★	306604-3-00	1	piedino completo	presserfoot assembly	pied-presseur complet		
▲	930000-4-11	1	tensione regolabile completa	tension assembly	tension complète		
1	741414-2-00	1	vite	screw	vis		
2	741781-2-00	1	vite	screw	vis		
3	721411-2-00	1	vite	screw	vis		
4	300119-0-11	1	molla	spring	ressort		
5	300117-0-11	1	snodo	knuckle	axe		
6	300118-0-10	1	spina	pin	goupille		
7	733504-2-00	2	dado	nut	écrou		
8	990808-0-00	1	salvadita	protection	protection		
9	300120-0-10	1	spina	pin	goupille		
10	301759-0-10	1	placca ago	needle plate	plaque à aiguille		
11	300102-0-10	1	griffa principale	main feed dog	griffe principale		
12	300104-0-10	1	griffa differenziale	differential feed dog	griffe différentielle		
13	302057-0-11	1	crochet inferiore	lower looper	crochet inférieur		
14	303023-0-10	2	vite	screw	vis		
15	704216-2-00	2	rondella	washer	rondelle		
16	300129-0-10	1	supporto	support	support		
17	310000-4-00	1	guida con vite	guide with screw	guide avec vis		
18	741658-2-00	1	vite	screw	vis		
19	300126-0-10	1	guida	guide	guide		
20	930105-0-10	1	astina	rod	tige		
21	784326-0-20	1	targhetta classe testa	head class plate	plaque classe tête		
22	930096-0-10	2	pomolo	knob	potiveau		
23	930006-2-20	1	sostegno	support	support		
24	721486-2-00	2	vite	screw	vis		
25	930004-2-20	2	morsetto	clamp	porte-aiguille		
			SOLO A RICHIESTA	ONLY ON REQUEST	SEULEMENT SUR DEMANDE		
◆	930820-4-00	1	apparecchio misuratore completo	epaulet measurer assembly	régle bretelles complet		
26	744634-0-00	1	vite	screw	vis		
27	300710-0-10	1	rondella	washer	rondelle		
28	722443-2-00	2	vite	screw	vis		
29	930819-2-00	1	supporto	support	support		
30	930075-0-10	2	pomolo	knob	potiveau		
31	930072-2-10	2	cursore	slider	curseur		
32	930824-0-00	1	rondella	washer	rondelle		
33	930821-2-00	1	asta centimetrata	rod	tige		
34	702415-0-00	2	molla a tazza	cup spring	ressort à tasse		
35	704010-2-00	1	rondella	washer	rondelle		
36	746209-2-00	2	dado	nut	écrou		
37	731263-0-00	2	vite	screw	vis		
38	990213-0-10	1	asta centimetrata	rod	tige		
39	704206-0-00	4	rondella	washer	rondelle		
40	990214-4-11	1	asta centimetrata completa	rod assembly	tige complète		

EV/1688
53

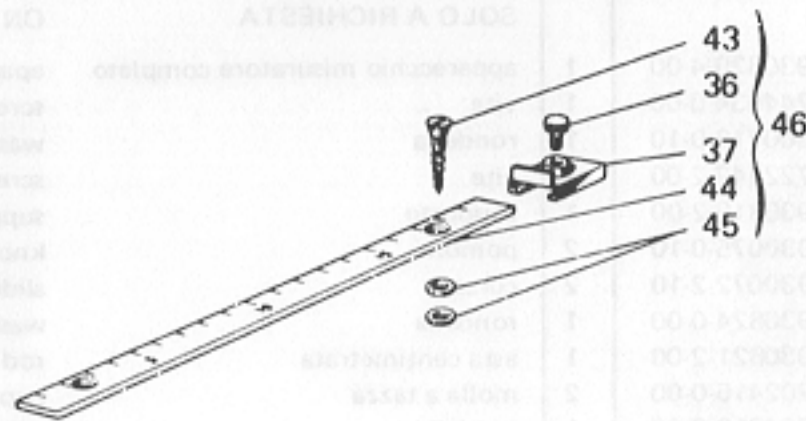
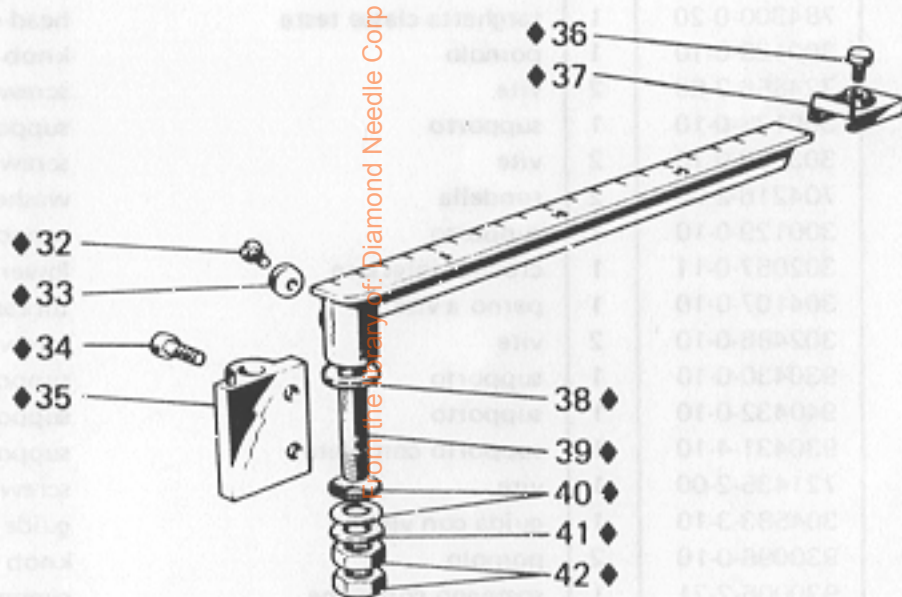
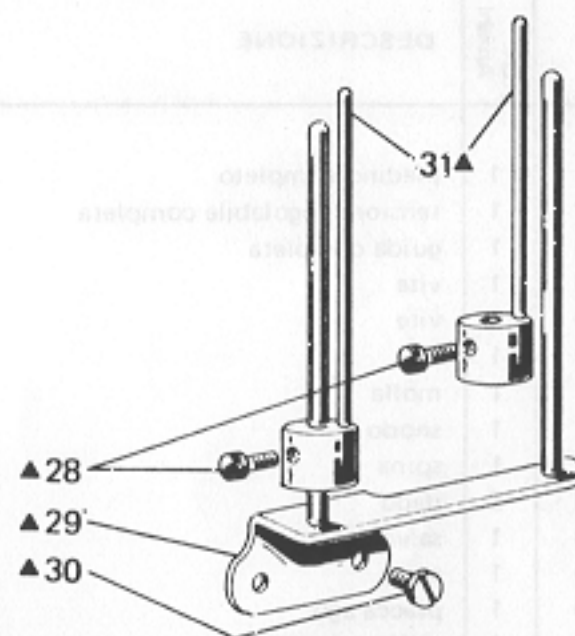
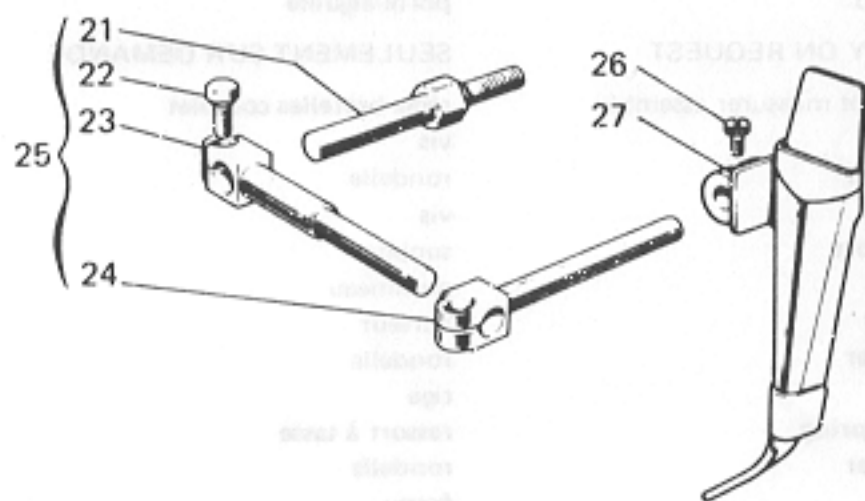
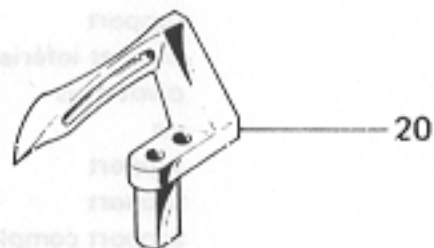
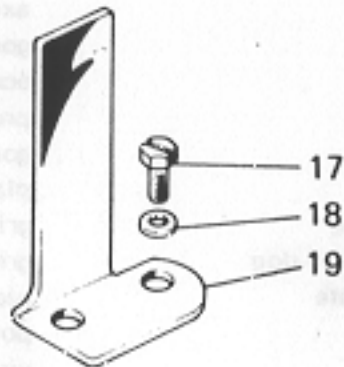
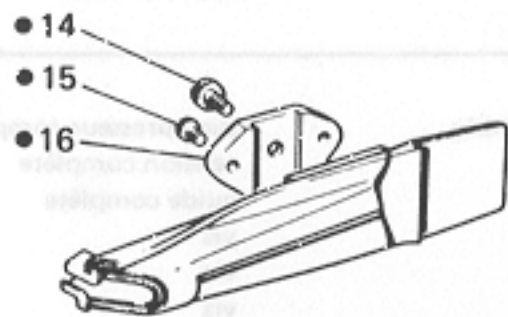
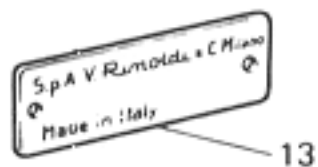
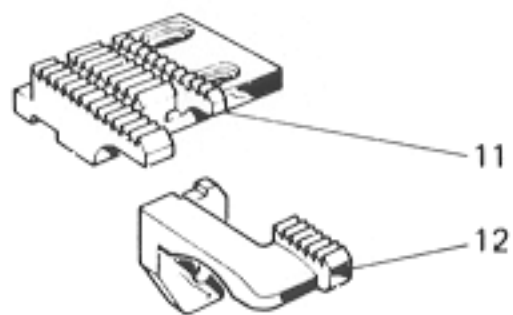
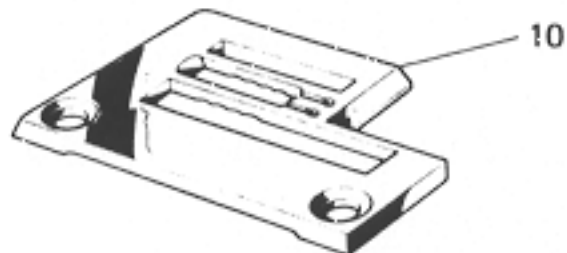
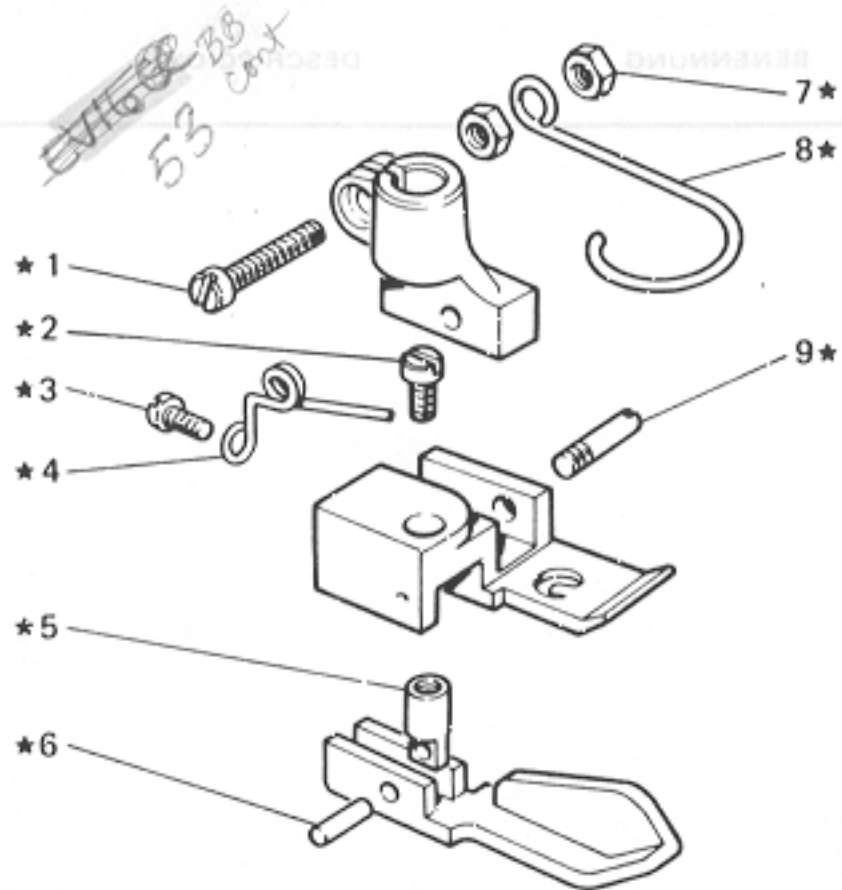


SpA V. Ramoldi & C. Milano
 Made in Italy



from the library of Diamond Needle Corp

Fig. N. Abb.	Part. N. Bestell. Piece N. Pieza N.	Qt. Anzani	DESCRIZIONE	DESCRIPTION	DESCRIPTION	BENENNUNG	DESCRIPCION
★	306698-3-01	1	piedino completo	presserfoot assembly	pied-presseur complet		
▲	930000-4-12	1	tensione regolabile completa	tension assembly	tension complète		
●	304584-4-10	1	guida completa	guide assembly	guide complète		
1	741781-2-00	1	vite	screw	vis		
2	741414-2-00	1	vite	screw	vis		
3	721411-2-00	1	vite	screw	vis		
4	300119-0-11	1	molla	spring	ressort		
5	300117-0-11	1	snodo	knuckle	axe		
6	300118-0-10	1	spina	pin	goupille		
7	733504-2-00	2	dado	nut	écrou		
8	990808-0-00	1	salvadita	protection	protection		
9	300120-0-10	1	spina	pin	goupille		
10	301765-0-10	1	placca ago	needle plate	plaque aiguille		
11	300102-0-10	1	griffa principale	main feed dog	griffe principale		
12	300104-0-10	1	griffa differenziale	differential feed dog	griffe différentielle		
13	784300-0-20	1	targhetta classe testa	head class plate	plaque classe tête		
14	300128-0-10	1	pomolo	knob	pommeau		
15	724856-2-00	2	vite	screw	vis		
16	300175-0-10	1	supporto	support	support		
17	303023-0-10	2	vite	screw	vis		
18	704216-2-00	2	rondella	washer	rondelle		
19	300129-0-10	1	supporto	support	support		
20	302057-0-11	1	crochet inferiore	lower looper	crochet inférieur		
21	304107-0-10	1	perno a vite	threaded pin	pivot à vis		
22	302486-0-10	2	vite	screw	vis		
23	930430-0-10	1	supporto	support	support		
24	940432-0-10	1	supporto	support	support		
25	930431-4-10	1	supporto completo	support assembly	support complet		
26	721435-2-00	1	vite	screw	vis		
27	304583-3-10	1	guida con vite	guide with screw	guide avec vis		
28	930096-0-10	2	pomolo	knob	pommeau		
29	930006-2-21	1	sostegno con spine	support with pin	support avec goupille		
30	721486-2-00	2	vite	screw	vis		
31	930004-2-20	1	morsetto	clamp	porte-aiguille		
			SOLO A RICHIESTA	ONLY ON REQUEST	SEULEMENT SUR DEMANDE		
◆	930820-4-00	1	apparecchio misuratore completo	epaulet measurer assembly	règle bretelles complet		
32	744634-0-00	1	vite	screw	vis		
33	300710-0-10	1	rondella	washer	rondelle		
34	722443-2-00	2	vite	screw	vis		
35	930819-2-00	1	supporto	support	support		
36	930075-0-10	2	pomolo	knob	pommeau		
37	930072-2-10	2	cursore	slider	curseur		
38	930824-0-00	1	rondella	washer	rondelle		
39	930821-2-00	1	asta centimetrata	rod	tige		
40	702415-0-00	2	molla a tazza	cup spring	ressort à tasse		
41	704010-2-00	1	rondella	washer	rondelle		
42	746209-2-00	2	dado	nut	écrou		



Com the Vary: Diamond Needle Corp

[Handwritten mark]

Fig. N. Abb. N.	Part. N. Piece N. Bestell N. Pieza N.	Qt. Anzahl	DESCRIZIONE	DESCRIPTION	DESCRIPTION	BENENNUNG	DESCRIPCION
43	731263-0-00	2	vite	screw	vis		
44	990213-0-10	1	asta centimetrata	rod	tige		
45	704206-0-00	4	rondella	washer	rondelle		
46	990214-4-11	1	asta centimetrata completa	rod assembly	tige complète		

From the library of: Diamond Needle Corp

AVAT

AVAT

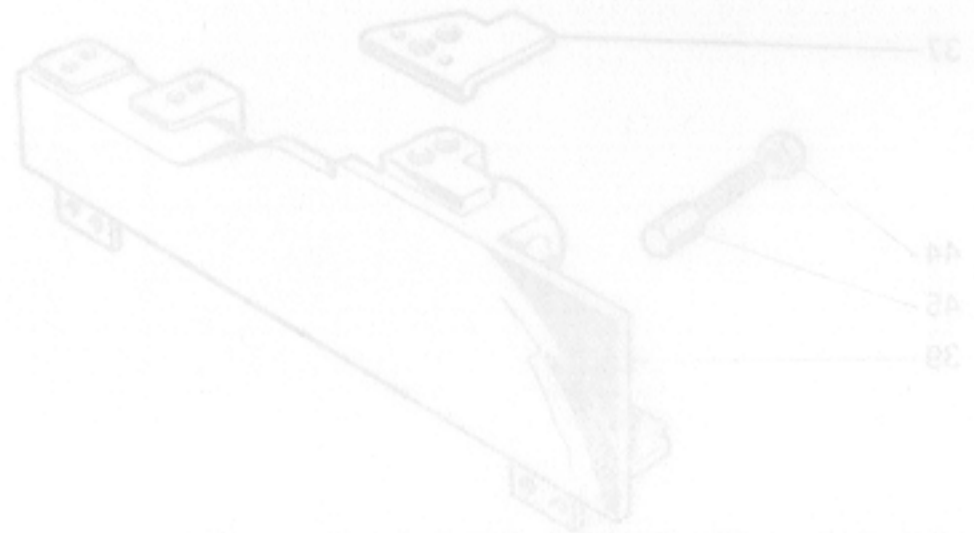
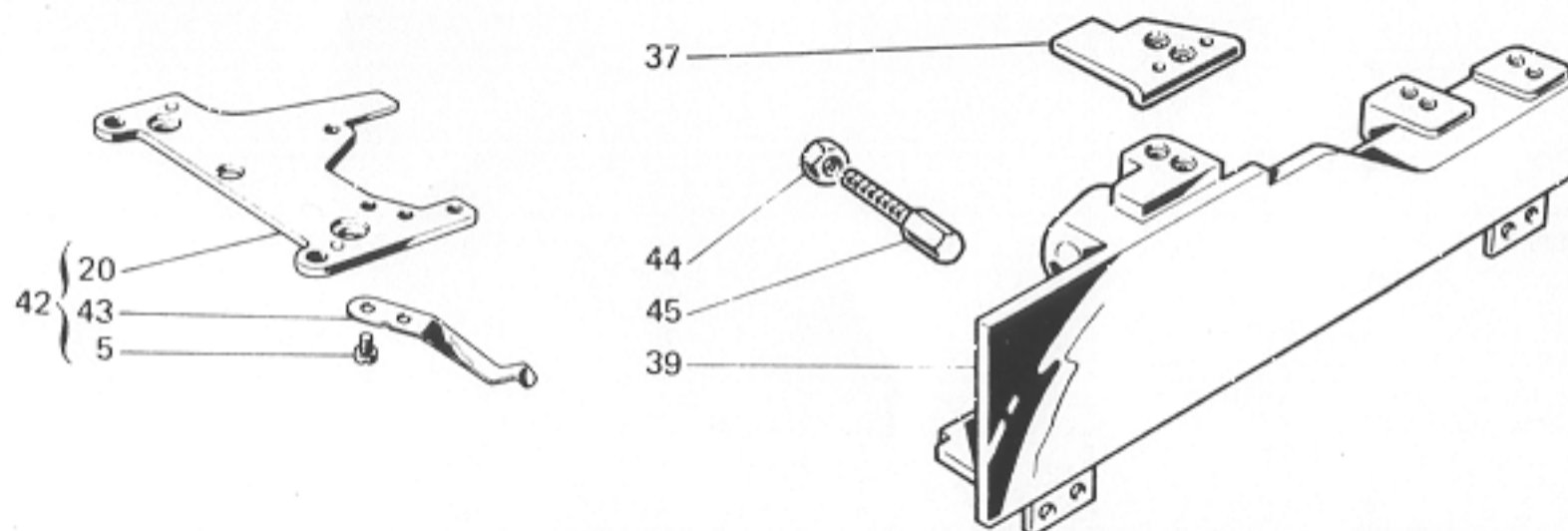


Fig. N. Abb.	Part. N. Bestell N. Piece N. Piezu N.	Qt. Anzahl	DESCRIZIONE	DESCRIPTION	DESCRIPTION	BENENNUNG	DESCRIPCION
	<u>Tav. 3</u>						
1	309062-4-00	1	piano lavoro completo	working plate assembly	plan de travail complet		
2	309044-2-00	1	piano lavoro	working plate	plan de travail		
5	721424-0-00	2	vite	screw	vis		
9	309305-2-00	1	coperchio scorrevole	sliding cover	couvercle coulissant		
14	302353-0-10	1	vite inferiore	lower screw	vis inférieur		
20	308783-2-00	1	piastra porta placca	plate	plaque		
28	724422-2-00	1	vite	screw	vis		
37	309232-2-00	1	piastrina	plate	plaque		
39	309186-3-00	1	carter anteriore completo	front cover assembly	carter avant complet		
42	308787-4-00	1	piastra porta placca completa	plate assembly	plaque complète		
43	300277-0-10	1	molla	spring	ressort		
44	746021-2-00	1	dado per vite di fermo	nut	écrou		
45	309331-0-00	1	vite di fermo	screw	vis de blocage		
	<u>Tav. 4</u>						
74	740251-0-00	1	vite per settore differenziale	screw for differential sector	vis pour secteur différentiel		
75	746002-2-00	1	dado per settore differenziale	nut for differential sector	écrou pour secteur différentiel		
	<u>Tav. 8</u>						
32	766000-6-90	2	ago sist. Rim 63 fin. 90	needle syst. Rim 63 size 90	aiguille syst. Rim 63 jauge 90		
			PEZZI ANNULLATI	CANCELLED PARTS	PIECES ANNULEES		
	<u>Tav. 3</u>						
29	309360-0-00	1	molla chiusura carter	spring	ressort		
	<u>Tav. 15</u>						
★	990629-4-12	1	porta rotolo sup. completo	upper roll carrier assembly	porte-rouleau supérieur complet		

From the library of: Diamond Needle Corp

TAV. 3



TAV. 4

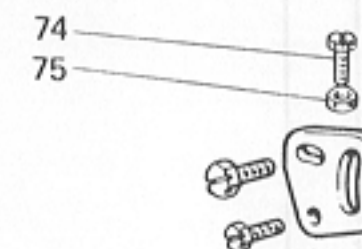
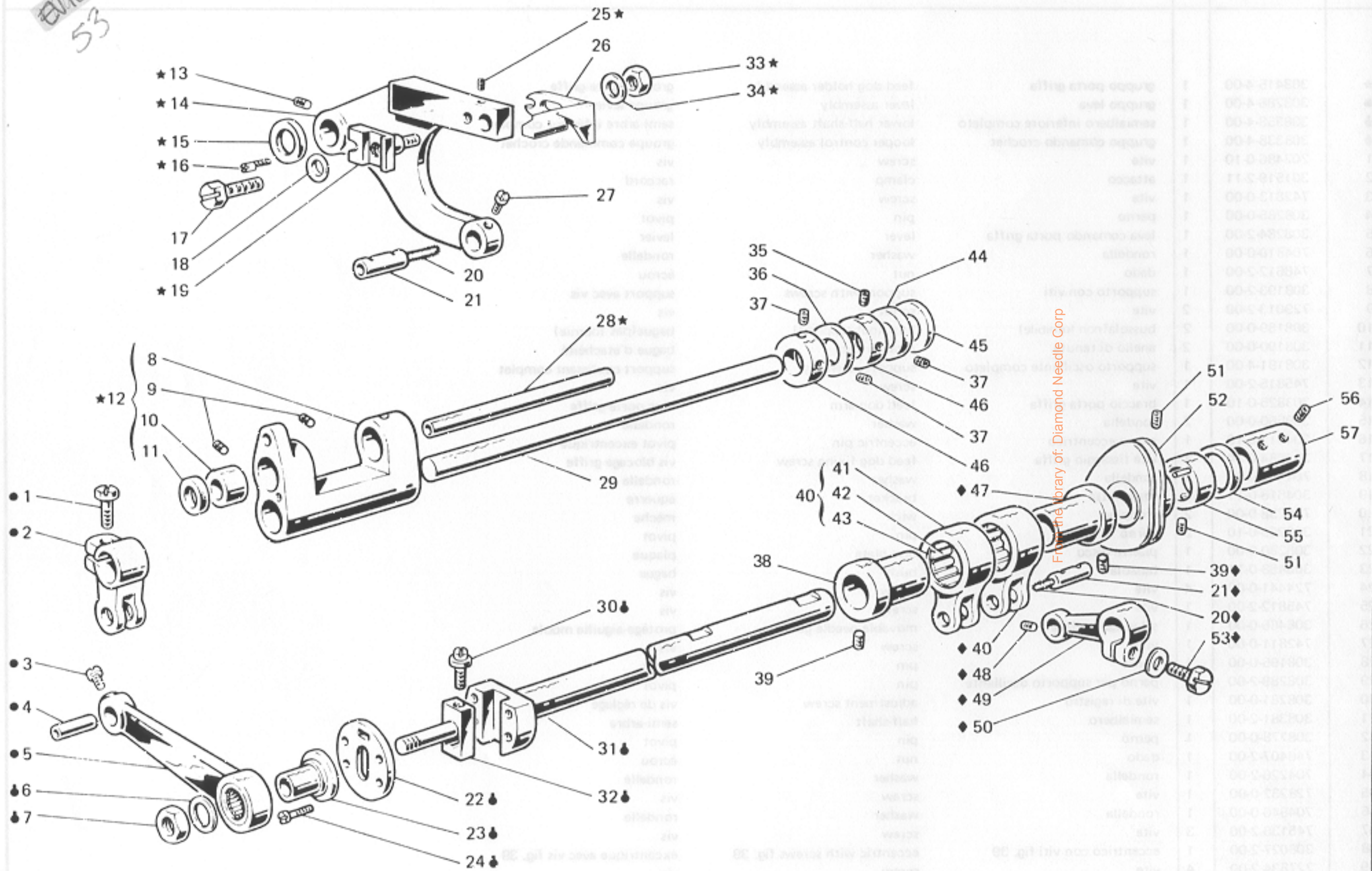


Fig. N. Abb. N.	Part. N. Bestell N. Piece N. Pieza N.	Qt. Anzahl	DESCRIZIONE	DESCRIPTION	DESCRIPTION	BENENNUNG	DESCRIPCION
★	306610-3-00	1	piedino completo	presserfoot assembly	pied-presseur complet		
●	300785-4-10	1	guida completa	guide assembly	guide complet		
◆	930802-4-00	1	gruppo frenaggio	brake assembly	group freinage		
1	740210-2-00	1	vite	screw	vis		
2	704104-2-00	1	rondella	washer	rondeile		
3	706461-0-00	2	spina	pin	goupille		
4	300759-0-10	1	molla	spring	ressort		
5	743285-2-00	1	vite	screw	vis		
6	733504-2-00	2	dado	nut	écrou		
7	990806-0-00	1	salvadita	protection	protection		
8	300748-0-11	1	guida	guide	guide		
9	300765-0-10	1	spina	pin	goupille		
10	300762-0-11	1	rullino	roller	rouleau		
11	302496-0-10	1	placca ago	needle plate	plaque à aiguille		
12	302488-0-11	1	griffa principale	main feed dog	griffe principale		
13	302491-0-10	1	griffa differenziale	differential feed dog	griffe différentielle		
14	744634-0-00	1	vite	screw	vis		
15	300710-0-10	1	rondella eccentrica	eccentric washer	rondelle excentrique		
16	300781-2-10	1	guida	guide	guide		
17	302057-0-11	1	crochet inferiore	lower looper	crochet inférieur		
18	930136-0-10	1	dado ad alette	nut	écrou		
19	930067-0-10	1	spina	pin	goupille		
20	930120-0-10	1	pomolo	knob	pommeau		
21	930801-2-00	1	piastra	plate	plaque		
22	930281-0-11	2	vite	screw	vis		
23	741913-4-00	1	vite	screw	vis		
24	300406-0-10	1	vite	screw	vis		
25	300686-2-10	1	supporto	support	support		
26	300683-0-10	1	rondella distanziale	spacer washer	rondelle entretoise		
27	784300-0-20	1	targhetta classe testa	head class plate	plaque classe tête		
28	930288-0-10	2	asta	rod	tige		
29	930109-3-10	1	telaio	frame	bâti		
30	930092-0-10	1	cursore	slider	curseur		
31	727026-0-00	3	vite	screw	vis		
32	990596-0-10	2	pomolo	knob	pommeau		
33	930114-2-10	1	guida	guide	guide		
			SOLO A RICHIESTA	ONLY ON REQUEST	SEULEMENT SUR DEMANDE		
■	301051-4-10	1	guida completa	guide assembly	guide complet		
11	302497-0-10	1	placca ago	needle plate	plaque à aiguille		
34	301041-2-10	1	guida	guide	guide		

From the library of: Diamond Needle Corp

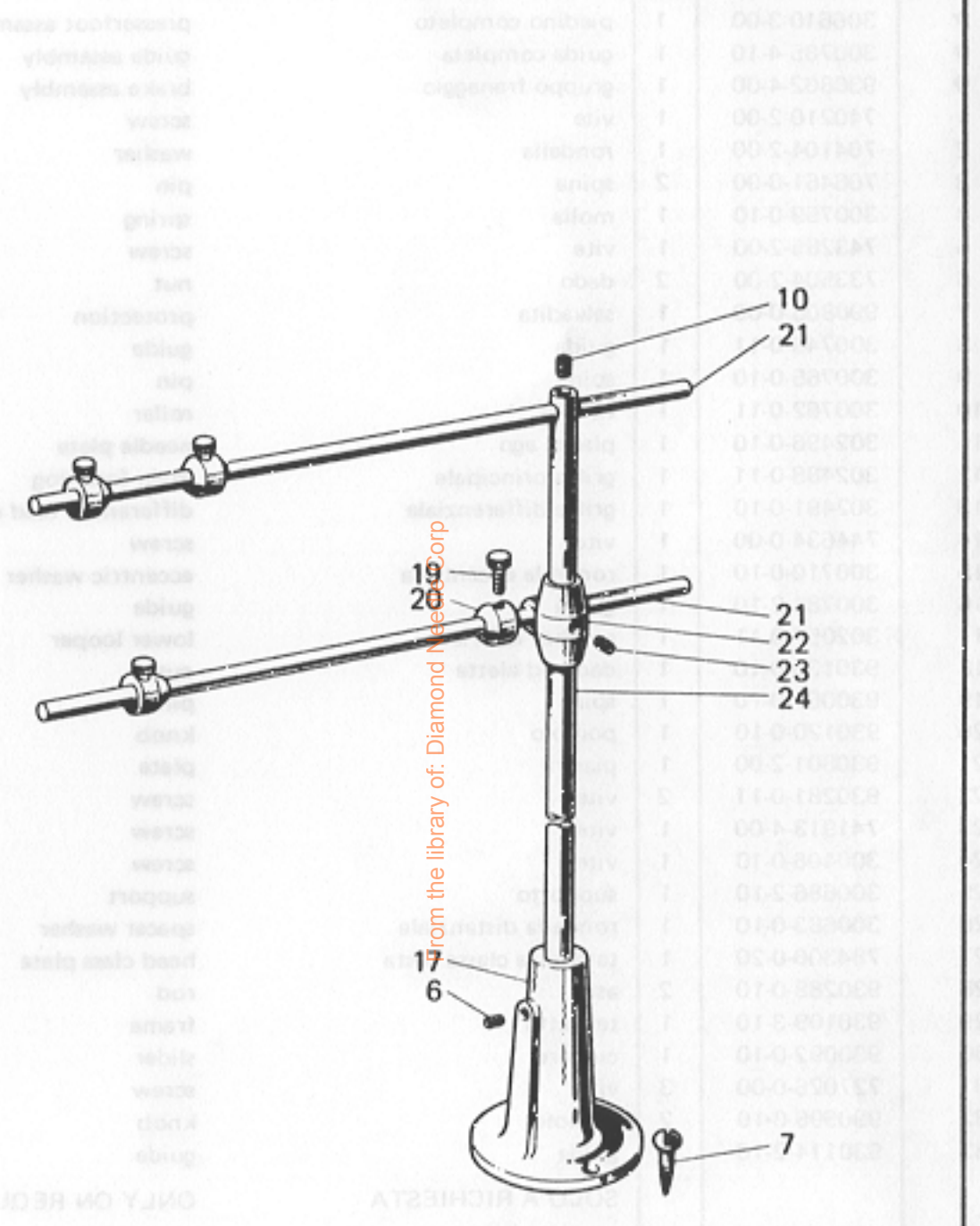
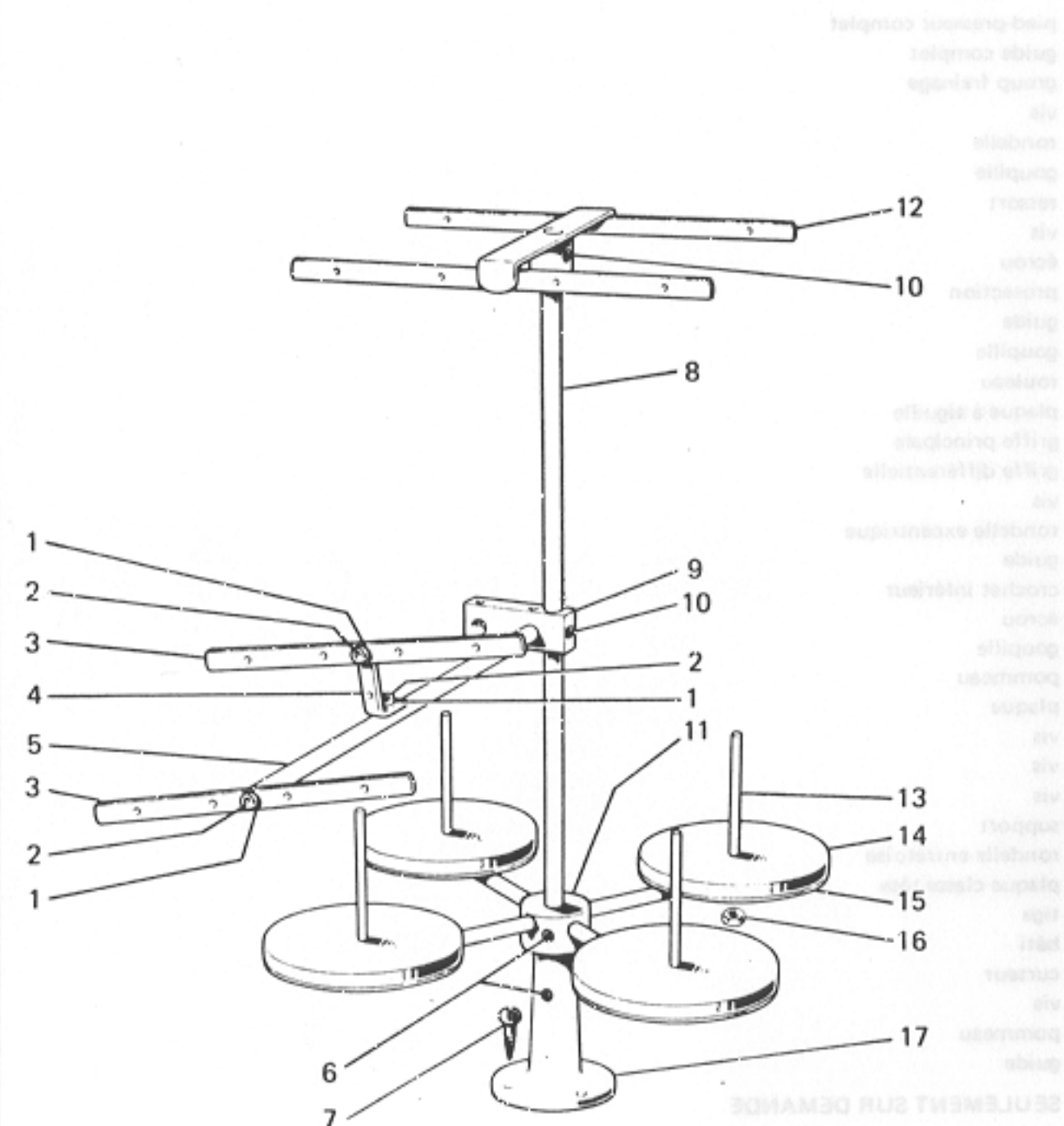


EMBOE
53 B. cont.



From the library of: Diamond Needle Corp

DESCRIPTION	BENENHUNG	DESCRIPTION	DESCRIPTION	DESCRIPTION	QTY	Part #	Part #	Part #
guide complete		guide complete	guide complete	guide complete	1	308810-3-00	308810-3-00	308810-3-00
guide complete		guide complete	guide complete	guide complete	1	308810-4-10	308810-4-10	308810-4-10
group frame		group frame	group frame	group frame	1	308810-4-00	308810-4-00	308810-4-00
rod		rod	rod	rod	1	308810-5-00	308810-5-00	308810-5-00
rod		rod	rod	rod	1	308810-6-00	308810-6-00	308810-6-00
rod		rod	rod	rod	1	308810-7-00	308810-7-00	308810-7-00
rod		rod	rod	rod	1	308810-8-00	308810-8-00	308810-8-00
rod		rod	rod	rod	1	308810-9-00	308810-9-00	308810-9-00
rod		rod	rod	rod	1	308810-10-00	308810-10-00	308810-10-00
rod		rod	rod	rod	1	308810-11-00	308810-11-00	308810-11-00
rod		rod	rod	rod	1	308810-12-00	308810-12-00	308810-12-00
rod		rod	rod	rod	1	308810-13-00	308810-13-00	308810-13-00
rod		rod	rod	rod	1	308810-14-00	308810-14-00	308810-14-00
rod		rod	rod	rod	1	308810-15-00	308810-15-00	308810-15-00
rod		rod	rod	rod	1	308810-16-00	308810-16-00	308810-16-00
rod		rod	rod	rod	1	308810-17-00	308810-17-00	308810-17-00
rod		rod	rod	rod	1	308810-18-00	308810-18-00	308810-18-00
rod		rod	rod	rod	1	308810-19-00	308810-19-00	308810-19-00
rod		rod	rod	rod	1	308810-20-00	308810-20-00	308810-20-00
rod		rod	rod	rod	1	308810-21-00	308810-21-00	308810-21-00
rod		rod	rod	rod	1	308810-22-00	308810-22-00	308810-22-00
rod		rod	rod	rod	1	308810-23-00	308810-23-00	308810-23-00
rod		rod	rod	rod	1	308810-24-00	308810-24-00	308810-24-00
rod		rod	rod	rod	1	308810-25-00	308810-25-00	308810-25-00
rod		rod	rod	rod	1	308810-26-00	308810-26-00	308810-26-00
rod		rod	rod	rod	1	308810-27-00	308810-27-00	308810-27-00
rod		rod	rod	rod	1	308810-28-00	308810-28-00	308810-28-00
rod		rod	rod	rod	1	308810-29-00	308810-29-00	308810-29-00
rod		rod	rod	rod	1	308810-30-00	308810-30-00	308810-30-00
rod		rod	rod	rod	1	308810-31-00	308810-31-00	308810-31-00
rod		rod	rod	rod	1	308810-32-00	308810-32-00	308810-32-00
rod		rod	rod	rod	1	308810-33-00	308810-33-00	308810-33-00
rod		rod	rod	rod	1	308810-34-00	308810-34-00	308810-34-00
rod		rod	rod	rod	1	308810-35-00	308810-35-00	308810-35-00
rod		rod	rod	rod	1	308810-36-00	308810-36-00	308810-36-00
rod		rod	rod	rod	1	308810-37-00	308810-37-00	308810-37-00
rod		rod	rod	rod	1	308810-38-00	308810-38-00	308810-38-00
rod		rod	rod	rod	1	308810-39-00	308810-39-00	308810-39-00
rod		rod	rod	rod	1	308810-40-00	308810-40-00	308810-40-00

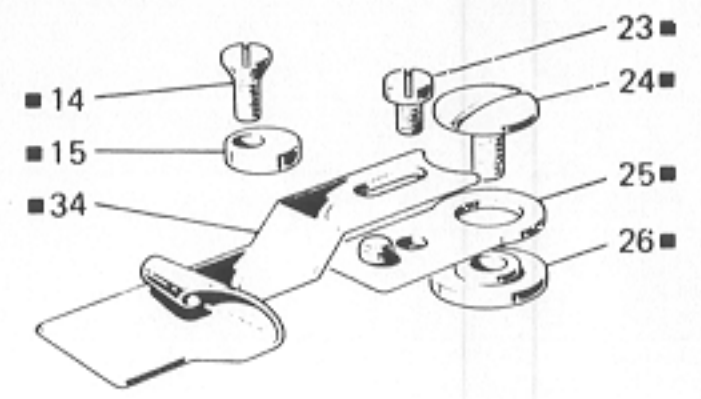
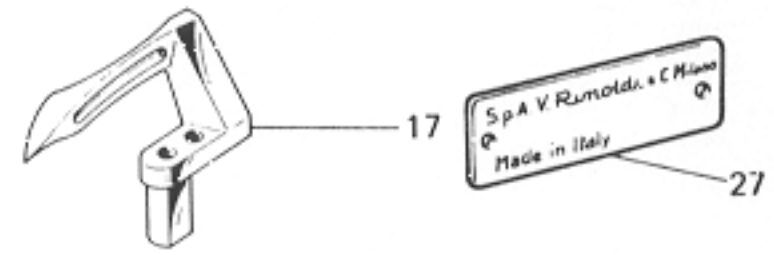
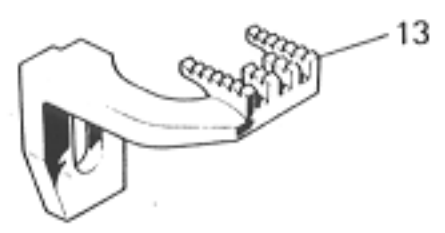
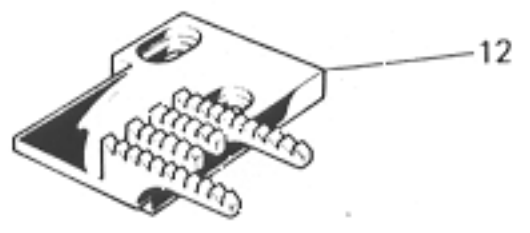
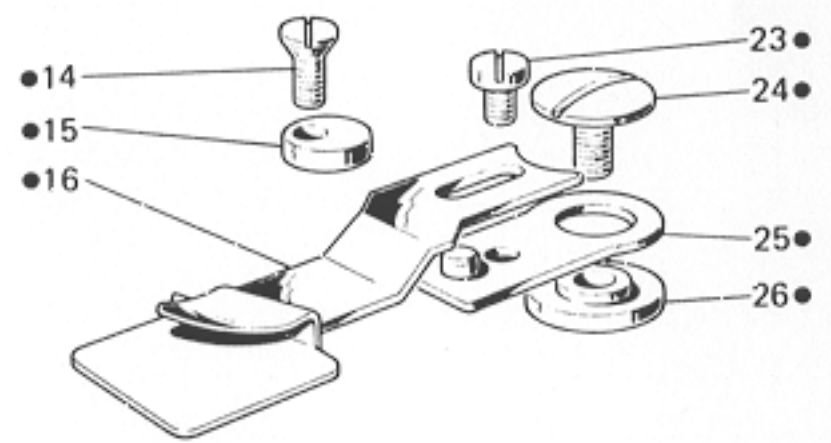
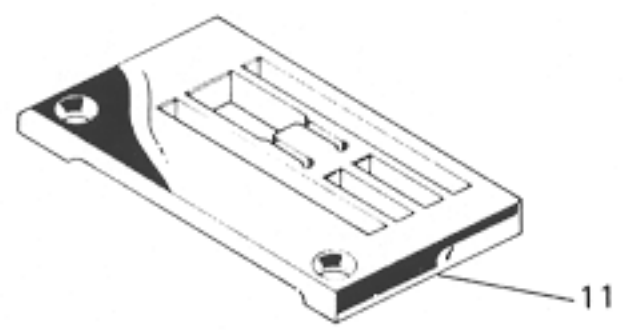
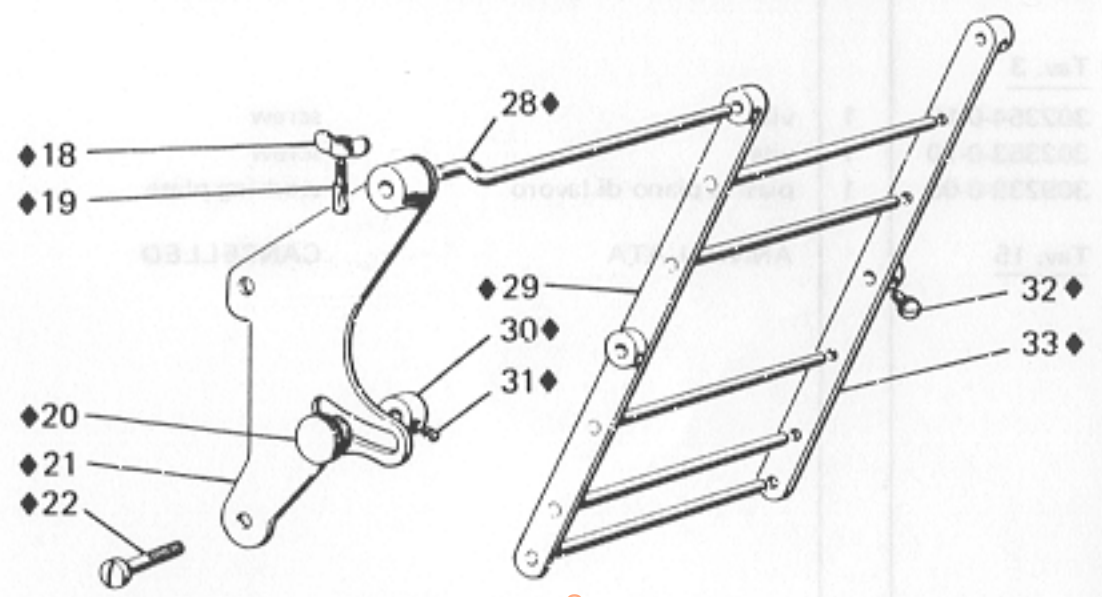
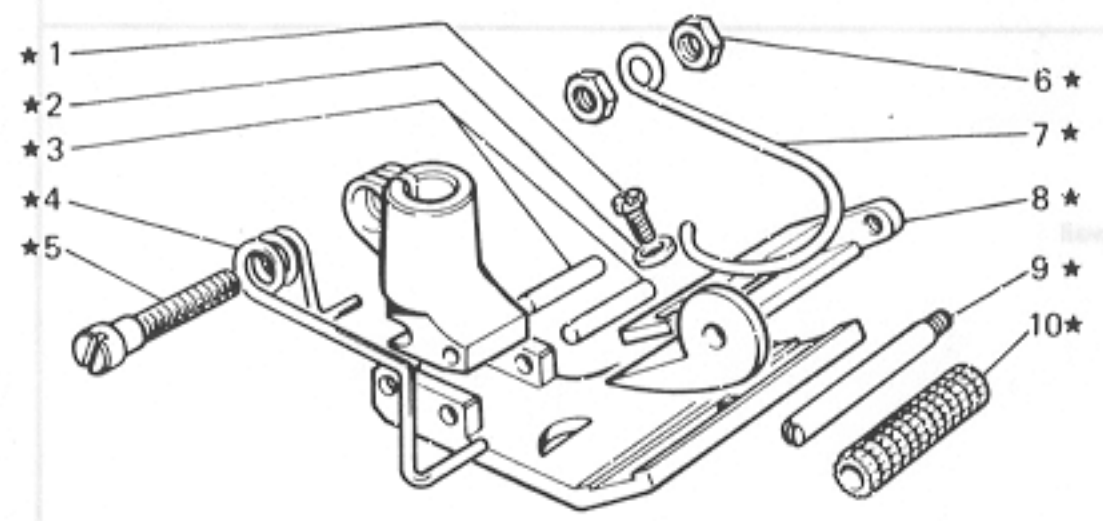


from the library of: Diamond Neer Corp

Fig. N. bb. N.	Part. N. Bestell N. Piece N. Piezs N.	Qt. Anzahl	DESCRIZIONE	DESCRIPTION	DESCRIPTION	BENENNUNG	DESCRIPCION
11 14 37	<p>Tav. 3</p> <p>302354-0-10</p> <p>302353-0-10</p> <p>309239-0-00</p>	1 1 1	<p>vite</p> <p>vite</p> <p>piastra piano di lavoro</p>	<p>screw</p> <p>screw</p> <p>working plate</p>	<p>vis</p> <p>vis</p> <p>plaque plan de travail</p>		
	<p>Tav. 15</p>		<p>ANNULLATA</p>	<p>CANCELLED</p>	<p>ANNUL.EE</p>		

From the library of: Diamond Needle Corp

EV16 53
 (S7-10-3MD-08)
 (S7-38-3MD-03)

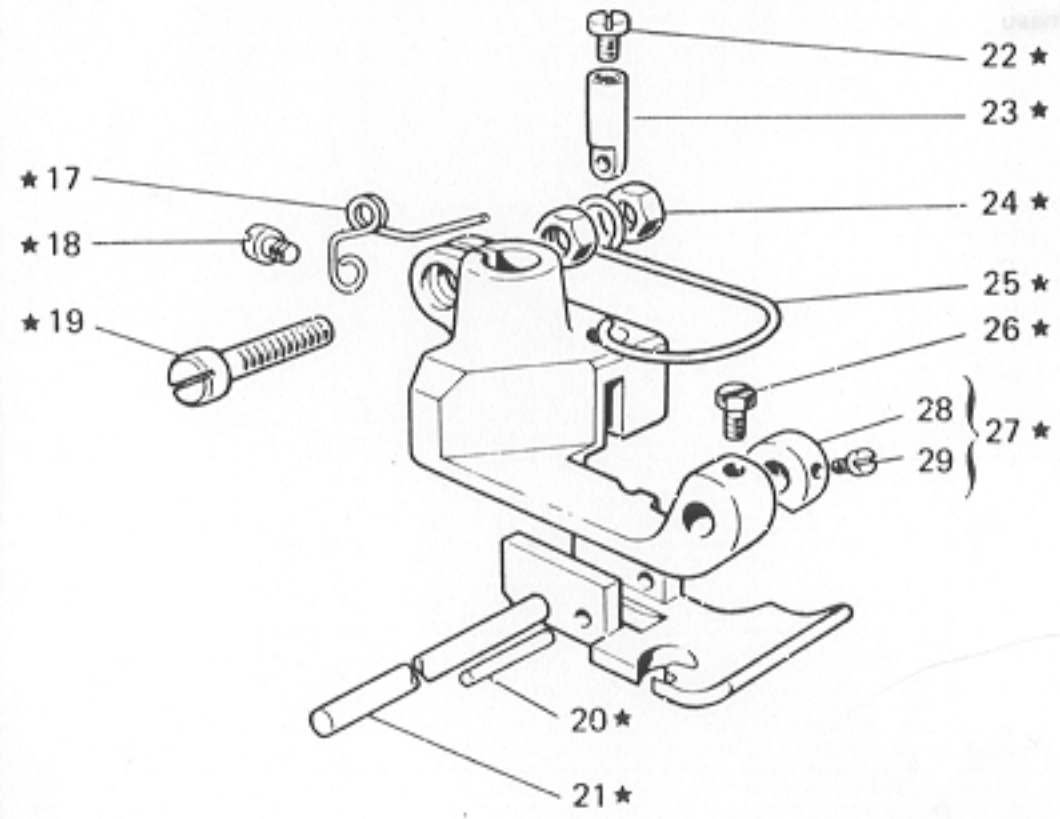
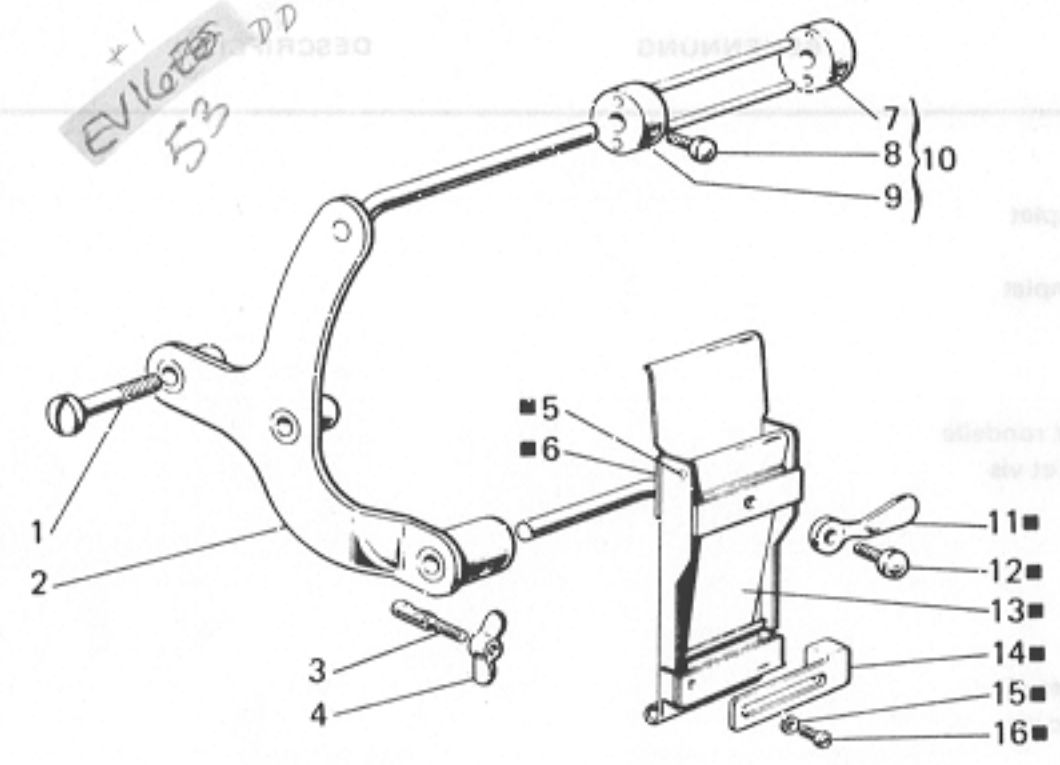


From the library of: Diamond Needle Corp

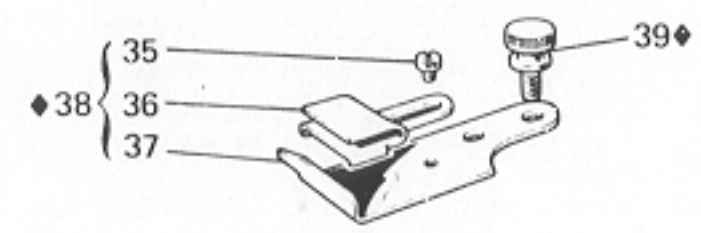
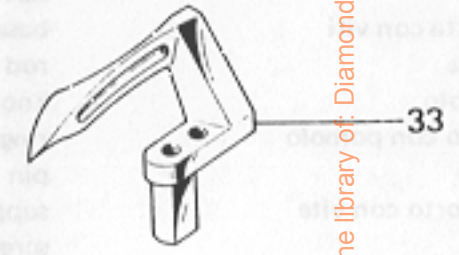
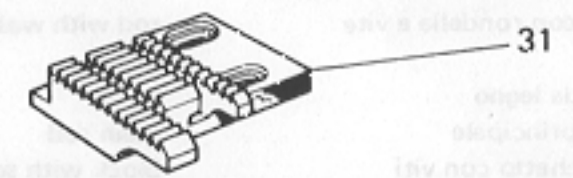
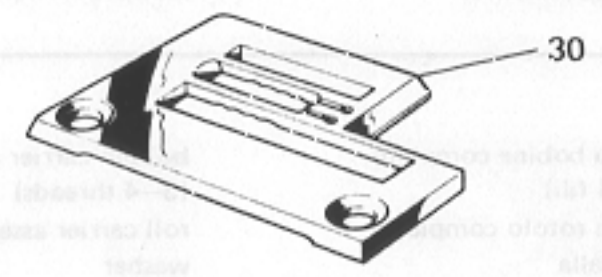
Fig. N. Abb. N.	Part. N. Bestell N. Piece N. Pieza N.	Qt. Anzahl	DESCRIZIONE	DESCRIPTION	DESCRIPTION	BENENNUNG	DESCRIPCION
★	991120-5-00	1	porta bobine completo (3-4 fili)	bobbin carrier assembly (3-4 threads)	porte bobine complet (3-4 fils)		
▲	990650-4-12	1	porta rotolo completo	roll carrier assembly	porte rouleau complet		
1	703005-0-00	3	rondella	washer	rondelle		
2	722431-2-00	3	vite	screw	vis		
3	991108-2-00	2	telaio con bussole	frame with bushes	bâti avec bagues		
4	991107-2-00	1	squadretta con viti e rondelle	bracket with screw and washer	équerre avec vis et rondelle		
5	991106-2-00	1	asta con rondella e vite	rod with washer and screw	tige avec rondelle et vis		
6	729054-2-00	4	vite	screw	vis		
7	731107-2-00	6	vite da legno	screw	vis		
8	991113-0-00	1	asta principale	main rod	tige principale		
9	991128-2-00	1	blocchetto con viti	block with screws	bloc avec vis		
10	729034-2-00	4	vite	screw	vis		
11	991129-3-00	1	mozzo con aste e viti	hub with pins and screw	moyen avec tiges et vis		
12	991121-3-00	1	telaio super. con viti	upper frame with screw	bâti supérieur avec vis		
13	991111-2-00	4	astina con dadi	rod with nut	tige avec écrou		
14	991179-0-00	4	disco	disc	disque		
15	991112-0-00	4	piatto	disc	plateau		
16	733508-2-00	8	dado	nut	écrou		
17	991114-2-00	2	basetta con viti	base with screw	base avec vis		
18	930105-0-10	1	astina	rod	tige		
19	990596-0-10	4	pomolo	knob	pommeau		
20	990594-2-00	4	anello con pomolo	ring with knob	anneau avec pommeau		
21	990593-0-11	2	spina	pin	goupille		
22	991153-2-00	1	supporto con vite	supporto with screw	support avec vis		
23	729024-2-00	2	vite	screw	vis		
24	990592-0-11	1	asta	rod	tige		

From the library of: Diamond Needle Corp

+1
EV1688 DD
53



SpA V. Remolde e C. Milano
Made in Italy



From the library of: Diamond Needle Corp

Fig. N. Abb. N.	Part. N. Bestell N. Pieze N.	N. Anzahl	DESCRIZIONE	DESCRIPTION	DESCRIPTION	BENENNUNG	DESCRIPCION
★	306627-3-00	1	piedino completo	presserfoot assembly	pied-presseur complet		
◆	310032-4-00	1	guida del materiale completa	fabric guide assembly	guide du tissu complète		
▲	930283-4-10	1	dispositivo frenaggio	brake device	dispositif freinage		
■	930310-4-10	1	freno	brake	freinage		
1	930281-0-10	2	vite	screw	vis		
2	930300-3-10	1	sostegno completo	support assembly	support complet		
3	930067-0-10	1	spina filettata	pin	goupille filetée		
4	930136-0-10	1	dado con alette	wing nut	écrou papillon		
5	930117-0-10	1	pernetto	pin	pivot		
6	930307-3-10	1	corpo completo	body assembly	corps complet		
7	930094-0-10	1	morsetto	clamp	porte-aiguille		
8	930096-0-10	2	pomolo	knob	pommeau		
9	930090-2-10	1	morsetto con spina	clamp with pin	porte-aiguille avec goupille		
10	930091-4-10	1	guida	guide	guide		
11	930308-0-10	1	leva	lever	levier		
12	930119-0-10	1	pomolo	knob	pommeau		
13	930112-2-10	1	lamierino	sheet	plaque		
14	930121-0-10	1	cursore	slider	curseur		
15	704104-2-00	1	rondella	washer	rondelle		
16	741519-0-00	1	vite	screw	vis		
17	300119-0-11	1	molta	spring	ressort		
18	721411-2-00	1	vite	screw	vis		
19	741781-2-00	1	vite	screw	vis		
20	300758-0-10	1	spina	pin	goupille		
21	302552-0-11	1	perno	pin	pivot		
22	741414-2-00	1	vite	screw	vis		
23	300757-0-11	1	snodo	knuckle	axe		
24	733504-2-00	2	dado	nut	écrou		
25	990808-0-00	1	salvadita	protection	protection		
26	740210-2-00	1	vite	screw	vis		
27	300673-4-11	1	anello di regolazione con vite	ring with screw	anneau avec vis		
28	300672-0-11	1	anello di regolazione	ring	anneau		
29	741425-2-00	1	vite	screw	vis		
30	301765-0-10	1	placca ago	needle plate	plaque à aiguille		
31	300102-0-10	1	griffa principale	main feed dog	griffe principale		
32	300104-0-10	1	griffa differenziale	differential feed dog	griffe différentielle		
33	302057-0-11	1	crochet inferiore	lower looper	crochet inférieur		
34	784300-0-20	1	targhetta classe testa	head class plate	plaque classe tête		
35	742302-4-00	1	vite	screw	vis		
36	301035-2-10	1	guida del materiale	guide	guide		
37	302583-0-10	1	guida	guide	guide		
38	302584-4-10	1	guida completa	guide assembly	guide complète		
39	300917-0-10	2	pomolo	knob	pommeau		
40	930105-0-10	1	astina	rod	tige		

Fig. N. Abb. N.	Part. N. Bestell. N. Piece N. Pieza N.	Qt. Anzahl	DESCRIZIONE	DESCRIPTION	DESCRIPTION	BENENNUNG	DESCRIPCION
37	<u>Tav. 3</u> 309230-0-00	1	piastra piano di lavoro	working plate	plaque plan de travail		
74	<u>Tav. 4</u> 740251-0-00	1	vite per settore differenziale	screw	vis		
75	746002-2-00	1	dado per settore differenziale	nut	écrou		
			PEZZI ANNULLATI	CANCELLED PARTS	PIECES ANNULEES		
11	<u>Tav. 3</u> 302354-0-10	2	vite superiore	upper screw	vis supérieur		
31	<u>Tav. 15</u> 991322-4-00	1	porta rotolo completo	roller carrier assembly	porte-rouleau complet		

From the library of: Diamond Needle Corp

TAV. 4

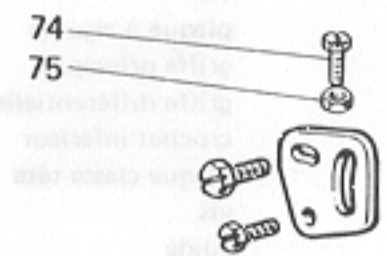


Fig. N. Abb. N.	Part. N. Bestell N. Piece N. Pieza N.	Qt. Anzahi	DESCRIZIONE	DESCRIPTION	DESCRIPTION	BENENNUNG	DESCRIPCION
	<u>Tav. 3</u>						
11	302354-0-10	1	vite superiore	upper screw	vis supérieur		
14	302353-0-10	1	vite inferiore	lower screw	vis inférieur		
37	309239-0-00	1	piastra piano di lavoro	working plate	plaque plan de travail		
	<u>Tav. 8</u>						
▲	309807-4-00	1	morsetto porta aghi completo	needle clamp assembly	porte-aiguilles complet		
30	309757-2-00	1	morsetto porta aghi	needle clamp	porte-aiguilles		
32	766000-6-90	2	ago sist. Rim 63 fin. 90	needle syst. Rim 63 size 90	aiguille syst. Rim 63 jauge 90		
	<u>Tav. 15</u>						
★	990629-4-12	1	porta rotolo super. completo	upper roll carrier assembly	porte rouleau supérieur complet		
31	991322-4-00	1	porta rotolo completo	roll carrier assembly	porte rouleau complet		
			PEZZI ANNULLATI	CANCELLED PARTS	PIECES ANNULEES		

From the library of: Diamond Needle Corp

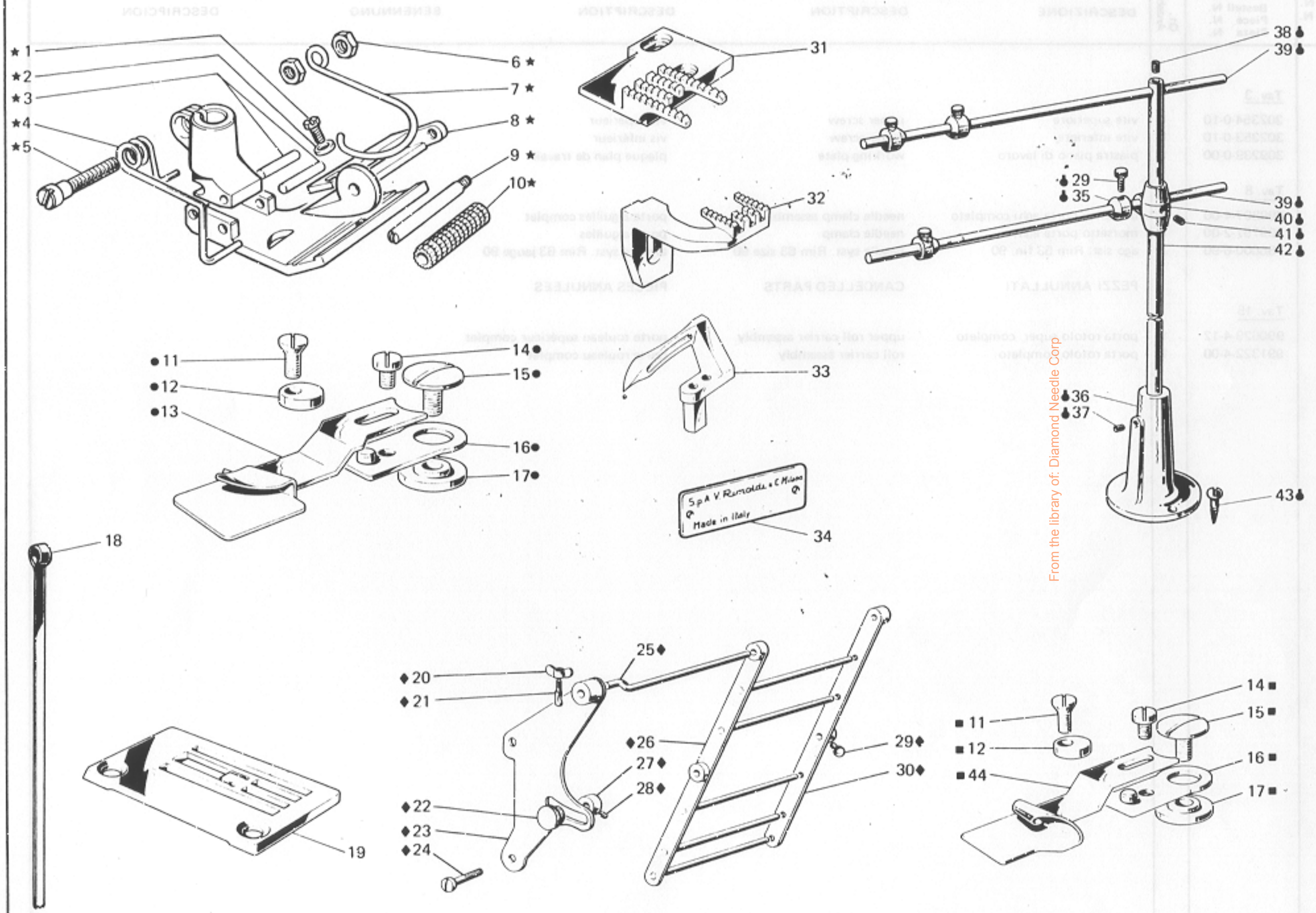


Fig. N. Abb.	Part. N. Piece N. Bestell N. Pieza N.	Qt. Anzahl	DESCRIZIONE	DESCRIPTION	DESCRIPTION	BENENNUNG	DESCRIPCION
★	306641-3-00	1	pieдино completo	presserfoot assembly	pieд-resseur complet		
●	300785-4-10	1	guida del materiale completa	fabric guide assembly	guide du tissu complete		
◆	930802-4-00	1	dispositivo frenaggio	brake device	disp. freinage		
●	990650-4-12	1	porta rotolo	roll carrier	porte-rouleau		
1	740210-2-00	1	vite	screw	vis		
2	704104-2-00	1	rondella	washer	rondelle		
3	706471-0-00	2	spina	pin	goupille		
4	300759-0-10	1	molla	spring	ressort		
5	743285-2-00	1	vite	screw	vis		
6	733504-2-00	2	dado	nut	écrou		
7	990808-0-00	1	salvadita	protection	protection		
8	300748-0-11	1	guida	guide	guide		
9	300765-0-10	1	spina	pin	goupille		
10	300762-0-11	1	rullino	roller	rouleau		
11	744634-0-00	2	vite	screw	vis		
12	300710-0-10	2	rondella eccentrica	eccentric washer	rondelle excentrique		
13	300781-2-10	1	guida	guide	guide		
14	741913-4-00	2	vite	screw	vis		
15	300406-0-10	2	vite	screw	vis		
16	300686-2-10	2	supporto	support	support		
17	300683-0-10	2	rondella distanziale	washer	rondelle		
18	930105-0-10	1	astina	rod	tige		
19	302643-0-10	1	placca ago	needle plate	plaque aiguille		
20	930136-0-10	1	dado con alette	wing nut	écrou papillon		
21	930067-0-10	1	spina	pin	goupille		
22	930120-0-10	1	pomolo	knob	pommeau		
23	930801-2-00	1	piastra	plate	plaque		
24	930281-0-11	2	vite	screw	vis		
25	930288-0-10	2	asta	rod	tige		
26	930109-3-10	1	telaio	frame	bâti		
27	930092-0-10	1	cursore	slider	curseur		
28	727026-0-00	3	vite	screw	vis		
29	990596-0-10	6	pomolo	knob	pommeau		
30	930114-2-10	1	guida	guide	guide		
31	302637-0-11	1	griffa principale	main feed dog	griffe principale		
32	302640-0-10	1	griffa differenziale	differential feed dog	griffe différentielle		
33	302057-0-11	1	crochet inferiore	lower looper	crochet inférieur		
34	784300-0-20	1	targhetta classe testa	head class plate	plaque class tête		
35	990594-2-00	4	anello con pomolo	ring with knob	anneau avec pommeau		
36	991114-2-00	1	basetta con viti	base with screw	base avec vis		
37	729054-2-00	1	vite	screw	vis		
38	729034-2-00	1	vite	screw	vis		
39	990593-0-11	2	spina	pin	goupille		
40	991153-2-00	1	supporto con viti	support with screw	support avec vis		
41	729024-2-00	2	vite	screw	vis		
42	990592-0-11	1	asta	rod	tige		
43	731107-2-00	3	vite da legno	screw	vis		
			SOLO A RICHIESTA	ONLY ON REQUEST	SEULEMENT SUR DEMANDE		
■	301051-4-10	1	guida del materiale completa	fabric guide assembly	guide du tissu complete		
44	301041-2-10	1	guida	guide	guide		

From the library of: Diamond Needle Corp